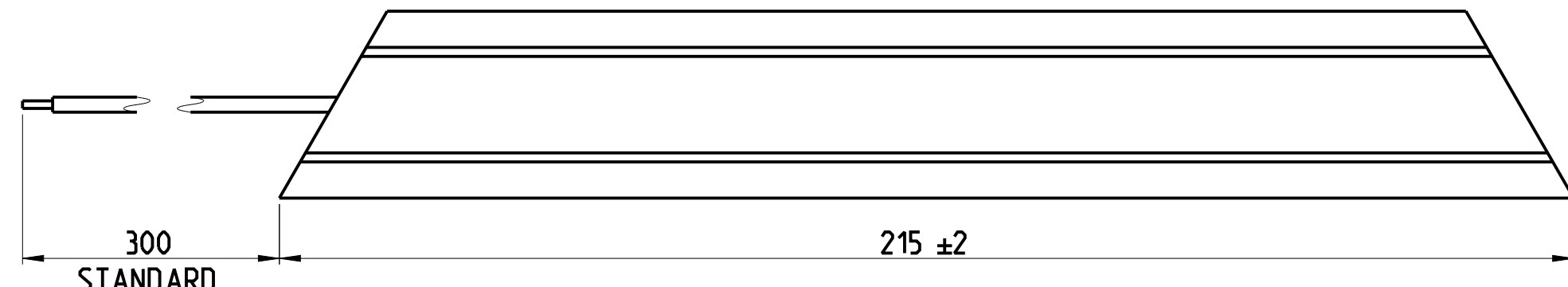
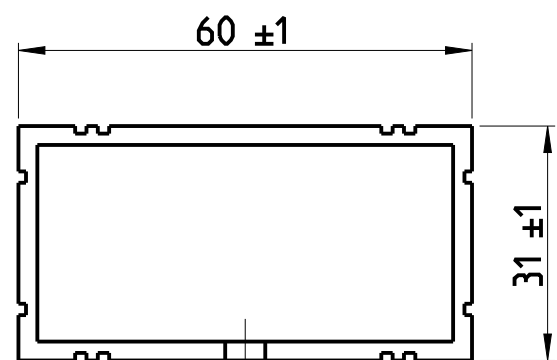
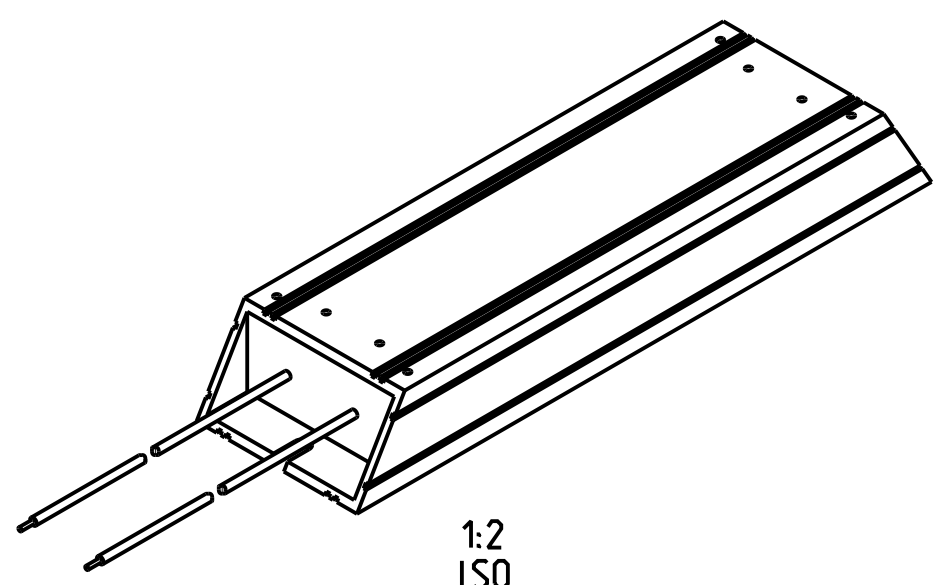
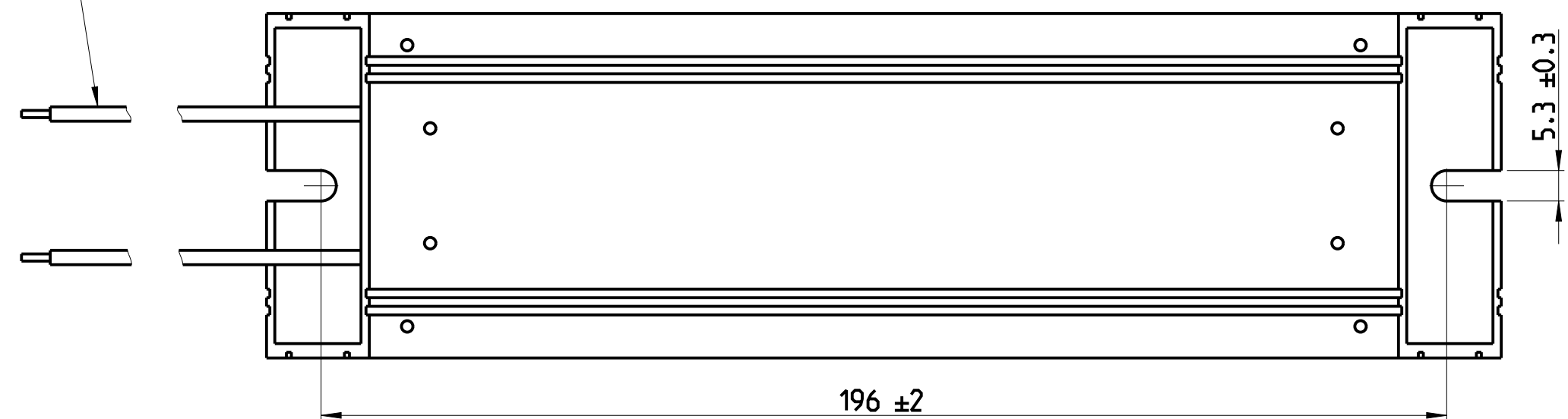


REVISIONS

| P | LTR | DESCRIPTION | DATE | DWN | APVD |
|---|-----|-----------------|-----------|-----|------|
| | A | INITIAL RELEASE | 06FEB2021 | SR | AP |
| | | | | | |
| | | | | | |



PTFE INSULATED CABLE



1:2
ISO



| | | | | |
|--|--|--------------------------|---|--|
| THIS DRAWING IS A CONTROLLED DOCUMENT. | | DWN SUPREETH R 06FEB2021 | | |
| | | CHK A. PILE 06FEB2021 | | |
| | | APVD A. PILE 06FEB2021 | NAME Aluminium Housed Breaking Resistor Type HCH215 | |
| DIMENSIONS: mm | | PRODUCT SPEC - | RESTRICTED TO - | |
| TOLERANCES UNLESS OTHERWISE SPECIFIED: | | APPLICATION SPEC - | | |
| 0 PLC ± | | WEIGHT - | SIZE A3 | |
| 1 PLC ± | | CAGE CODE 00779 | | |
| 2 PLC ± | | DRAWING NO C-2176464 | | |
| 3 PLC ± | | SCALE 1:1 | | |
| 4 PLC ± | | SHEET 1 OF 2 | | |
| ANGLES ± | | REV A | | |
| FINISH - | | CUSTOMER DRAWING | | |
| MATERIAL - | | | | |

REVISIONS

| P | LTR | DESCRIPTION | DATE | DWN | APVD |
|---|-----|-------------|------|-----|------|
| - | | SEE SHEET 1 | - | - | - |
| | | | | | |
| | | | | | |

SCHEDULE

| TCPN | PRODUCT NUMBER | MATERIAL DESCRIPTION | LEAD LENGTH |
|-----------|----------------|--------------------------|-------------|
| 2176464-1 | HCH215J6R8J | HCH215 300W 6R8 5% LEAD | 300mm |
| 2176464-2 | HCH215J10RJ | HCH215 300W 10R 5% LEAD | 300mm |
| 2176464-3 | HCH215J22RJ | HCH215 300W 22R 5% LEAD | 300mm |
| 2176464-4 | HCH215J33RJ | HCH215 300W 33R 5% LEAD | 300mm |
| 2176464-5 | HCH215J47RJ | HCH215 300W 47R 5% LEAD | 300mm |
| 2176464-6 | HCH215J68RJ | HCH215 300W 68R 5% LEAD | 300mm |
| 2176464-7 | HCH215J82RJ | HCH215 300W 82R 5% LEAD | 300mm |
| 2176464-8 | HCH215J100RJ | HCH215 300W 100R 5% LEAD | 300mm |
| 2176464-9 | HCH215J220RJ | HCH215 300W 220R 5% LEAD | 300mm |

| | | | | |
|---|--|--------------------------------|---|-------------------------|
| THIS DRAWING IS A CONTROLLED DOCUMENT. | | DWN SUPREETH R 06FEB2021 |  | |
| DIMENSIONS: mm | | CHK A. PILE 06FEB2021 | | |
| TOLERANCES UNLESS OTHERWISE SPECIFIED: | | APVD A. PILE 06FEB2021 | NAME Aluminium Housed Breaking Resistor Type HCH215 | |
|  | | PRODUCT SPEC - | RESTRICTED TO - | |
| MATERIAL - | | FINISH - | APPLICATION SPEC - | SIZE A3 |
| | | WEIGHT - | CAGE CODE 00779 | DRAWING NO C-2176464 |
| CUSTOMER DRAWING | | | SCALE 1:1 | SHEET 2 OF 2 |
| | | | REV A | |

X-ON Electronics

Largest Supplier of Electrical and Electronic Components

Click to view similar products for [Wirewound Resistors - Chassis Mount](#) category:

Click to view products by [TE Connectivity](#) manufacturer:

Other Similar products are found below :

[HD300HLR71J](#) [RER50F18R7RC02](#) [RER50F7R50RC02](#) [RER75F4991MC02](#) [RH0055R000FC02W09](#) [2-1623821-6](#) [FVT200-500](#)
[RDSF010015R00JDBNI](#) [RER60F34R8RC02](#) [RER60F51R1MC0230](#) [RER65F1R50PC02](#) [RER70F62R5PC02](#) [VK100NA-200](#) [VK100NA-50](#)
[VK100NA-750](#) [40/70MJ2K00BE](#) [VP10FA-3K](#) [VP50KA-20K](#) [VPR10F1](#) [VPR10F-13.5K](#) [VPR10F-4500](#) [VPR10F-4.5K](#) [VPR10F-4K](#)
[VPR10F-700](#) [VPR10F-7.5K](#) [VPR20H150](#) [VPR5F-22.5K](#) [L75J1K0E](#) [VRH320 3K3 K](#) [RER65F2940PC02](#) [RER65F4R99RC02](#)
[RER75F1R00RC02](#) [RER65FR100RC02](#) [RER70F27R4P](#) [VPR5F-600](#) [VPR5F250](#) [VPR10F-8K](#) [VPR10F-6K](#) [VPR10F225](#) [VPR10F-1.75K](#)
[VPR10F-1.25K](#) [VPR10F-125](#) [VPR10F10](#) [VP50KA-12K](#) [VP50KA-100K](#) [VP25KA-5000](#) [VK100NA250](#) [VK100NA-15](#) [850J5R0E-B](#)
[L100J150E-MT1](#)