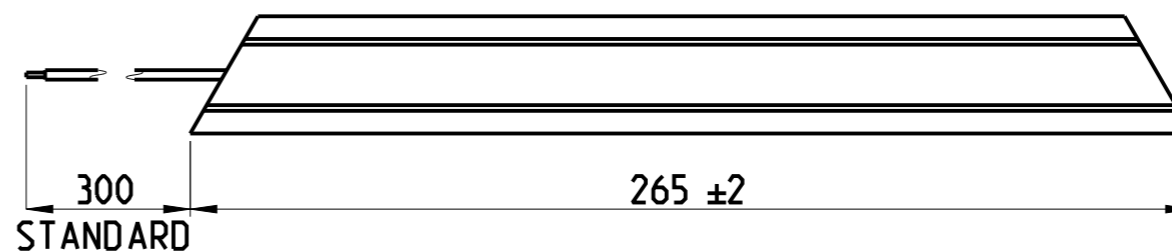
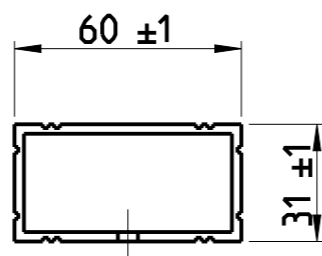
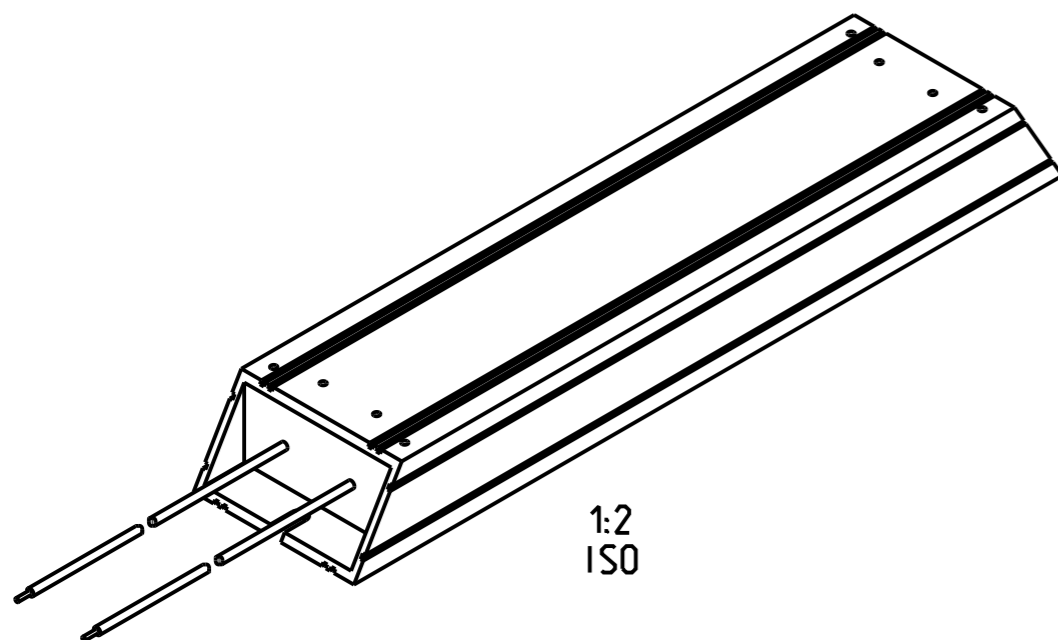
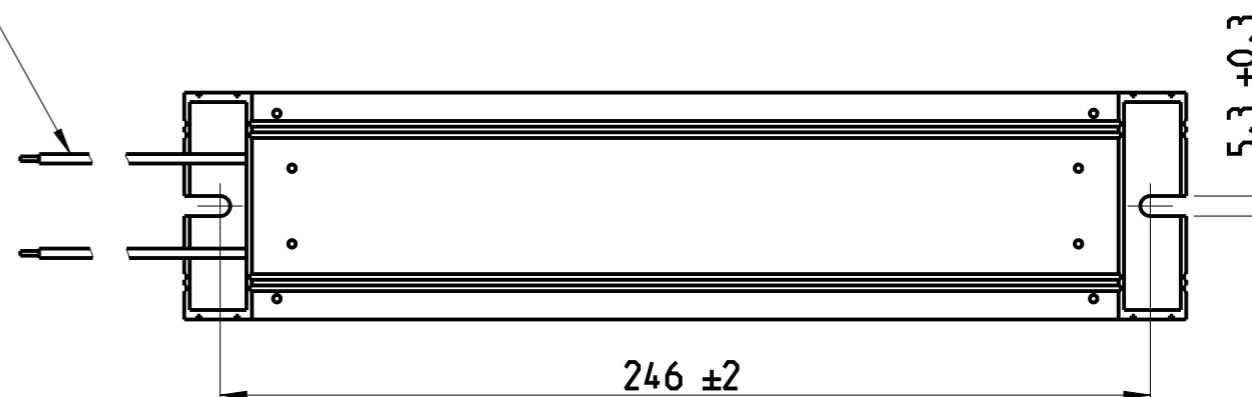


REVISIONS

P	LTR	DESCRIPTION	DATE	DWN	APVD
	A	INITIAL RELEASE	06FEB2021	SR	AP



PTFE INSULATED CABLE




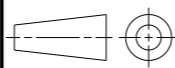
THIS DRAWING IS A CONTROLLED DOCUMENT.		DWN SUPREETH R 06FEB2021		
		CHK A. PILE 06FEB2021		
		APVD A. PILE 06FEB2021	NAME Aluminium Housed Breaking Resistor Type HCH265	
DIMENSIONS: mm		PRODUCT SPEC -	RESTRICTED TO -	
TOLERANCES UNLESS OTHERWISE SPECIFIED:		APPLICATION SPEC -		
0 PLC ±		WEIGHT -	SIZE A3	CAGE CODE 00779
1 PLC ±			DRAWING NO C-2176465	
2 PLC ±				
3 PLC ±				
4 PLC ±				
ANGLES ±				
FINISH -				
MATERIAL -				
		CUSTOMER DRAWING	SCALE 1:2	SHEET 1 OF 2
			REV A	

REVISIONS

P	LTR	DESCRIPTION	DATE	DWN	APVD
-		SEE SHEET 1	-	-	-

SCHEDULE

TCPN	PRODUCT NUMBER	MATERIAL DESCRIPTION	LEAD LENGTH
2176465-1	HCH265J10RJ	HCH265 400W 10R 5% LEAD	300mm
2176465-2	HCH265J22RJ	HCH265 400W 22R 5% LEAD	300mm
2176465-3	HCH265J33RJ	HCH265 400W 33R 5% LEAD	300mm
2176465-4	HCH265J47RJ	HCH265 400W 47R 5% LEAD	300mm
2176465-5	HCH265J68RJ	HCH265 400W 68R 5% LEAD	300mm
2176465-6	HCH265J82RJ	HCH265 400W 82R 5% LEAD	300mm
2176465-7	HCH265J100RJ	HCH265 400W 100R 5% LEAD	300mm
2176465-8	HCH265J220RJ	HCH265 400W 220R 5% LEAD	300mm

THIS DRAWING IS A CONTROLLED DOCUMENT.		DWN SUPREETH R	06FEB2021	 TE Connectivity	
DIMENSIONS: mm		CHK A. PILE	06FEB2021		
		APVD A. PILE	06FEB2021	NAME Aluminium Housed Breaking Resistor Type HCH265	
TOLERANCES UNLESS OTHERWISE SPECIFIED:		PRODUCT SPEC		RESTRICTED TO	
0 PLC ±		-		-	
1 PLC ±		-		-	
2 PLC ±		-		-	
3 PLC ±		-		-	
4 PLC ±		-		-	
ANGLES ±		-		-	
MATERIAL		APPLICATION SPEC		SIZE	CAGE CODE
-		-		A3	00779
FINISH		WEIGHT		DRAWING NO	
-		-		C-2176465	
		CUSTOMER DRAWING		SCALE	SHEET
				1:1	2 OF 2
				REV	A

X-ON Electronics

Largest Supplier of Electrical and Electronic Components

Click to view similar products for [Wirewound Resistors - Chassis Mount](#) category:

Click to view products by [TE Connectivity](#) manufacturer:

Other Similar products are found below :

[HD300HLR71J](#) [RER50F18R7RC02](#) [RER50F7R50RC02](#) [RER75F4991MC02](#) [RH0055R000FC02W09](#) [2-1623821-6](#) [FVT200-500](#)
[RDSF010015R00JDBNI](#) [RER60F34R8RC02](#) [RER60F51R1MC0230](#) [RER65F1R50PC02](#) [RER70F62R5PC02](#) [VK100NA-200](#) [VK100NA-50](#)
[VK100NA-750](#) [40/70MJ2K00BE](#) [VP10FA-3K](#) [VP50KA-20K](#) [VPR10F1](#) [VPR10F-13.5K](#) [VPR10F-4500](#) [VPR10F-4.5K](#) [VPR10F-4K](#)
[VPR10F-700](#) [VPR10F-7.5K](#) [VPR20H150](#) [VPR5F-22.5K](#) [L75J1K0E](#) [VRH320 3K3 K](#) [RER65F2940PC02](#) [RER65F4R99RC02](#)
[RER75F1R00RC02](#) [RER65FR100RC02](#) [RER70F27R4P](#) [VPR5F-600](#) [VPR5F250](#) [VPR10F-8K](#) [VPR10F-6K](#) [VPR10F225](#) [VPR10F-1.75K](#)
[VPR10F-1.25K](#) [VPR10F-125](#) [VPR10F10](#) [VP50KA-12K](#) [VP50KA-100K](#) [VP25KA-5000](#) [VK100NA250](#) [VK100NA-15](#) [850J5R0E-B](#)
[L100J150E-MT1](#)