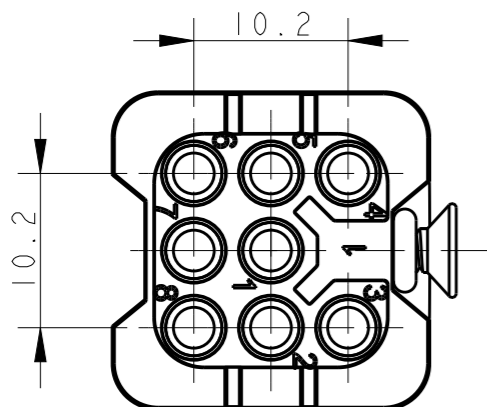


THIS DRAWING IS UNPUBLISHED. RELEASED FOR PUBLICATION 20
 © COPYRIGHT 20 BY - ALL RIGHTS RESERVED.

REVISIONS

P	LTR	DESCRIPTION	DATE	DWN	APVD
	A	INITIAL RELEASE	16DEC2014	HMR	CW
	B	ECR-15-013292	16SEP2015	DL	CW
	B1	ECR-16-009730	06JUL2016	BS	CW



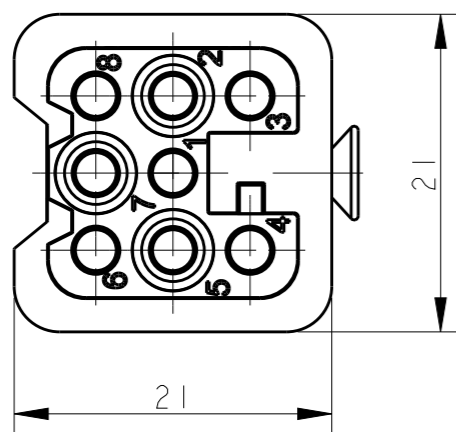
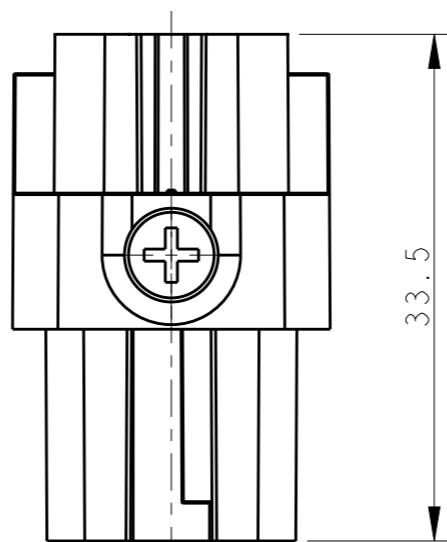
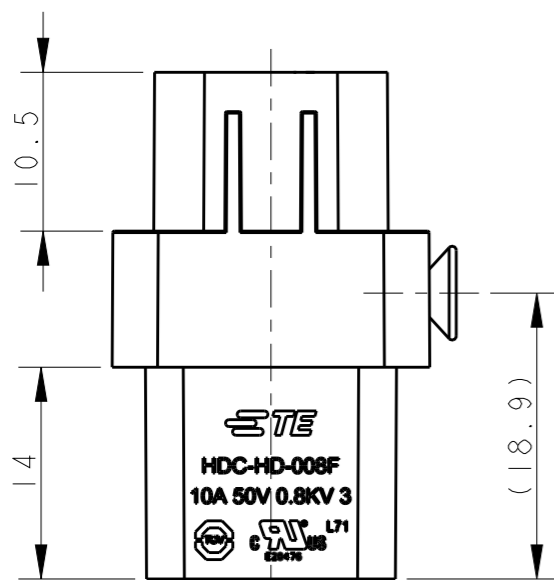
M3 SCREW
 RECOMMENDED TIGHTENING
 TORQUE 0.5Nm

NOTES:

- TECHNICAL CHARACTERISTICS:
 INSULATION MATERIAL: PBT
 RATED VOLTAGE: 50 V
 RATED CURRENT: 10 A
 INSULATION RESISTANCE: $\geq 400M\Omega$
 RATED IMPULSE VOLTAGE: 0.8 KV
 POLLUTION DEGREE: 3
 FLAMMABILITY: UL94V-0
 MATING CYCLES: 500 CYCLES
 WIRE RANGE: 0.14-2.5 mm² (26-14 AWG)
 CONTACT TYPE: CRIMP CONTACT
- CONTACT NEED TO BE ORDERED SEPARATELY.
 (ORDER No. REFER TO DRAWING:T20200X20XX000)

注释:

- 技术参数:
 绝缘材料: PBT
 额定电压: 50V
 额定电流: 10A
 绝缘电阻: $\geq 400M\Omega$
 额定脉冲电压: 0.8 KV
 污染等级: 3
 阻燃等级: UL94V-0
 插拔次数: 500次
 接线范围: 0.14-2.5 mm² (26-14 AWG)
 接线类型: 冷压接
- 端子需要单独订购.
 (订货号参考图面: T20200X20XX000)



T2020082201-001	HD-008-F HD-008母插(不锈钢螺丝)
T2020082201-000	HD-008-F HD-008母插
PART NUMBER 料号	DESCRIPTION 描述

DIMENSIONS:		TOLERANCES UNLESS OTHERWISE SPECIFIED:		APPROVALS		TE Connectivity	
mm		0 PLC	±-	DWN	16DEC2014		
		1 PLC	±-	CHK	16DEC2014		
		2 PLC	±-	CHRIS WANG			
		3 PLC	±-	APVD	16DEC2014		
		4 PLC	±-	XU XIANG			
MATERIAL		ANGLES	±-	PRODUCT SPEC	108-137042	NAME HD-008-F	
-		FINISH	-	APPLICATION SPEC	114-137042	SIZE	A3
-			-	WEIGHT	-	CAGE CODE	-
CUSTOMER DRAWING				SCALE		DRAWING NO	RESTRICTED TO
				2:1		©-T2020082201000	-
				SHEET		REV	B1
				1 OF 1			

X-ON Electronics

Largest Supplier of Electrical and Electronic Components

Click to view similar products for [Headers & Wire Housings](#) category:

Click to view products by [TE Connectivity](#) manufacturer:

Other Similar products are found below :

[95000-104TRLF](#) [10135584-644402LF](#) [DF62W-EP2022PCA](#) [95000-106TRLF](#) [DF62W-2022SCA](#) [48050-002LF](#) [DF62W-EP2022PC](#) [2203348](#)
[DF62W-2022SC](#) [1084018](#) [1029039](#) [1084017](#) [802-10-012-10-002000](#) [1112640](#) [1112639](#) [891-007-9SS-BST1T](#) [000-34000](#) [0008550134](#)
[0009482033](#) [0009507031](#) [0009524054](#) [57102-F02-18ULF](#) [57102-S06-03LF](#) [57202-S52-04LF](#) [PCN6-15S-2.5E](#) [0039019024](#) [58102-G61-](#)
[06LF](#) [582553-1](#) [0009485154](#) [0009508121](#) [0022285053](#) [0050291907](#) [018731A](#) [LY20-4P-DT1-P1E-BR](#) [02.125.8002.8](#) [60101931](#) [60598-1](#)
[\(Cut Strip\)](#) [M1625-3R/100](#) [61062-3](#) [61082-181009](#) [632209-000](#) [636-1427](#) [638009-1](#) [641938-9](#) [641991-4](#) [644168-1](#) [644827-2](#) [647662-1](#)
[65039-019ELF](#) [65692-001LF](#)