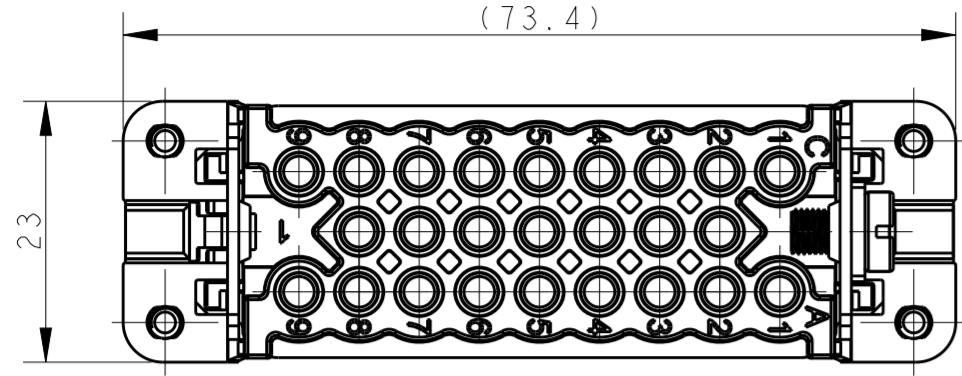


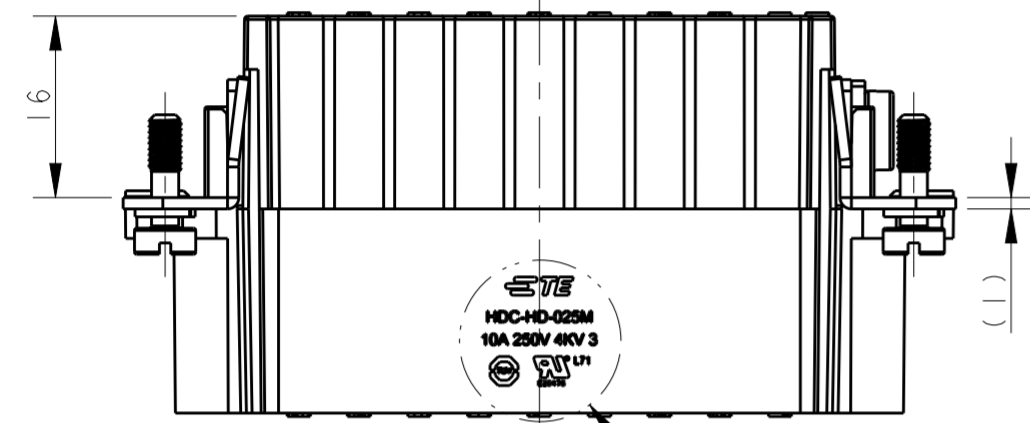
THIS DRAWING IS UNPUBLISHED. RELEASED FOR PUBLICATION 20
 © COPYRIGHT 20 BY - ALL RIGHTS RESERVED.

REVISIONS					
P	LTR	DESCRIPTION	DATE	DWN	APVD
A		INITIAL RELEASE	16DEC2014	HMR	CW
B		ECR-15-013292	24SEP2015	DL	CW
BI		ECR-16-011552	11AUG2016	QY	CW

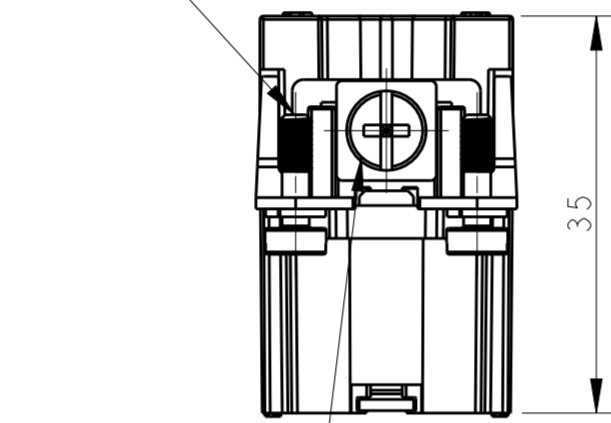
TYPT-1 / 类型-1



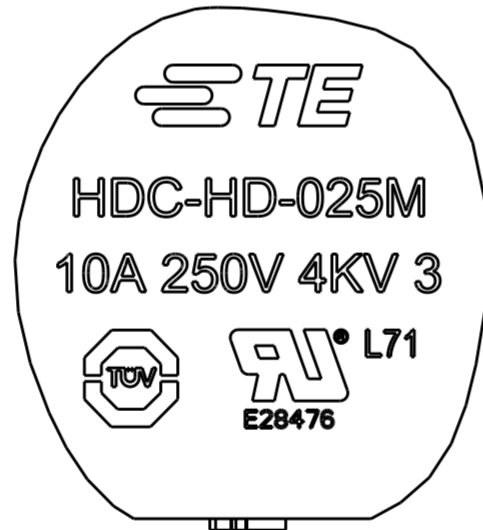
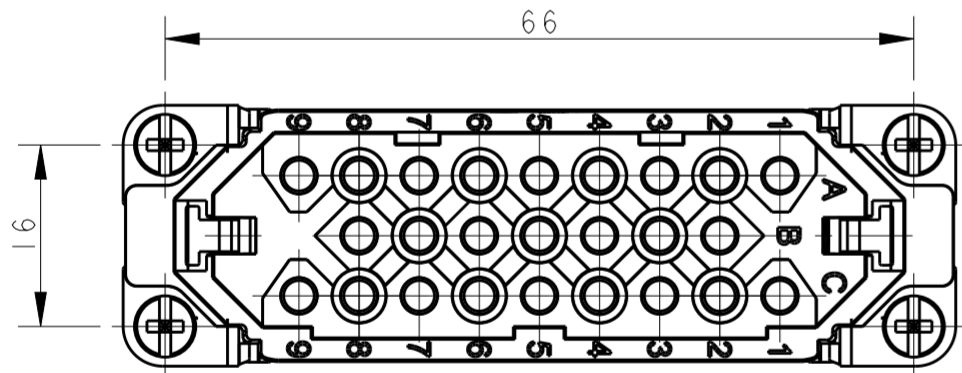
4X M3 SCREW
 RECOMMENDED TIGHTENING TORQUE 0.5Nm
 4X M3螺丝
 推荐锁紧力矩0.5Nm



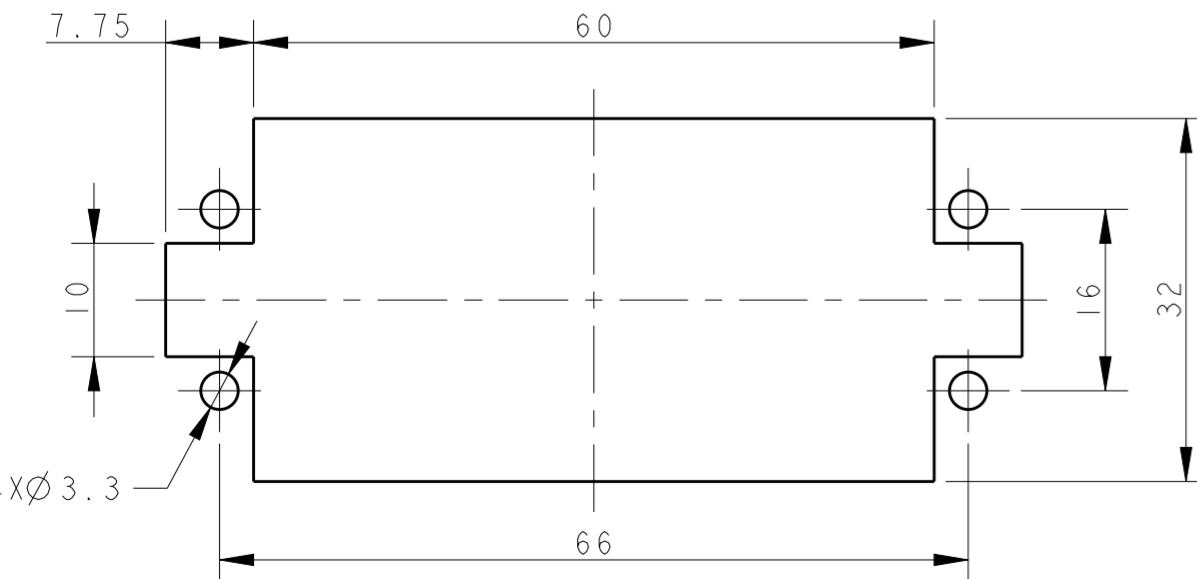
DETAIL C



M4 SCREW
 RECOMMENDED TIGHTENING TORQUE 1.2Nm
 M4螺丝
 推荐锁紧力矩1.2Nm

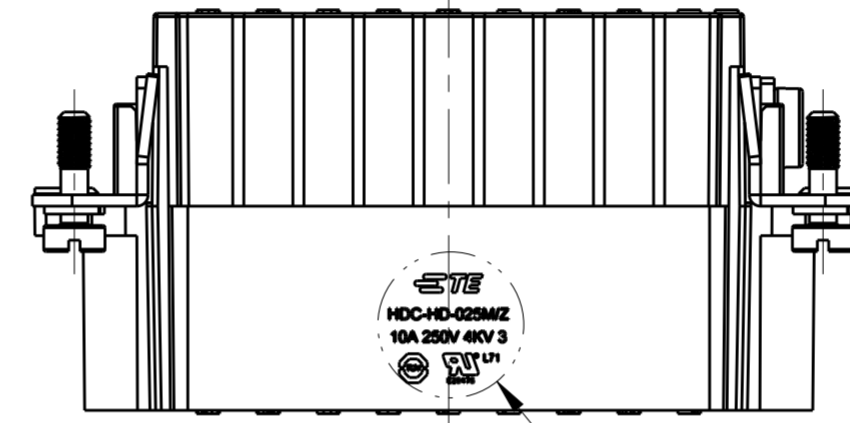
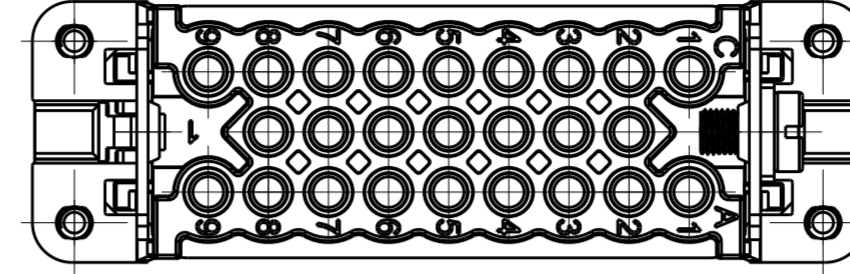


DETAIL C SCALE 5:1

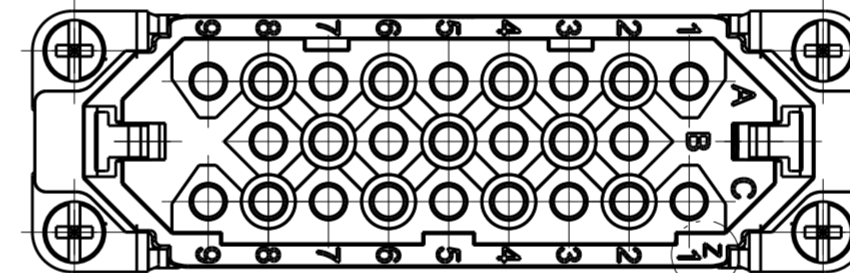


PANEL CUT OUT FOR INSERTS FOR USE WITHOUT HOODS/HOUSINGS

TYPT-2 / 类型-2

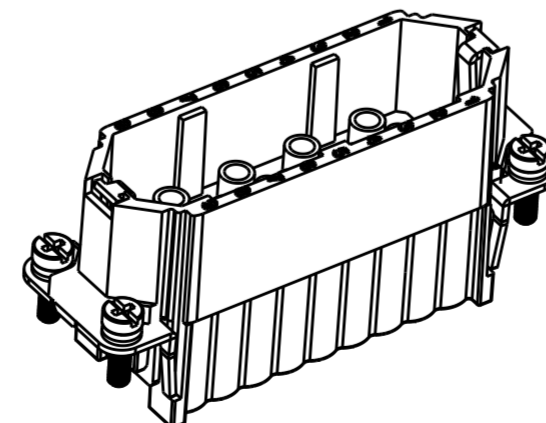


DETAIL A



DETAIL B

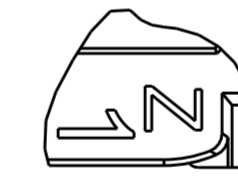
NOTE: TYPE-2 ALL THE DIMENSIONS ARE THE SAME WITH TYPE-1 EXCEPT THE LASER PRINT MARKINGS
 提示: 类型-2的所有尺寸与类型-1一致, 除了激光打标不一样, 详见视图



SCALE 1:1

- NOTES:
- TECHNICAL CHARACTERISTICS:
 INSULATION MATERIAL: PC
 RATED VOLTAGE: 250 V
 RATED CURRENT: 10 A
 INSULATION RESISTANCE: >=400MΩ
 RATED IMPULSE VOLTAGE: 4 KV
 POLLUTION DEGREE: 3
 FLAMMABILITY: UL94V-0
 MATING CYCLES: 500 CYCLES
 WIRE RANGE: 0.14-2.5 mm² (26-14 AWG)
 CONTACT TYPE: CRIMP CONTACT
 - CONTACT NEED TO BE ORDERED SEPARATELY.
 (ORDER No. REFER TO DRAWING: T20200X10XX000)

- 注释:
- 技术参数:
 绝缘材料: PC
 额定电压: 250V
 额定电流: 10A
 绝缘电阻: >=400MΩ
 额定脉冲电压: 4 KV
 污染等级: 3
 阻燃等级: UL94V-0
 插拔次数: 500次
 接线范围: 0.14-2.5 mm² (26-14 AWG)
 接线类型: 冷压接
 - 端子需要单独订购。
 (订货号参考图面: T20200X10XX000)



DETAIL B SCALE 5:1



DETAIL A SCALE 5:1

T2020252101-Z00	HD-025-M/Z	HD-025 MALE INSERT(Z) HD-025公插(Z)	TYPE-2 类型-2
T2020252101-000	HD-025-M	HD-025 MALE INSERT HD-025公插	TYPE-1 类型-1
PART NUMBER 料号	PART DESCRIPTION 描述		TYPE 类型

DIMENSIONS:		TOLERANCES UNLESS OTHERWISE SPECIFIED:		DWN 16DEC2014 RAGHAVENDRA H M		APVD 16DEC2014 XU XIANG		NAME HD-025-M	
mm		0 PLC ±	±	1 PLC ±	±	2 PLC ±	±	3 PLC ±	±
		4 PLC ±	±	ANGLES ±	±	FINISH		SIZE A2	CAGE CODE -
MATERIAL	TBD					PRODUCT SPEC 108-137042		DRAWING NO. C-T2020252101000	RESTRICTED TO -
						APPLICATION SPEC 114-137042		SCALE 3:2	SHEET 1 OF 1
						WEIGHT -		REV B1	
						CUSTOMER DRAWING			

X-ON Electronics

Largest Supplier of Electrical and Electronic Components

Click to view similar products for [Headers & Wire Housings](#) category:

Click to view products by [TE Connectivity](#) manufacturer:

Other Similar products are found below :

[95000-104TRLF](#) [10135584-644402LF](#) [DF62W-EP2022PCA](#) [95000-106TRLF](#) [DF62W-2022SCA](#) [48050-002LF](#) [DF62W-EP2022PC](#) [2203348](#)
[DF62W-2022SC](#) [1084018](#) [1029039](#) [1084017](#) [802-10-012-10-002000](#) [1112640](#) [1112639](#) [891-007-9SS-BST1T](#) [000-34000](#) [0008550134](#)
[0009482033](#) [0009507031](#) [0009524054](#) [57102-F02-18ULF](#) [57102-S06-03LF](#) [57202-S52-04LF](#) [PCN6-15S-2.5E](#) [0039019024](#) [58102-G61-](#)
[06LF](#) [582553-1](#) [0009485154](#) [0009508121](#) [0022285053](#) [0050291907](#) [018731A](#) [LY20-4P-DT1-P1E-BR](#) [02.125.8002.8](#) [60101931](#) [60598-1](#)
[\(Cut Strip\)](#) [M1625-3R/100](#) [61062-3](#) [61082-181009](#) [632209-000](#) [636-1427](#) [638009-1](#) [641938-9](#) [641991-4](#) [644168-1](#) [644827-2](#) [647662-1](#)
[65039-019ELF](#) [65692-001LF](#)