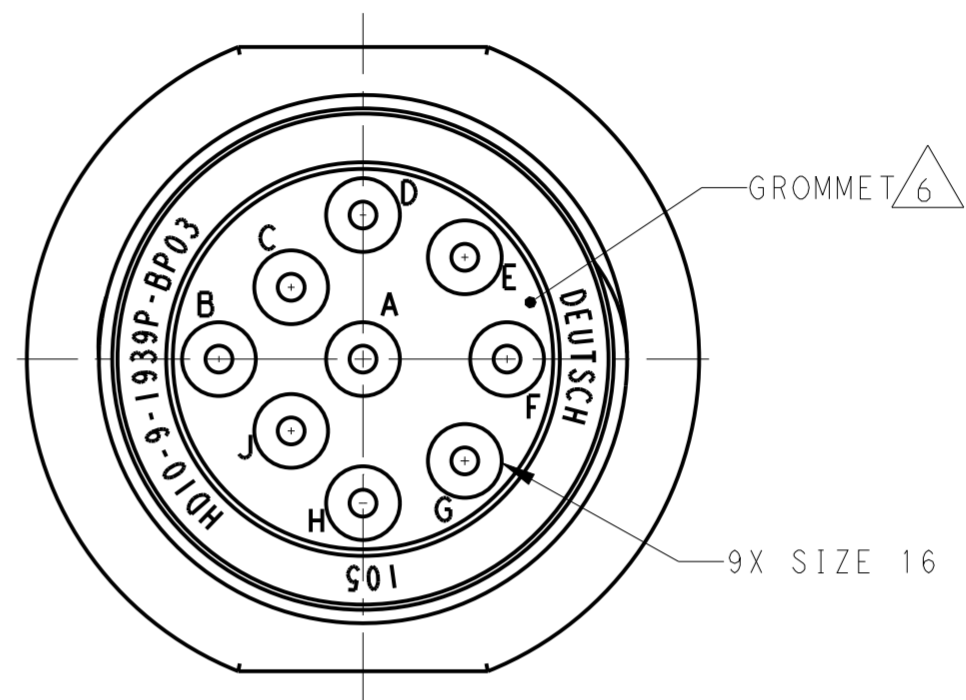
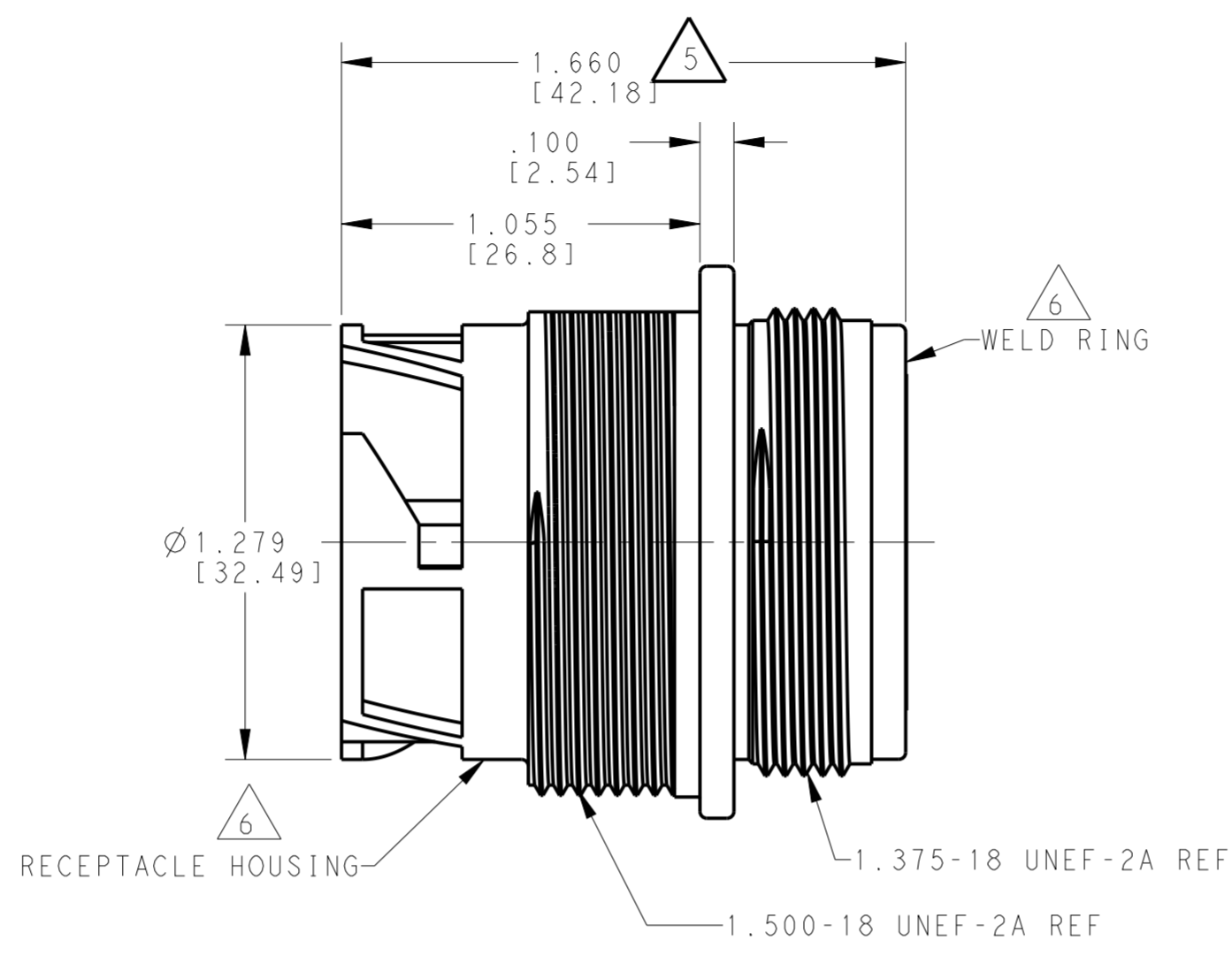
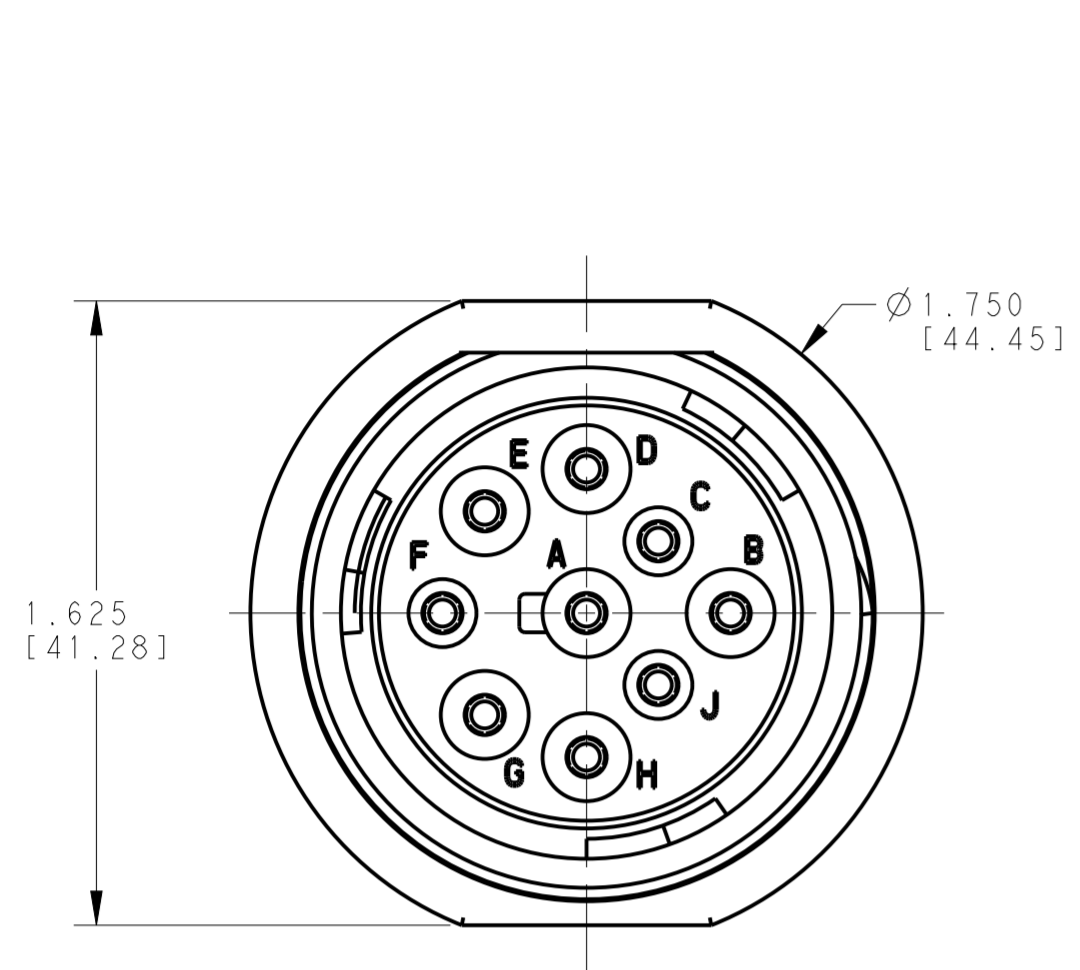


THIS DRAWING IS UNPUBLISHED
 RELEASED FOR PUBLICATION 2013
 © COPYRIGHT 2013 BY TE CONNECTIVITY. ALL RIGHTS RESERVED.

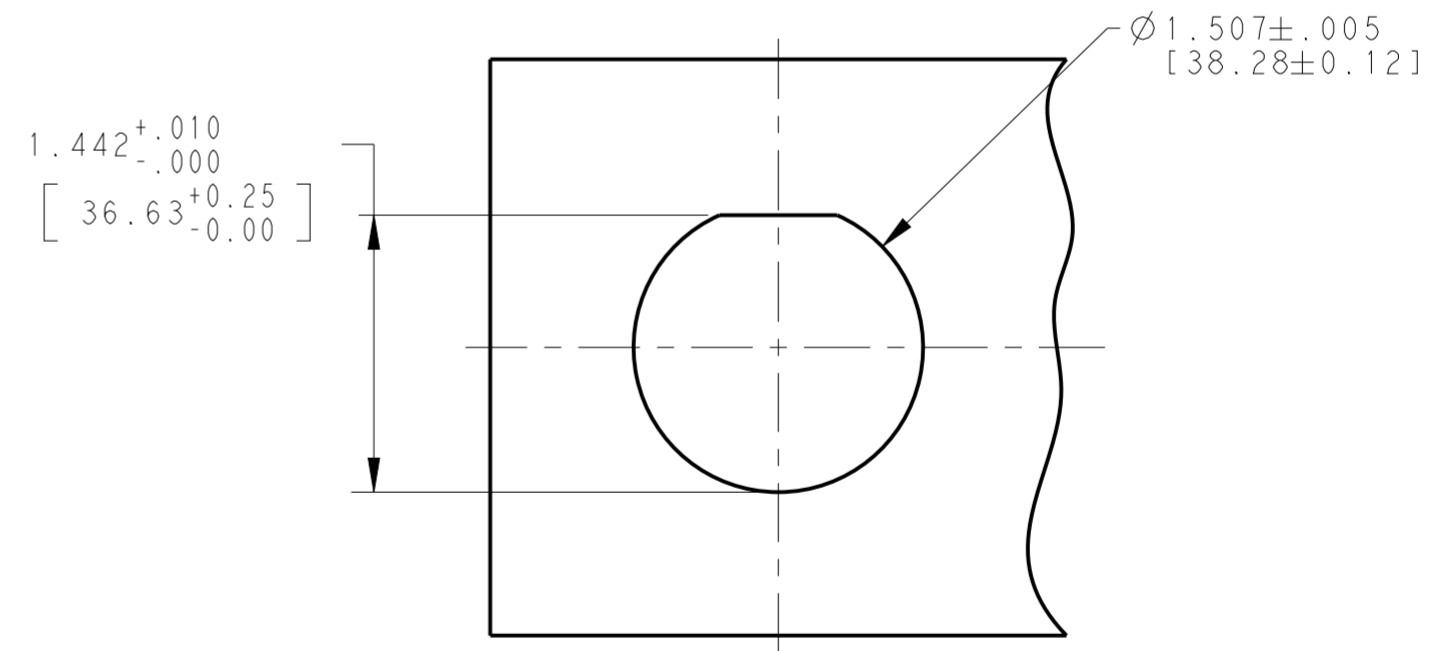
LOC		DIST		REVISIONS			
P	LTR	DESCRIPTION	DATE	DWN	APVD		
NC		NEW RELEASE PER E.O. P21126	8NOV2011	-	RDR		
A		REVISED PER E.O. P21366	4JUN2012	-	RDR		
A1		REVISED PER ECO-14-002953	29JAN2014	PV	DM		



- 8. THIS RECEPTACLE TO BE USED WITH 2411-002-1805 PANEL NUT AND 2414-002-1886 LOCK WASHER. PANEL NUT MOUNTING TORQUE: 45-55 IN. LB. [5.1 - 6.1 N.M.]
- 7. BP03 MODIFICATION: SAE J1939-13, TYPE 2,
- 6 MATERIAL: RECEPTACLE HOUSING AND WELD RING: PA 15%GF (GREEN) GROMMET: SILICONE (RED).
- 5 OVERALL DIMENSION DOES NOT INCLUDE RUBBER GROMMET
- 4. THIS RECEPTACLE MATES WITH FOLLOWING PLUGS (X=SEAL TYPE).
 HD16-9-1939SX-P080
 HD17-9-1939SX-P080
- 3 SEE DRAWING 0425-015-0000 FOR CONTACT AND WIRE PERFORMANCE AND APPLICATION CHARACTERISTICS.
- 2 RECOMMENDED PANEL THICKNESS: .062 [1.57] TO .188 [4.77].
- 1. SEE TABLE FOR USABLE WIRE RANGE AND INSULATION RANGES.

PART NUMBER	SEAL TYPE	CONTACT SIZE	MIN. INSUL. O.D.	MAX. INSUL. O.D.	WIRE RANGE [mm ²]
HD10-9-1939P-BP03	NORMAL	16	.100 [2.54]	.150 [3.81]	14-20 AWG [2.0-.75]
HD10-9-1939PE-BP03	E	16	.053 [1.35]	.120 [3.05]	14-20 AWG [2.0-.50]

NOTES:



2 RECOMMENDED MOUNTING HOLE

THIS DRAWING IS A CONTROLLED DOCUMENT.		DWN 9 AUG 2011 I. GRANTCHAROVA	TE Connectivity	
DIMENSIONS: [INCHES [mm]]		CHK 17 SEP 2013 I. GRANTCHAROVA		
TOLERANCES UNLESS OTHERWISE SPECIFIED:		APVD 19 SEP 2013 D. MEYER	PRODUCT SPEC	RECEPTACLE CONNECTOR ARR. 9-1939 -BP03 MOD HD10 SERIES PANEL MOUNT, D-HOLE
0 PLC ±		APPL. SPEC	SIZE	CAGE CODE
1 PLC ±		WEIGHT	A200779	HD10-9-1939PX-BP03
2 PLC ±		Customer Drawing	SCALE	1:1
3 PLC ±.025		Customer Drawing	SHEET	1 OF 1
4 PLC ±		Customer Drawing	REV	A1
ANGLES ±0° 30' 0"		Customer Drawing		
FINISH		Customer Drawing		

X-ON Electronics

Largest Supplier of Electrical and Electronic Components

Click to view similar products for [Automotive Connectors](#) category:

Click to view products by [TE Connectivity](#) manufacturer:

Other Similar products are found below :

[003-018-000](#) [60403001](#) [60993906-B](#) [M902-2131](#) [M902-2161](#) [72.330.1035.1](#) [73.353.4028.0](#) [F119300-B](#) [F166900](#) [F258300-B](#) [F358300-B](#)
[F407400](#) [F444110](#) [F487000](#) [F509500B-B](#) [827153-1](#) [8N1515-32-24P](#) [9-1326729-8](#) [925474-1](#) [928905-1](#) [964562-4](#) [968782-1](#) [GT17SA-8DS-](#)
[HU](#) [98891-1012](#) [98947-1016](#) [12004147](#) [12004475-L](#) [12010290](#) [12010309-B](#) [12015454](#) [12020219-B](#) [12020308](#) [12041318-B](#) [12052225-L](#)
[12052466](#) [12059125](#) [12064869](#) [12004327-B](#) [12010503-B](#) [12015308](#) [12015384](#) [12015909](#) [1-21030-1](#) [12041254](#) [12041318](#) [12047946-B](#)
[12047957](#) [12047957-L](#) [12059473](#) [12066261](#)