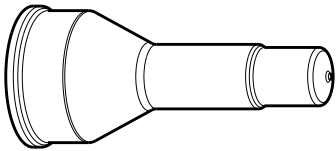
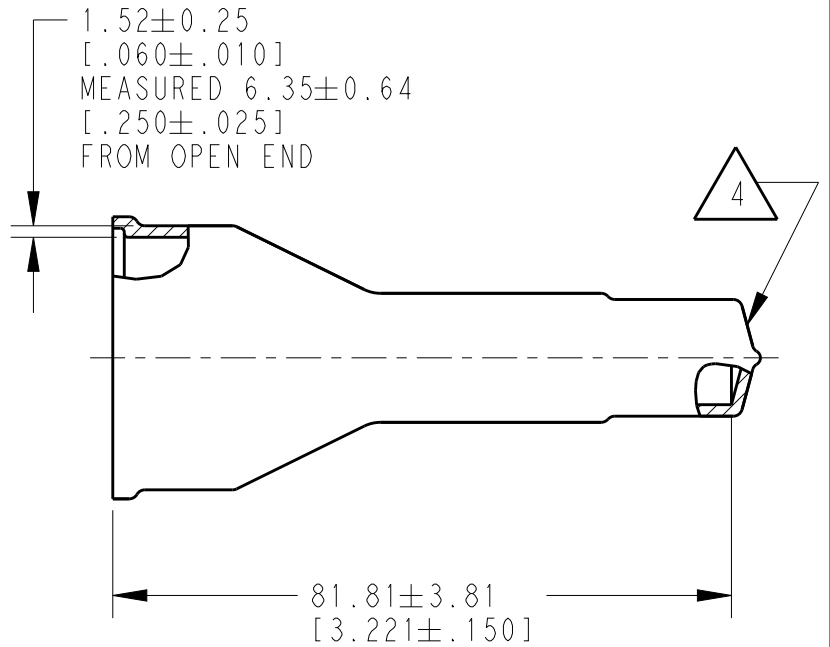
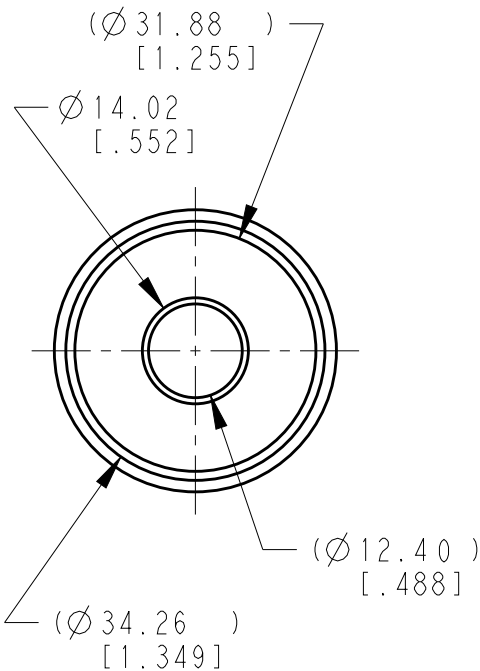


LOC	DIST	REVISIONS				
P	LTR	DESCRIPTION	DATE	DWN	APVD	
	A	NEW RELEASE	27AUG2014	DM	DM	
	A1	REVISED PER PCN E-19-017134	05NOV2019	JA	IG	



SCALE 1:2



- 4 SMALL MATERIAL EXTENSION IS ACCEPTABLE ON THIS END ALL AROUND,
- THIS ACCESSORY PART IS PROVIDED WITHOUT TYPICAL TRANSPORTATION INDUSTRY PROCESS CONTROL. NO VALIDATION TESTING HAS BEEN PERFORMED. CUSTOMER IS RESPONSIBLE FOR DETERMINING PRODUCT PERFORMANCE AND SUITABILITY FOR APPLICATION.
  - TEMPERATURE RATING: -29° TO +100°C [-20°F TO +121°F].
  - THIS PART IS USED ON:  
 HD10-9-XXX RECEPTACLES  
 HD14-9-XXX RECEPTACLES  
 HD16-9-XXX PLUG  
 WHERE XXX IS PIN ARRANGEMENTS

NOTES:

TE INTERNAL PN	DEUTSCH PN
HD10-9BT-BK	HD10-9BT-BK

2019 RELEASED FOR PUBLICATION

THIS DRAWING IS UNPUBLISHED. © COPYRIGHT 2014 TE Connectivity. All Rights Reserved.

DIMENSIONS:	
mm [INCHES]	
TOLERANCES UNLESS OTHERWISE SPECIFIED:	
0 PLC	±
1 PLC	±
2 PLC	±
3 PLC	±0.64 [.025]
4 PLC	±
ANGLES	±5°

DWN D.MEYER	27AUG2014
CHK I.GRANTCHAROVA	27AUG2014
APVD D.MEYER	27AUG2014
PRODUCT SPEC	
APPLICATION SPEC	
WEIGHT	9.08g

MATERIAL	PVC	FINISH	BLACK
<b>TE</b> TE Connectivity			
NAME BOOT, RECEPTACLE, SIZE 9 HD10 SERIES			
SIZE	CAGE CODE	DRAWING NO	RESTRICTED TO
A 4	4AFU8	©-HD10-9BT-BK	-

CUSTOMER DRAWING	SCALE 1:1	SHEET 1 OF 1	REV A1
------------------	-----------	--------------	--------

## X-ON Electronics

Largest Supplier of Electrical and Electronic Components

*Click to view similar products for [Automotive Connectors](#) category:*

*Click to view products by [TE Connectivity](#) manufacturer:*

Other Similar products are found below :

[003-018-000](#) [60403001](#) [60993906-B](#) [M902-2131](#) [M902-2161](#) [M902-2344](#) [72.330.1035.1](#) [73.353.4028.0](#) [F119300-B](#) [F166900](#) [F258300-B](#)  
[F358300-B](#) [F407400](#) [F444110](#) [F487000](#) [F509500B-B](#) [827153-1](#) [8N1515-32-24P](#) [9-1326729-8](#) [925474-1](#) [928905-1](#) [964562-4](#) [968782-1](#)  
[GT17SA-8DS-HU](#) [98891-1012](#) [98947-1016](#) [12004147](#) [12004475-L](#) [12010290](#) [12015454](#) [12020219-B](#) [12041318-B](#) [12052225-L](#) [12052466](#)  
[12064869](#) [12004327-B](#) [12015308](#) [12015384](#) [12015909](#) [1-21030-1](#) [12041254](#) [12041318](#) [12047946-B](#) [12047957](#) [12047957-L](#) [12059473](#)  
[12066261](#) [12110546](#) [12110546-B](#) [12131792](#)