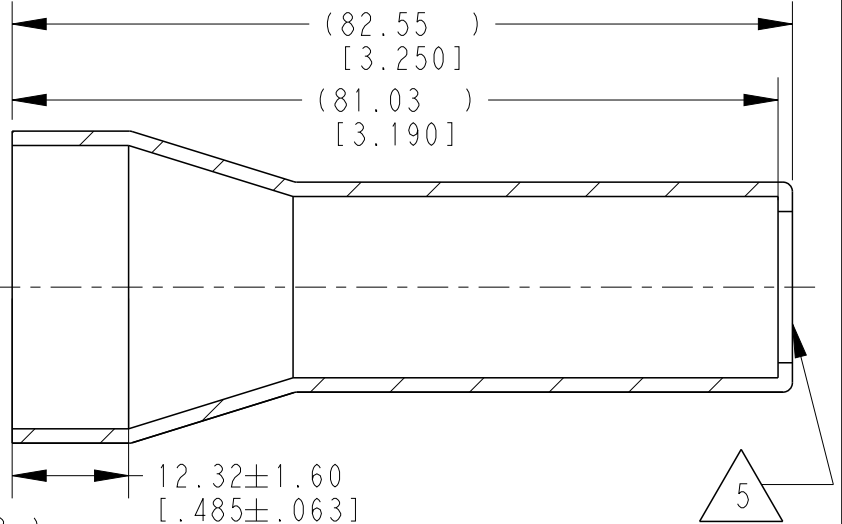
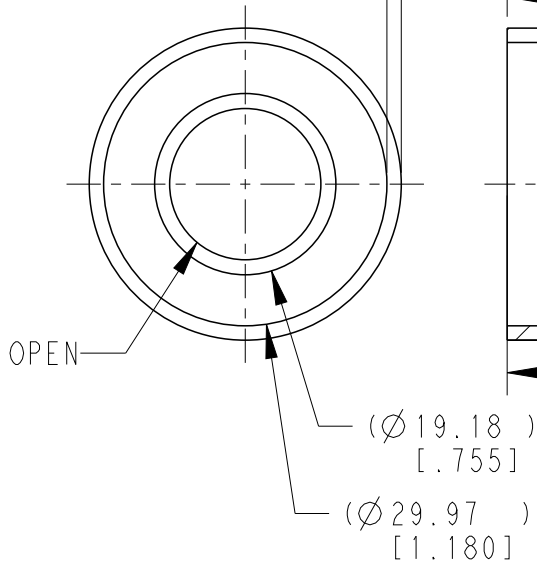


SCALE 1:2

REVISIONS

| P | LTR | DESCRIPTION | DATE | DWN | APVD |
|---|-----|-------------------------------|-----------|-----|------|
| | A | NEW RELEASE PER ECO-14-013276 | 27AUG2014 | DM | DM |
| | A1 | REVISE PER PCN E-19-014486 | 16SEP2019 | JA | IG |
| | A2 | REVISED PER PCN E-20-004409 | 24MAR2020 | AP | IG |

1.52±0.25
[.060±.010]
MEASURED 6.35±0.64
[.250±.025]
FROM OPEN END



6. SMALL NON-FILLS ARE ACCEPTABLE INSIDE OF PART, INCLUDING SUPPLIER MARKING.
5. SMALL MATERIAL EXTENSION IS ACCEPTABLE ON THIS END ALL AROUND. WALL THICKNESS ON THIS END MAY VARY.
4. BOTTOM OF PART IS MOLDED OPEN.
3. THIS ACCESSORY PART IS PROVIDED WITHOUT TYPICAL TRANSPORTATION INDUSTRY PROCESS CONTROLS. NO VALIDATION TESTING HAS BEEN PERFORMED. CUSTOMER IS RESPONSIBLE FOR DETERMINING PRODUCT PERFORMANCE AND SUITABILITY FOR APPLICATION.
2. TEMPERATURE RATING: -29°C TO +100°C [-20°F TO +212°F].
1. THIS PART IS USED ON
HDP24-18-XXX RECEPTACLES
HDP26-18-XXX PLUGS
HD34-18-XXX RECEPTACLES
HD36-18-XXX PLUGS
WHERE XXX IS PIN ARRANGEMENTS.

NOTES:

| | |
|----------------|------------|
| TE INTERNAL PN | DEUTSCH PN |
| HD30-18BT | HD30-18BT |

2019
RELEASED FOR PUBLICATION
ALL RIGHTS RESERVED.
COPYRIGHT 2014 BY TE CONNECTIVITY
THIS DRAWING IS UNPUBLISHED.

| | |
|--|--------------|
| DIMENSIONS: | |
| mm [INCHES] | |
| TOLERANCES UNLESS OTHERWISE SPECIFIED: | |
| 0 PLC | ± |
| 1 PLC | ± |
| 2 PLC | ± |
| 3 PLC | ±0.63 [.025] |
| 4 PLC | ± |
| ANGLES | ±0°30'0" |

| | |
|-----------------------|-----------|
| DWN D.MEYER | 27AUG2014 |
| CHK I.GRANTCHAROVA | 27AUG2014 |
| APVD D.MEYER | 27AUG2014 |
| PRODUCT SPEC | |
| APPLICATION SPEC | |
| WEIGHT | 9.66g |

| | | | |
|--|-----------|-------------|---------------|
| MATERIAL | PVC | FINISH | GRAY |
| TE TE Connectivity | | | |
| NAME BOOT, SIZE 18 HD30/HDP20 SERIES | | | |
| SIZE | CAGE CODE | DRAWING NO | RESTRICTED TO |
| A4 | 4AFU8 | ©-HD30-18BT | - |

| | | | | | | |
|------------------|-------|-----|-------|--------|-----|----|
| CUSTOMER DRAWING | SCALE | 5:4 | SHEET | 1 OF 1 | REV | A2 |
|------------------|-------|-----|-------|--------|-----|----|

X-ON Electronics

Largest Supplier of Electrical and Electronic Components

Click to view similar products for [Automotive Connectors](#) category:

Click to view products by [TE Connectivity](#) manufacturer:

Other Similar products are found below :

[003-018-000](#) [60403001](#) [60993906-B](#) [M902-2131](#) [M902-2161](#) [M902-2344](#) [72.330.1035.1](#) [73.353.4028.0](#) [F119300-B](#) [F166900](#) [F258300-B](#)
[F358300-B](#) [F407400](#) [F444110](#) [F487000](#) [F509500B-B](#) [827153-1](#) [8N1515-32-24P](#) [9-1326729-8](#) [925474-1](#) [928905-1](#) [964562-4](#) [968782-1](#)
[GT17SA-8DS-HU](#) [98891-1012](#) [98947-1016](#) [12004147](#) [12004475-L](#) [12010290](#) [12010309-B](#) [12015454](#) [12020219-B](#) [12041318-B](#) [12052225-](#)
[L](#) [12052466](#) [12064869](#) [12004327-B](#) [12015308](#) [12015384](#) [12015909](#) [1-21030-1](#) [12041254](#) [12041318](#) [12047946-B](#) [12047957](#) [12047957-L](#)
[12059473](#) [12066261](#) [12110546](#) [12110546-B](#)