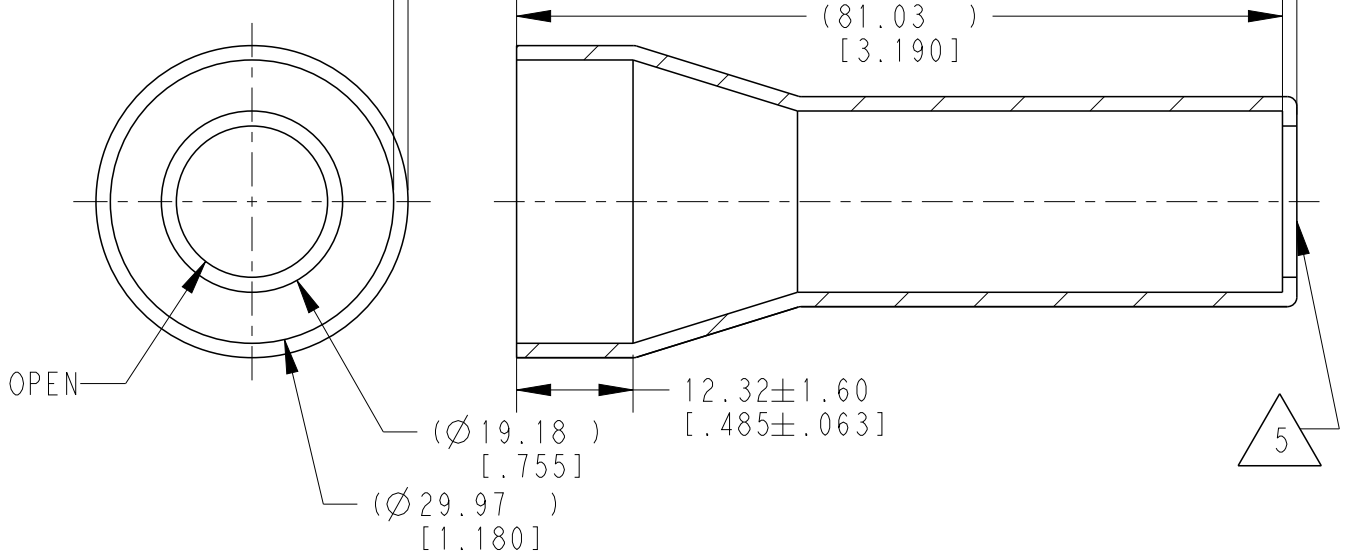


SCALE 1:2

REVISIONS

P	LTR	DESCRIPTION	DATE	DWN	APVD
	A	NEW RELEASE PER ECO-14-013276	27AUG2014	DM	DM
	A1	REVISE PER E-19-014486	16SEP2019	JA	DM
	A2	REVISED PER PCN E-20-004409	24MAR2020	AP	IG

1.52±0.25
[.060±.010]
MEASURED 6.35±0.64
[.250±.025]
FROM OPEN END



- 6. SMALL NON-FILLS ARE ACCEPTABLE INSIDE OF PART, INCLUDING SUPPLIER MARKING.
- 5. SMALL MATERIAL EXTENSION IS ACCEPTABLE ON THIS END ALL AROUND. WALL THICKNESS ON THIS END MAY VARY.
- 4. BOTTOM OF PART IS MOLDED OPEN.
- 3. THIS ACCESSORY PART IS PROVIDED WITHOUT TYPICAL TRANSPORTATION INDUSTRY PROCESS CONTROLS. NO VALIDATION TESTING HAS BEEN PERFORMED. CUSTOMER IS RESPONSIBLE FOR DETERMINING PRODUCT PERFORMANCE AND SUITABILITY FOR APPLICATION.
- 2. TEMPERATURE RATING: -29°C TO +100°C [-20°F TO +212°F].
- 1. THIS PART IS USED ON
HDP24-18-XXX RECEPTACLES
HDP26-18-XXX PLUGS
HD34-18-XXX RECEPTACLES
HD36-18-XXX PLUGS
WHERE XXX IS PIN ARRANGEMENTS.

NOTES:

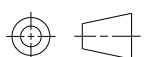
TE INTERNAL PN	DEUTSCH PN
HD30-18BT-BK	HD30-18BT-BK

2019 RELEASED FOR PUBLICATION ALL RIGHTS RESERVED. BY TE CONNECTIVITY. THIS DRAWING IS UNPUBLISHED. COPYRIGHT 2014

DIMENSIONS:	
mm	[INCHES]
TOLERANCES UNLESS OTHERWISE SPECIFIED:	
0 PLC	±
1 PLC	±
2 PLC	±
3 PLC	±0.63 [.025]
4 PLC	±
ANGLES	±0°30'0"

DWN	D.MEYER	27AUG2014
CHK	I.GRANTCHAROVA	27AUG2014
APVD	D.MEYER	27AUG2014
PRODUCT SPEC		
APPLICATION SPEC		
WEIGHT	9.66g	

MATERIAL	PVC	FINISH	BLACK
TE TE Connectivity			
NAME BOOT, SIZE 18 HD30/HDP20 SERIES			
SIZE	CAGE CODE	DRAWING NO	RESTRICTED TO
A4	4AFU8	©-HD30-18BT-BK	-



CUSTOMER DRAWING	SCALE	5:4	SHEET	1 OF 1	REV	A2
------------------	-------	-----	-------	--------	-----	----

X-ON Electronics

Largest Supplier of Electrical and Electronic Components

Click to view similar products for [Automotive Connectors](#) category:

Click to view products by [TE Connectivity](#) manufacturer:

Other Similar products are found below :

[003-018-000](#) [60403001](#) [60993906-B](#) [M902-2131](#) [M902-2161](#) [72.330.1035.1](#) [73.353.4028.0](#) [F119300-B](#) [F166900](#) [F258300-B](#) [F358300-B](#)
[F407400](#) [F444110](#) [F487000](#) [F509500B-B](#) [827153-1](#) [8N1515-32-24P](#) [9-1326729-8](#) [925474-1](#) [928905-1](#) [964562-4](#) [968782-1](#) [GT17SA-8DS-](#)
[HU](#) [98891-1012](#) [98947-1016](#) [12004147](#) [12004475-L](#) [12010290](#) [12010309-B](#) [12015454](#) [12020219-B](#) [12020308](#) [12041318-B](#) [12052225-L](#)
[12052466](#) [12059125](#) [12064869](#) [12004327-B](#) [12010503-B](#) [12015308](#) [12015384](#) [12015909](#) [1-21030-1](#) [12041254](#) [12041318](#) [12047946-B](#)
[12047957](#) [12047957-L](#) [12059473](#) [12066261](#)