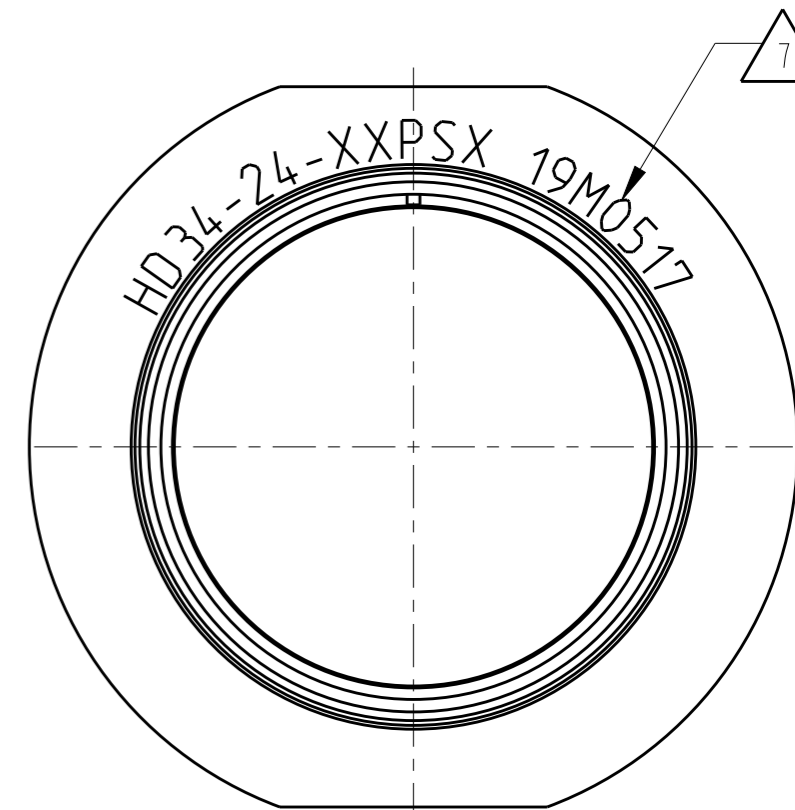
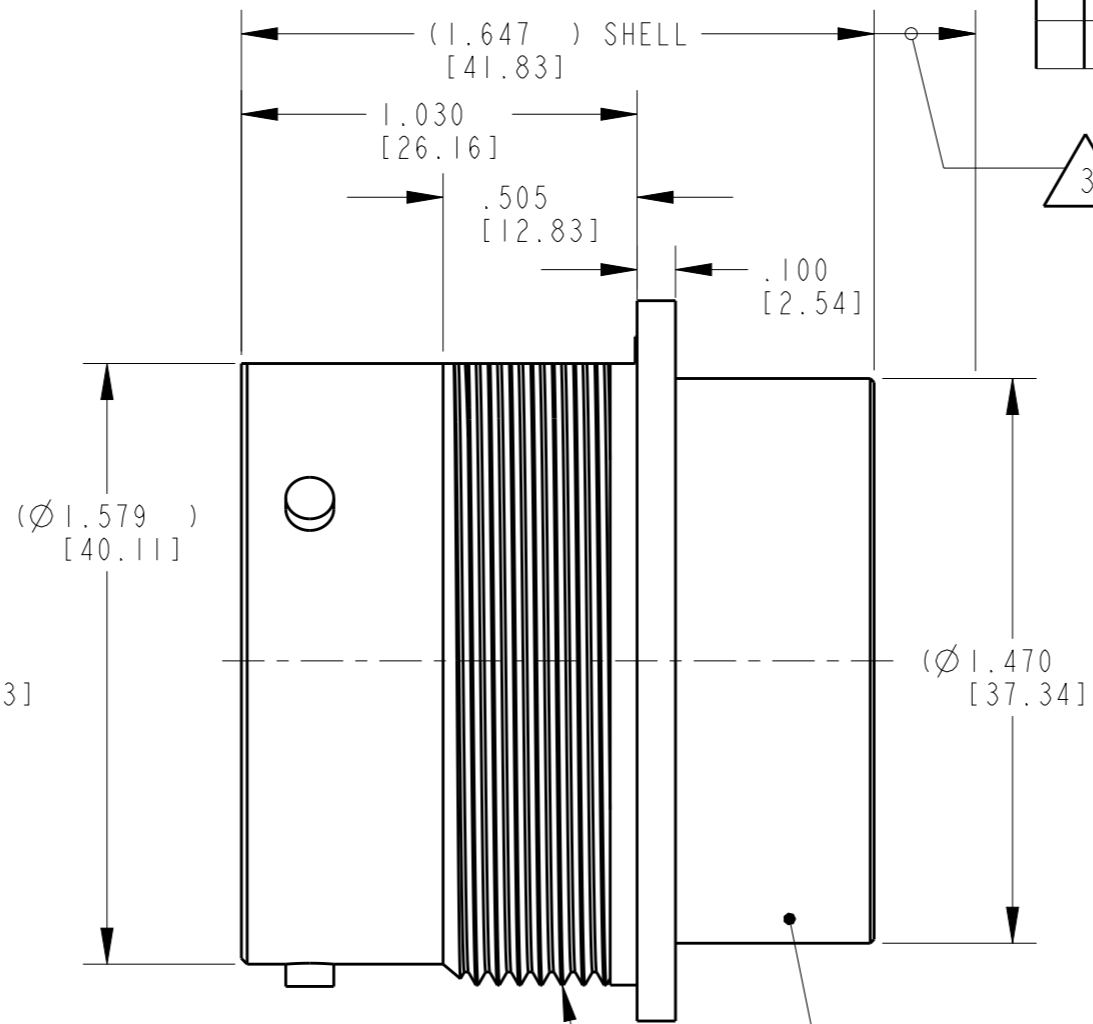
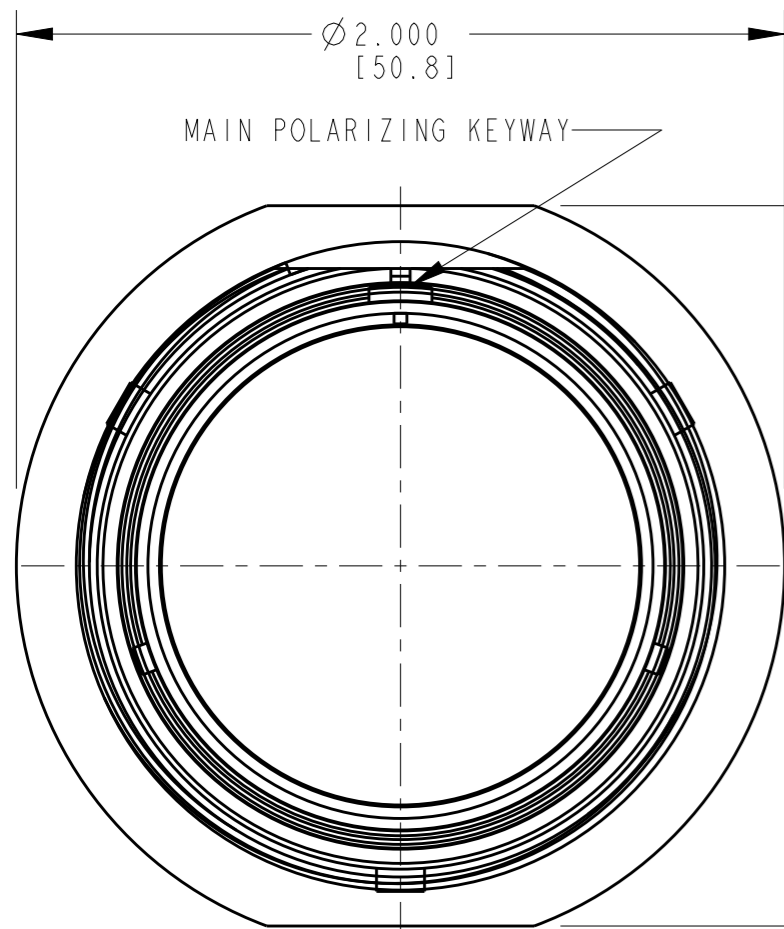


THIS DRAWING IS UNPUBLISHED
 RELEASED FOR PUBLICATION 2014
 © COPYRIGHT 2014 BY - TE CONNECTIVITY ALL RIGHTS RESERVED.

LOC	DIST	REVISIONS			
P	LTR	DESCRIPTION	DATE	DWN	APVD
-	-	A	REVISED PER E.O. P15908	05FEB1999	- RDR
-	-	B	REVISED PER E.O. P18134	23MAY2003	- RDR
-	-	B1	REVISED AS PER ECO-15-001798	02SEP2014	VNB DM
-	-	B2	REVISED PER PCN E-20-000705	28JAN2020	MK DM



7 DATE CODE: IDENTIFIES THE YEAR ,MONTH,DAY AND HOUR OF ASSEMBLY.
 YEAR: FIRST AND SECOND DIGITS.(14=2014)
 MONTH: THIRD DIGIT,EXCLUDING I.A=JAN., B=FEB., C=MARCH...(K=OCT.)
 DAY: FOURTH AND FIFTH DIGIT (14=14TH DAY)
 HOUR: SIXTH AND SEVENTH DIGIT (11=11AM)

6 MATERIAL:
 RECEPTACLE HOUSING: 6061-T6 ALUMINUM ALLOY,
 GROMMET: SILICONE VMQ (RED),
 RETAINER RING: PA66 GF10.

5. THIS PART MATES WITH HD36-24-XXXP/SX-XXXX

4. PART NUMBER INFO: XX= ARRANGEMENT: X= SEAL TYPE

3 TOTAL DIM. WITH EXTENDED WIRE SEAL (WITH CONTACTS #4 OR #8 ONLY) = 1.870±.050 [47.50±1.27].

2. FOR ARRANGEMENT OF CONTACT LOCATION SEE ENVELOPE DRAWING 0425-014-2400.

1. CONSULT THE FACTORY FOR ELECTRICAL AND MATERIAL SPECIFICATIONS.

NOTES:

THIS DRAWING IS A CONTROLLED DOCUMENT.		DWN 30OCT2014 VIJETH BHARADWAJ	TE Connectivity	
		CHK 31OCT2014 I. GRANTCHAROVA		
DIMENSIONS: INCHES [mm]		APVD 31OCT2014 D. MEYER	NAME RECEPTACLE CONNECTOR SHELL SIZE 24 BAYONET COUPLING HD30 SERIES	
TOLERANCES UNLESS OTHERWISE SPECIFIED:		PRODUCT SPEC 108-151014	RESTRICTED TO	
0 PLC ±-		APPLICATION SPEC 114-151014	SIZE A3	CAGE CODE -
1 PLC ±-		WEIGHT 40g	DRAWING NO. ©HD34-24-XXP/SX	
2 PLC ±-			SCALE NONE	SHEET 1 OF 1
3 PLC ±.010 [±.254]				REV B2
4 PLC ±-				
ANGLES ±° 30' 0"				
MATERIAL FINISH -		Customer Drawing		

X-ON Electronics

Largest Supplier of Electrical and Electronic Components

Click to view similar products for [Automotive Connectors](#) category:

Click to view products by [TE Connectivity](#) manufacturer:

Other Similar products are found below :

[003-018-000](#) [60403001](#) [60993906-B](#) [M902-2131](#) [M902-2161](#) [72.330.1035.1](#) [73.353.4028.0](#) [F119300-B](#) [F166900](#) [F258300-B](#) [F358300-B](#)
[F407400](#) [F444110](#) [F487000](#) [F509500B-B](#) [827153-1](#) [8N1515-32-24P](#) [9-1326729-8](#) [925474-1](#) [928905-1](#) [964562-4](#) [968782-1](#) [GT17SA-8DS-](#)
[HU](#) [98891-1012](#) [98947-1016](#) [12004147](#) [12004475-L](#) [12010290](#) [12010309-B](#) [12015454](#) [12020219-B](#) [12020308](#) [12041318-B](#) [12052225-L](#)
[12052466](#) [12059125](#) [12064869](#) [12004327-B](#) [12010503-B](#) [12015308](#) [12015384](#) [12015909](#) [1-21030-1](#) [12041254](#) [12041318](#) [12047946-B](#)
[12047957](#) [12047957-L](#) [12059473](#) [12066261](#)