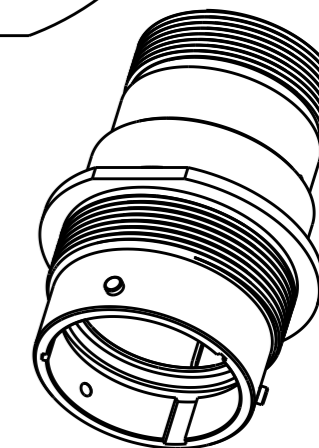
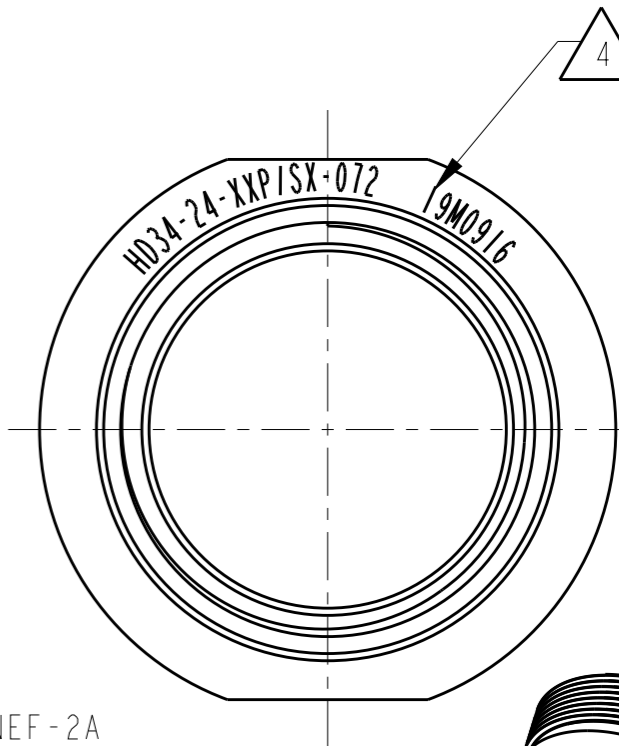
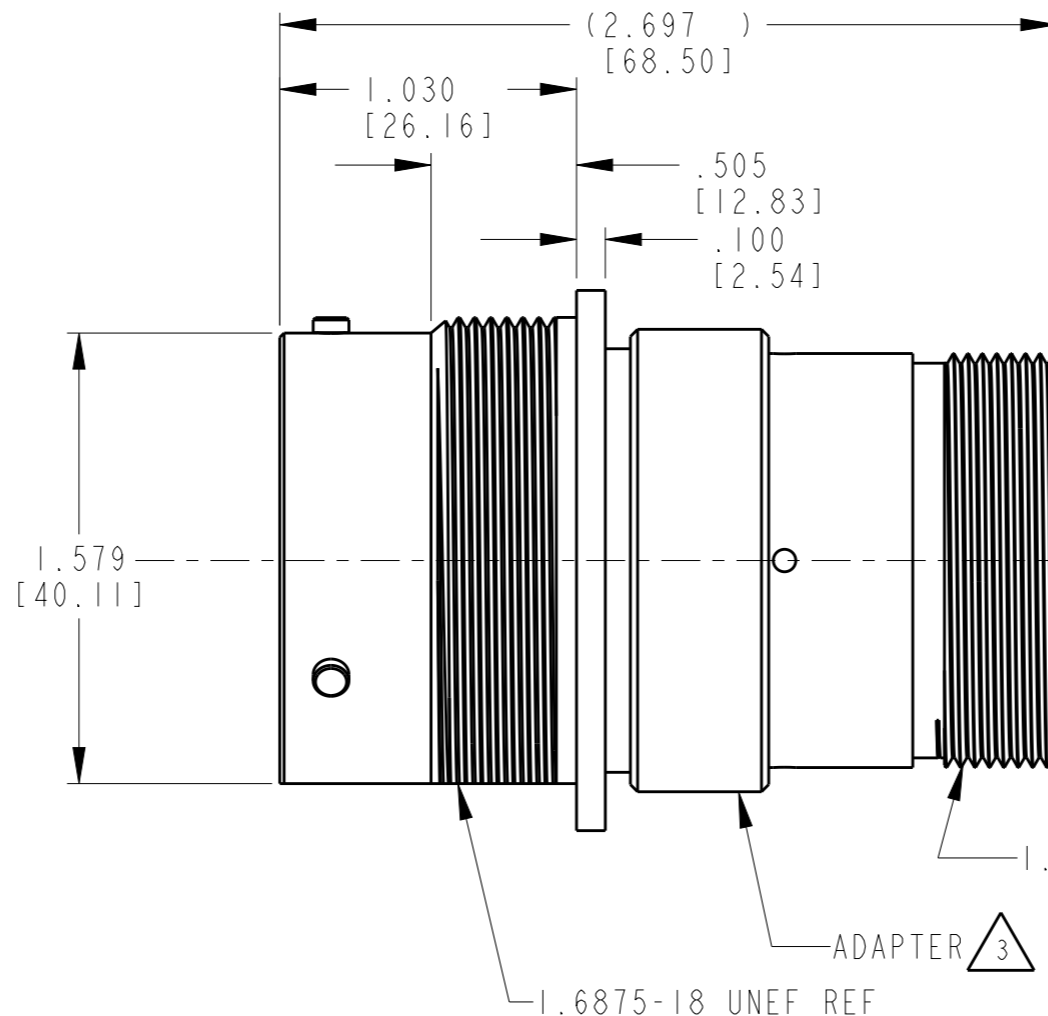
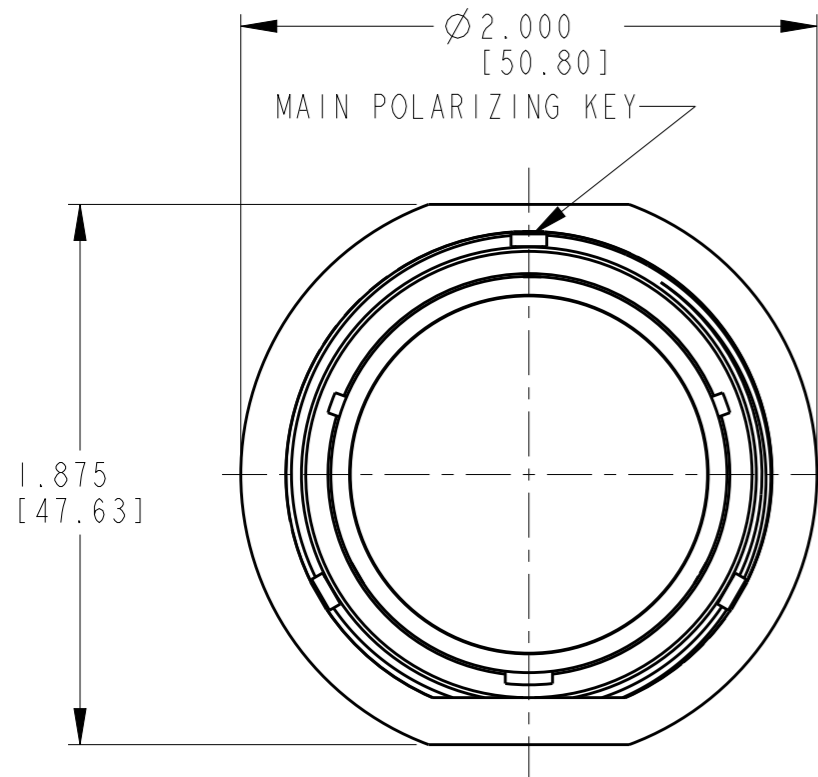


THIS DRAWING IS UNPUBLISHED  
 RELEASED FOR PUBLICATION 2015  
 © COPYRIGHT 2015 BY - TE CONNECTIVITY ALL RIGHTS RESERVED.

LOC	DIST	REVISIONS			
P	LTR	DESCRIPTION	DATE	DWN	APVD
-	-	A	REVISED PER ECO-15-001798	19MAR2015	VNB DM
		A1	REVISED PER PCN E-18-017798	26NOV2018	SS DM
		A2	REVISED PER PCN E-20-000705	28JAN2020	MK DM



3D VIEW

4 DATE CODE: IDENTIFIES THE YEAR, MONTH, DAY AND HOUR OF ASSEMBLY.  
 YEAR: FIRST AND SECOND DIGITS. (14=2014)  
 MONTH: THIRD DIGIT, EXCLUDING I.A=JAN., B=FEB., C=MARCH... (K=OCT.)  
 DAY: FOURTH AND FIFTH DIGIT (14=14TH DAY)  
 HOUR: SIXTH AND SEVENTH DIGIT (11=11AM)

3 MATERIAL:  
 RECEPTACLE HOUSING: 6061-T6 ALUMINUM ALLOY,  
 ADAPTER: 6061-T6 ALUMINUM ALLOY,  
 GROMMET: SILICONE VMQ (RED),  
 RETAINER RING: PA66 GF10.

2. THE CONNECTOR MATES WITH HD36-24-XXP/SX-XXXX  
 X - SEAL DESIGNATION, XX = NUMBER OF CAVITIES,  
 XXXX = MODIFICATION DESIGNATION.

1. FOR ARRANGEMENT OF CONTACT LOCATION  
 SEE ENVELOPE DRAWING 0425-014-2400.

NOTES:

THIS DRAWING IS A CONTROLLED DOCUMENT.		DWN I. GRANTCHAROVA 30 JUN 2011	TE Connectivity	
DIMENSIONS: INCHES [mm]		CHK B. BAYFORD 14 JUL 2011		
TOLERANCES UNLESS OTHERWISE SPECIFIED:		APVD S. BEARD 12 JUL 2011	NAME RECEPTACLE CONNECTOR SHELL SIZE 24 BAYONET COUPLING MOD -072 HD30 SERIES	
0 PLC ±- 1 PLC ±- 2 PLC ±- 3 PLC ±.010 [±.254] 4 PLC ±- ANGLES ±0° 30' 0"		PRODUCT SPEC 108-151014	SIZE A3	CAGE CODE 4AFU8
MATERIAL 3		APPLICATION SPEC 114-151014	DRAWING NO HD34-24-XXP/SX-072	RESTRICTED TO -
FINISH -		WEIGHT 64g	SCALE NONE	SHEET 1 OF 1
		Customer Drawing	REV A2	

## X-ON Electronics

Largest Supplier of Electrical and Electronic Components

*Click to view similar products for [Automotive Connectors](#) category:*

*Click to view products by [TE Connectivity](#) manufacturer:*

Other Similar products are found below :

[003-018-000](#) [60403001](#) [60993906-B](#) [M902-2131](#) [M902-2161](#) [M902-2344](#) [72.330.1035.1](#) [73.353.4028.0](#) [F119300-B](#) [F166900](#) [F258300-B](#)  
[F358300-B](#) [F407400](#) [F444110](#) [F487000](#) [F509500B-B](#) [827153-1](#) [8N1515-32-24P](#) [9-1326729-8](#) [925474-1](#) [928905-1](#) [964562-4](#) [968782-1](#)  
[GT17SA-8DS-HU](#) [98891-1012](#) [98947-1016](#) [12004147](#) [12004475-L](#) [12010290](#) [12015454](#) [12020219-B](#) [12041318-B](#) [12052225-L](#) [12052466](#)  
[12064869](#) [12004327-B](#) [12015308](#) [12015384](#) [12015909](#) [1-21030-1](#) [12041254](#) [12041318](#) [12047946-B](#) [12047957](#) [12047957-L](#) [12059473](#)  
[12066261](#) [12110546](#) [12110546-B](#) [12131792](#)