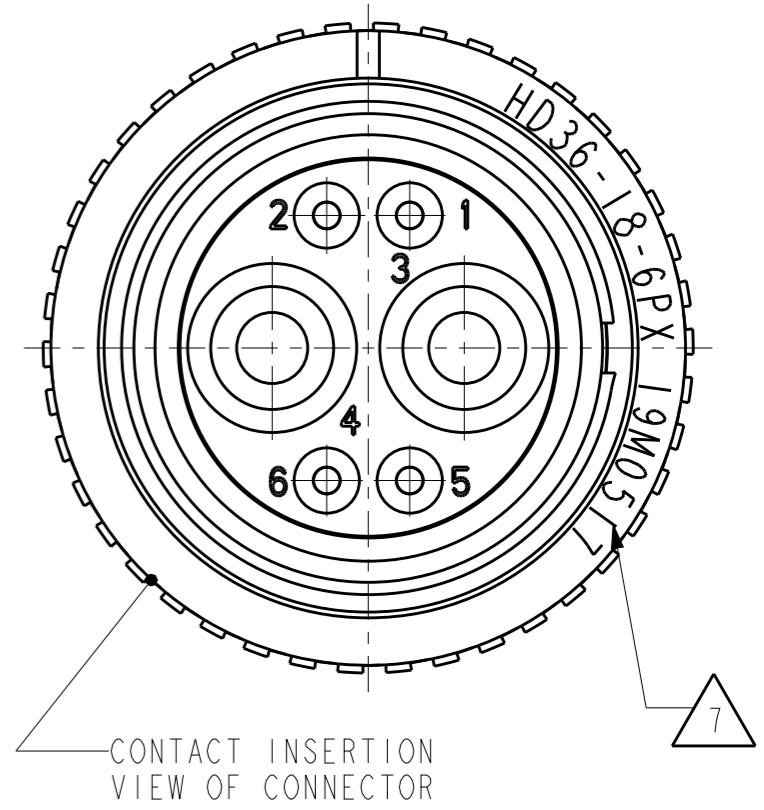
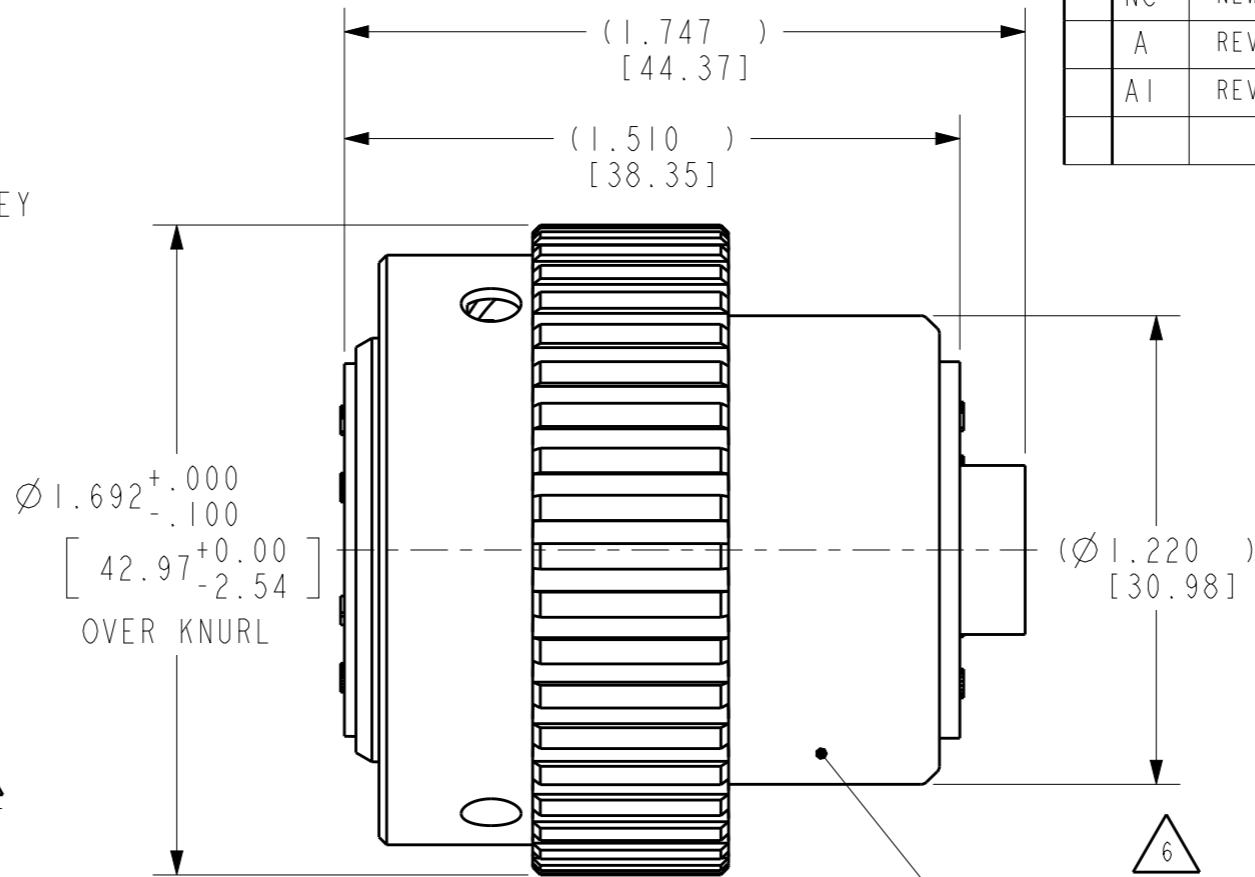
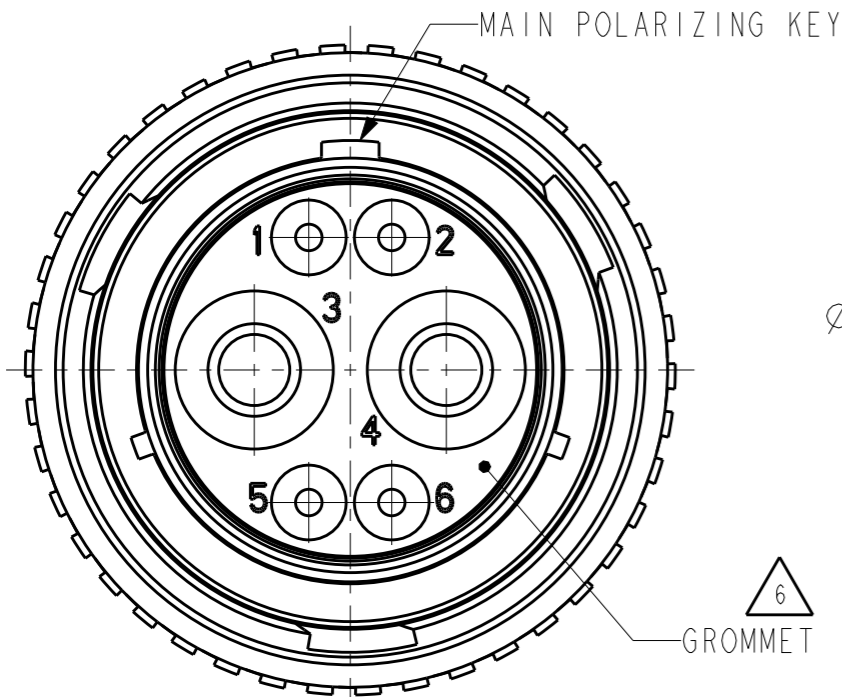


LOC	DIST	REVISIONS			
P	LTR	DESCRIPTION	DATE	DWN	APVD
-	-	NC	NEW RELEASE PER E.O. PI9718	21FEB2008	- RDR
		A	REVISED PER ECO-15-001798	19MAR2015	VNB DM
		AI	REVISED PER PCN E-20-000705	27JAN2020	PK DM



- 3. THIS CONNECTOR MATES WITH PART NO. HD34-18-6PX-XXXX. XXXX= ALL MODIFICATION, X= TYPE OF SEAL.
- 2. THIS CONNECTOR WILL ACCOMMODATE THE FOLLOWING WIRE INSULATION DIAMETERS:

△ 4 SEAL TYPE	CONTACT SIZE	MIN INSULATION O.D.	MAX INSULATION O.D.	△ 5 WIRE GAUGE AWG [mm ²] RANGE
N	16	.100 [2.54]	.134 [3.40]	14-20 [2.0-0.5mm ²]
E	16	.053 [1.35]	.120 [3.05]	14-20 [2.0-0.5mm ²]
N or E	4	.261 [6.63]	.292 [7.42]	6 [13mm ²]

1. CONSULT FACTORY FOR ELECTRICAL AND MATERIAL SPECIFICATIONS.

NOTES:

- △ 7 DATE CODE: IDENTIFIES THE YEAR, MONTH, DAY AND HOUR OF ASSEMBLY.
 YEAR: FIRST AND SECOND DIGITS. (14=2014)
 MONTH: THIRD DIGIT, EXCLUDING 1. A=JAN., B=FEB., C=MARCH... (K=OCT.)
 DAY: FOURTH AND FIFTH DIGITS (14=14th DAY)
 HOUR: SIXTH AND SEVENTH DIGITS (11=11AM)
- △ 6 MATERIAL:
 PLUG HOUSING: 6061-T6 ALUMINIUM ALLOY,
 RETAINER RING: PA66 GF10
 GROMMET: SILICONE VMQ (RED)
- △ 5 FOR CONTACTS AND WIRES PERFORMANCE AND APPLICATION CHARACTERISTICS SEE ENVELOPE DWG. 0425-015-0000.
- △ 4 WHEN X = N: NORMAL SEAL WHEN X = E: REDUCED DIAMETER E-SEAL

THIS DRAWING IS A CONTROLLED DOCUMENT.		DWN X. SANCHEZ 27JUN2001	TE Connectivity	
DIMENSIONS: INCHES [mm]		CHK A. ROLINSKI 19JUL2001		
TOLERANCES UNLESS OTHERWISE SPECIFIED:		APVD S. BEARD 01AUG2001	NAME PLUG CONNECTOR 18-6 ARR. BAYONET COUPLING	
0 PLC ±-		PRODUCT SPEC 108-151014	SIZE A3	
1 PLC ±-		APPLICATION SPEC 114-151014	CAGE CODE -	
2 PLC ±-		WEIGHT 55g	DRAWING NO. C=HD36-18-6PX	
3 PLC ±.010 [±.254]		Customer Drawing	RESTRICTED TO -	
4 PLC ±-		SCALE NONE	SHEET 1 OF 1	
ANGLES ±° 30' 0"		REV AI		
FINISH -				

X-ON Electronics

Largest Supplier of Electrical and Electronic Components

Click to view similar products for [Automotive Connectors](#) category:

Click to view products by [TE Connectivity](#) manufacturer:

Other Similar products are found below :

[003-018-000](#) [60403001](#) [60993906-B](#) [M902-2131](#) [M902-2161](#) [72.330.1035.1](#) [73.353.4028.0](#) [F119300-B](#) [F166900](#) [F258300-B](#) [F358300-B](#)
[F407400](#) [F444110](#) [F487000](#) [F509500B-B](#) [827153-1](#) [8N1515-32-24P](#) [9-1326729-8](#) [925474-1](#) [928905-1](#) [964562-4](#) [968782-1](#) [GT17SA-8DS-](#)
[HU](#) [98891-1012](#) [98947-1016](#) [12004147](#) [12004475-L](#) [12010290](#) [12010309-B](#) [12015454](#) [12020219-B](#) [12020308](#) [12041318-B](#) [12052225-L](#)
[12052466](#) [12059125](#) [12064869](#) [12004327-B](#) [12010503-B](#) [12015308](#) [12015384](#) [12015909](#) [1-21030-1](#) [12041254](#) [12041318](#) [12047946-B](#)
[12047957](#) [12047957-L](#) [12059473](#) [12066261](#)