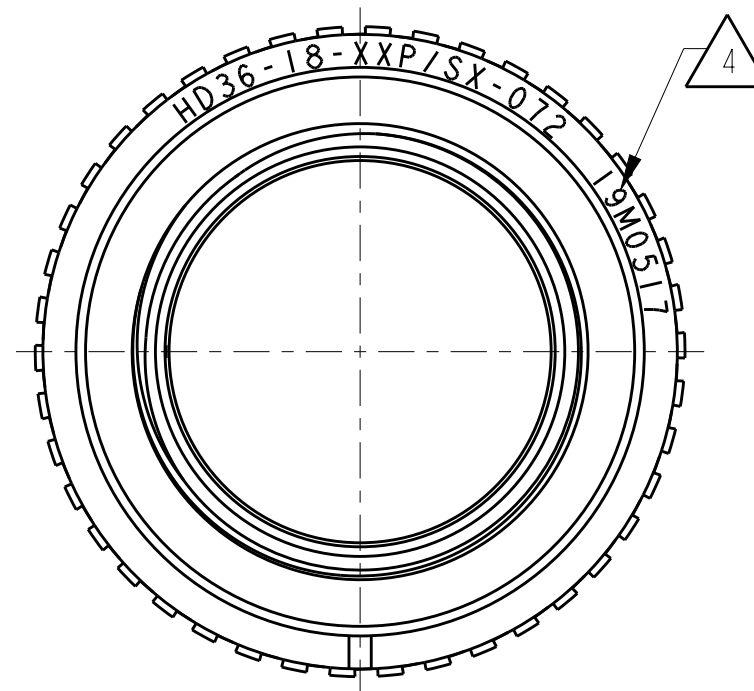
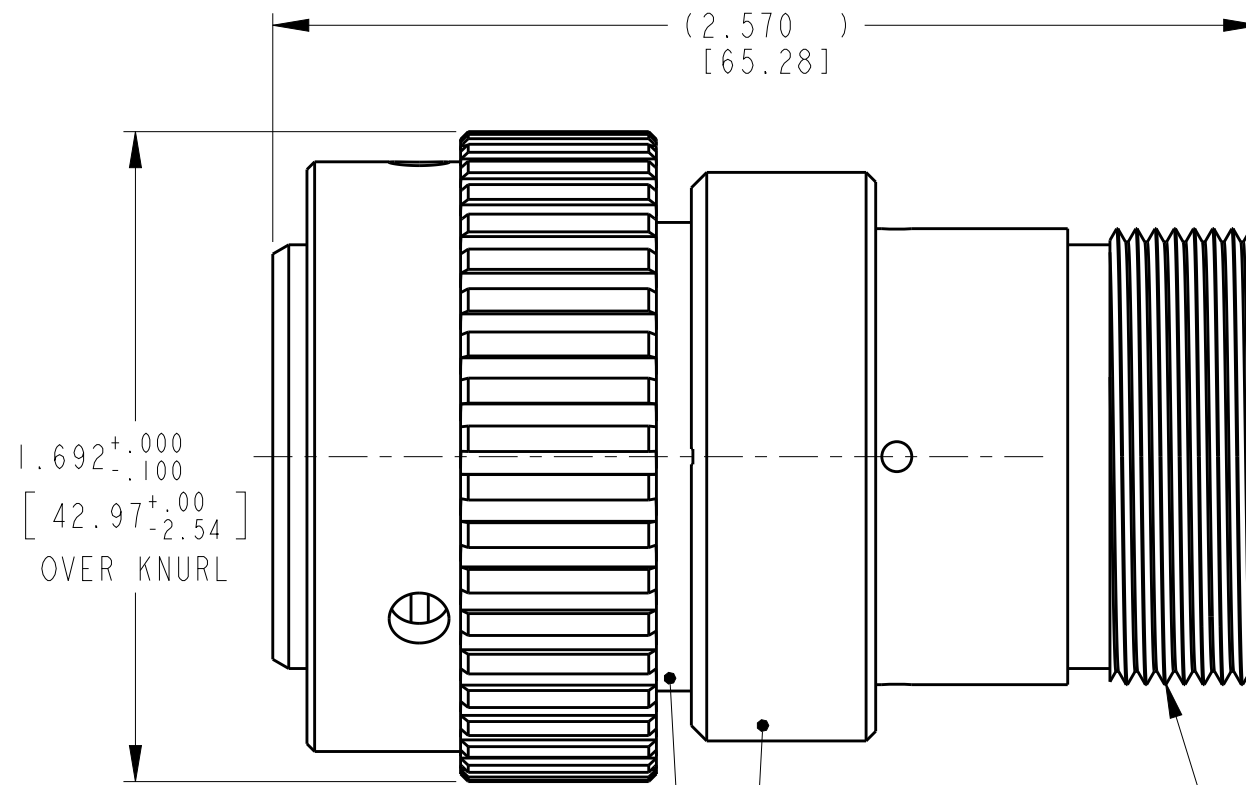
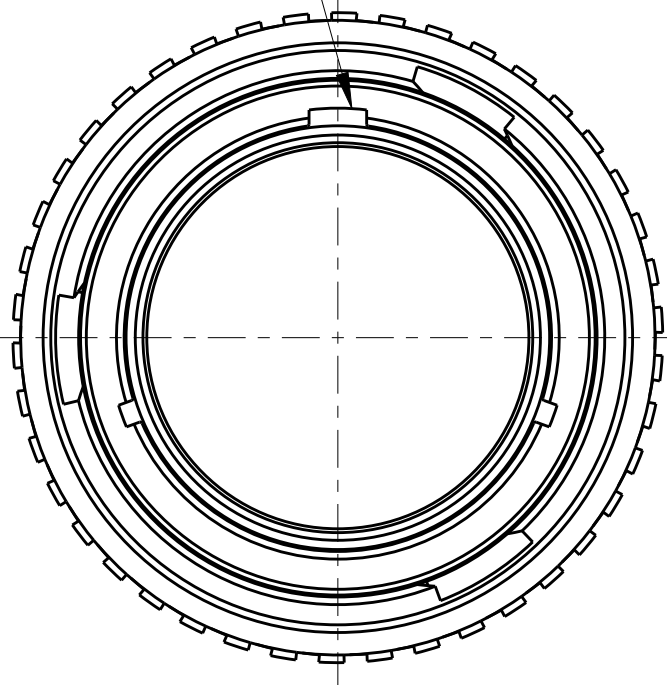


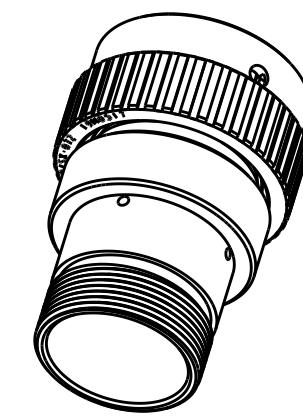
LOC	DIST	P	LTR	DESCRIPTION	DATE	DWN	APVD
-	-		A	REVISED PER E.O. P21009	19JUL2011	-	RDR
			A1	REVISED PER ECO-15-001798	19MAR2015	VNB	DM
			A2	REVISED PER PCN :E-17-011464	18AUG2017	DD	DM
			A3	REVISED PER PCN E-20-000705	27JAN2020	PK	DM

MAIN POLARIZING KEY



1.1875-18UNEF-2A

ADAPTER 3  
 PLUG HOUSING 3



3D VIEW

4 DATE CODE: IDENTIFIES THE YEAR, MONTH, DAY AND HOUR OF ASSEMBLY.  
 YEAR: FIRST AND SECOND DIGITS. (14=2014)  
 MONTH: THIRD DIGIT, EXCLUDING I.A=JAN., B=FEB., C=MARCH... (K=OCT.)  
 DAY: FOURTH AND FIFTH DIGITS (14=14th DAY)  
 HOUR: SIXTH AND SEVENTH DIGITS (11=11AM)

3 MATERIAL:  
 PLUG HOUSING: 6061-T6 ALUMINIUM ALLOY,  
 RETAINER RING: PA66 GF10,  
 GROMMET: SILICONE VMQ (RED),  
 ADAPTER: 6061-T6 ALUMINIUM ALLOY

2. THE CONNECTOR MATES WITH HD34-18-XXS/PX-XXXX  
 X = SEAL DESIGNATION, XX = NUMBER OF CAVITIES,  
 XXXX = MODIFICATION DESIGNATION.

1. FOR ARRANGEMENT OF CONTACT LOCATION SEE ENVELOPE  
 DRAWING 0425-013-1800

NOTES:

THIS DRAWING IS A CONTROLLED DOCUMENT.		DWN 04SEP2008 I. GRANTCHAROVA		
DIMENSIONS: INCHES [mm]		CHK 14JUL2011 B. BAYFORD		
TOLERANCES UNLESS OTHERWISE SPECIFIED:		APVD 12JUL2011 S. BEARD	NAME PLUG CONNECTOR SHELL SIZE 18 BAYONET COUPLING-072 MOD. HD30 SERIES	
0 PLC ±- 1 PLC ±- 2 PLC ±- 3 PLC ±.010 [±.254] 4 PLC ±- ANGLES ±0°30'0"		PRODUCT SPEC 108-151014	SIZE A3	RESTRICTED TO -
MATERIAL 3		APPLICATION SPEC 114-151014	CAGE CODE -	DRAWING NO HD36-18-XXP/SX-072
FINISH -		WEIGHT 78g	SCALE NONE	SHEET 1 OF 1
		Customer Drawing	REV A3	

## X-ON Electronics

Largest Supplier of Electrical and Electronic Components

*Click to view similar products for [Automotive Connectors](#) category:*

*Click to view products by [TE Connectivity](#) manufacturer:*

Other Similar products are found below :

[003-018-000](#) [60403001](#) [60993906-B](#) [M902-2131](#) [M902-2161](#) [M902-2344](#) [72.330.1035.1](#) [73.353.4028.0](#) [F119300-B](#) [F166900](#) [F258300-B](#)  
[F358300-B](#) [F407400](#) [F444110](#) [F487000](#) [F509500B-B](#) [827153-1](#) [8N1515-32-24P](#) [9-1326729-8](#) [925474-1](#) [928905-1](#) [964562-4](#) [968782-1](#)  
[GT17SA-8DS-HU](#) [98891-1012](#) [98947-1016](#) [12004147](#) [12004475-L](#) [12010290](#) [12010309-B](#) [12015454](#) [12020219-B](#) [12041318-B](#) [12052225-](#)  
[L](#) [12052466](#) [12064869](#) [12004327-B](#) [12015308](#) [12015384](#) [12015909](#) [1-21030-1](#) [12041254](#) [12041318](#) [12047946-B](#) [12047957](#) [12047957-L](#)  
[12059473](#) [12066261](#) [12110546](#) [12110546-B](#)