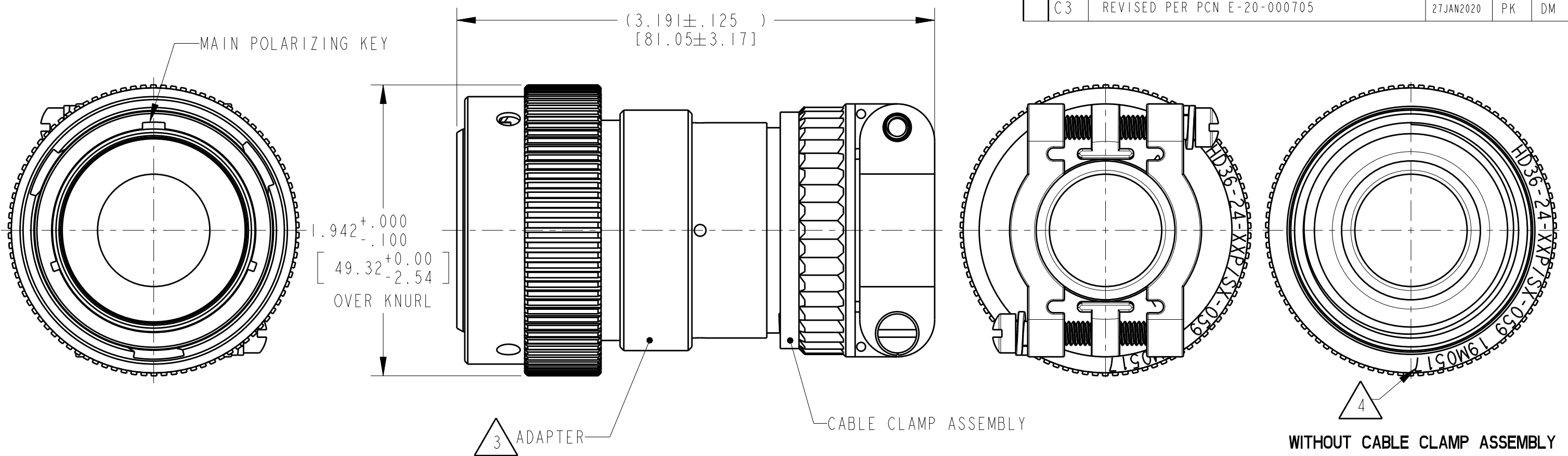


THIS DRAWING IS UNPUBLISHED  
 RELEASED FOR PUBLICATION 2015  
 © COPYRIGHT 2015 BY TE CONNECTIVITY ALL RIGHTS RESERVED.

| LOC | DIST | REVISIONS   |                             |           |      |     |
|-----|------|-------------|-----------------------------|-----------|------|-----|
| P   | LTR  | DESCRIPTION | DATE                        | DWN       | APVD |     |
| -   | -    | C           | REVISED PER E.O. P21009     | 19JUL2011 | -    | RDR |
|     |      | C1          | REVISED PER ECO-15-001798   | 19MAR2015 | PV   | RDR |
|     |      | C2          | REVISED PER PCN-19-015890   | 11OCT2019 | AP   | IG  |
|     |      | C3          | REVISED PER PCN E-20-000705 | 27JAN2020 | PK   | DM  |



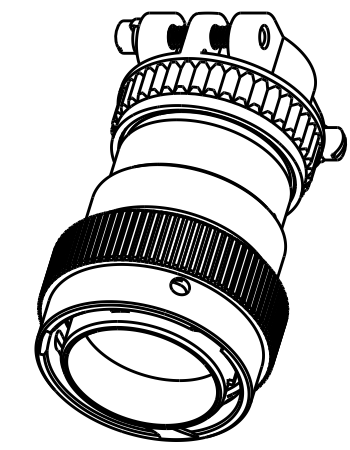
4 DATE CODE: IDENTIFIES THE YEAR, MONTH, DAY AND HOUR OF ASSEMBLY.  
 YEAR: FIRST AND SECOND DIGITS. (14=2014)  
 MONTH: THIRD DIGIT, EXCLUDING 1. A=JAN., B=FEB., C=MARCH... (K=OCT.)  
 DAY: FOURTH AND FIFTH DIGITS (14=14th DAY)  
 HOUR: SIXTH AND SEVENTH DIGITS (11=11AM)

3 MATERIAL:  
 ADAPTER: 6061-T6 ALUMINIUM ALLOY,  
 GROMMET: SILICONE VMQ (RED),  
 RETAINER RING: PA66 GF10.

2. THE CONNECTOR MATES WITH HD34-24-XXS/PX-XXXX  
 X = SEAL DESIGNATION, XX = NUMBER OF CAVITIES,  
 XXXX = MODIFICATION DESIGNATION.

1. SEE DRAWING 0425-014-2400 FOR ARRANGEMENT OF CONTACT LOCATION

NOTES:



3D VIEW

|  |                     |                             |                                  |                 |
|--|---------------------|-----------------------------|----------------------------------|-----------------|
| THIS DRAWING IS A CONTROLLED DOCUMENT. |                     | DWN X. SANCHEZ 17APR2003    |                                  |                 |
| DIMENSIONS: INCHES [mm]                |                     | CHK J. APOSTOL 13MAY2003    |                                  |                 |
| TOLERANCES UNLESS OTHERWISE SPECIFIED: |                     | APVD R. REED 16MAY2003      | NAME                             |                 |
| 0 PLC ±-                               | 1 PLC ±-            | PRODUCT SPEC 108-151014     | PLUG CONNECTOR, SHELL SIZE 24    |                 |
| 2 PLC ±-                               | 3 PLC ±.010 [±.254] | APPLICATION SPEC 114-151014 | BAYONET COUPLING, MOD -059       |                 |
| 4 PLC ±-                               | ANGLES ±° 30' 0"    | WEIGHT 144g                 | SIZE A3                          | CAGE CODE -     |
| MATERIAL 3                             | FINISH -            | Customer Drawing            | DRAWING NO. C=HD36-24-XXP/SX-059 | RESTRICTED TO - |
|  |                     |                             | SCALE NONE                       | SHEET 1 OF 1    |
|  |                     |                             | REV C3                           |                 |

## X-ON Electronics

Largest Supplier of Electrical and Electronic Components

*Click to view similar products for [Automotive Connectors](#) category:*

*Click to view products by [TE Connectivity](#) manufacturer:*

Other Similar products are found below :

[003-018-000](#) [60403001](#) [60993906-B](#) [M902-2131](#) [M902-2161](#) [72.330.1035.1](#) [73.353.4028.0](#) [F119300-B](#) [F166900](#) [F258300-B](#) [F358300-B](#)  
[F407400](#) [F444110](#) [F487000](#) [F509500B-B](#) [827153-1](#) [8N1515-32-24P](#) [9-1326729-8](#) [925474-1](#) [928905-1](#) [964562-4](#) [968782-1](#) [GT17SA-8DS-](#)  
[HU](#) [98891-1012](#) [98947-1016](#) [12004147](#) [12004475-L](#) [12010290](#) [12010309-B](#) [12015454](#) [12020219-B](#) [12020308](#) [12041318-B](#) [12052225-L](#)  
[12052466](#) [12059125](#) [12064869](#) [12004327-B](#) [12010503-B](#) [12015308](#) [12015384](#) [12015909](#) [1-21030-1](#) [12041254](#) [12041318](#) [12047946-B](#)  
[12047957](#) [12047957-L](#) [12059473](#) [12066261](#)