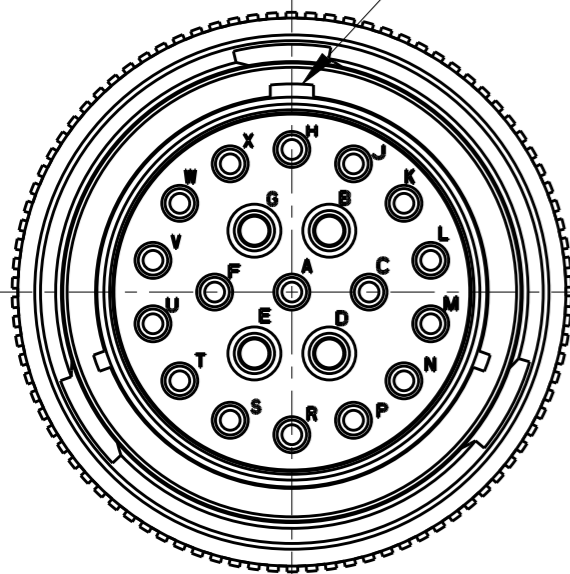
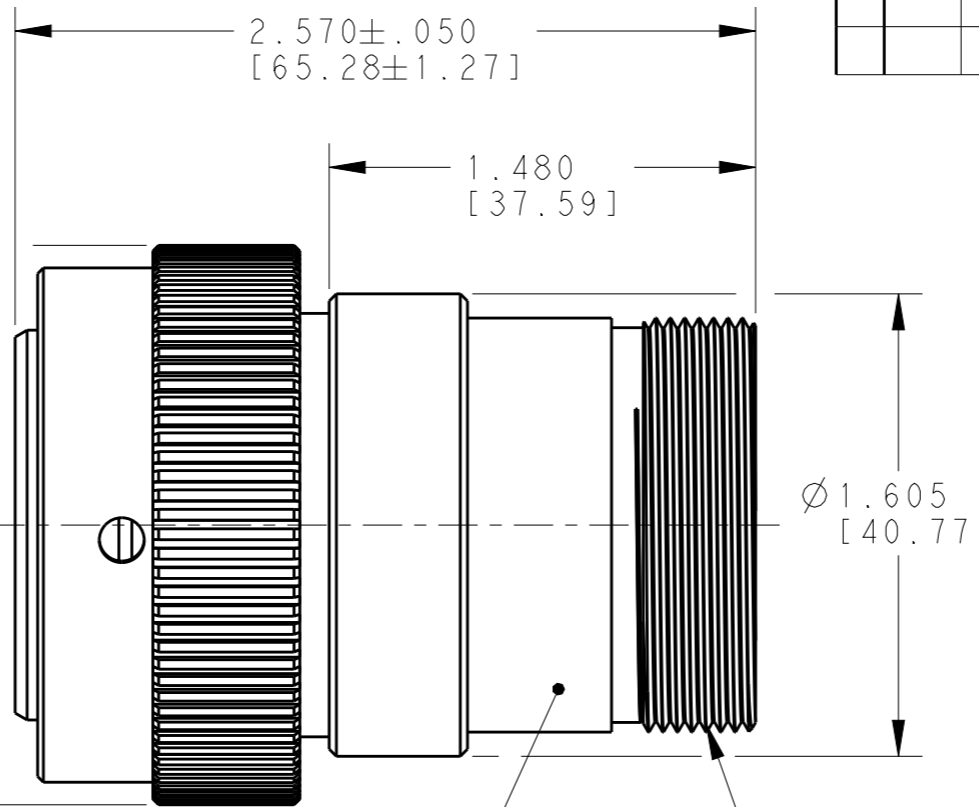


LOC	DIST	REVISIONS			
P	LTR	DESCRIPTION	DATE	DWN	APVD
	A	NEW RELEASE PER ECO-14-013992	06OCT2014	JA	DM
	A1	REVISED PER PCN E-20-000705	27JAN2020	PK	DM

MAIN POLARIZING KEY



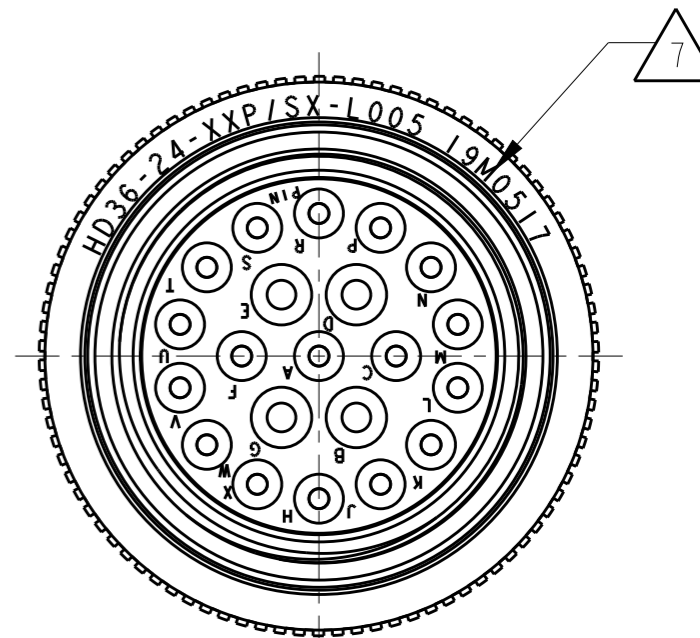
$\varnothing 1.942^{+.000}_{-.100}$
 [49.32⁰ - 2.54]
 OVER KNURL



ADAPTOR

$\varnothing 1.605$
 [40.77]

1.4375-18UNEF-2A



DATE CODE: IDENTIFIES THE YEAR, MONTH, DAY AND HOUR OF ASSEMBLY.
 YEAR: FIRST AND SECOND DIGITS. (14=2014)
 MONTH: THIRD DIGIT, EXCLUDING I. A=JAN., B=FEB., C=MARCH... (K=OCT.)
 DAY: FOURTH AND FIFTH DIGITS (14=14th DAY)
 HOUR: SIXTH AND SEVENTH DIGITS (11=11AM)



MATERIAL: SHELL, COUPLING RING AND ADAPTOR: ALUMINUM ALLOY 6061-T6, SEAL: SILICONE MQ, RETAINING RING : PA66 GF10

- FOR ARRANGEMENT OF CONTACT LOCATION SEE ENVELOPE DWG 0425-014-2400.
- FOR CONNECTOR PERFORMANCE AND APPLICATION INFORMATION, SEE DRAWING NUMBER 0425-016-0000.
- THIS CONNECTOR MATES WITH PART NO. HD34-24-XXS/PX-XXXX. XX= NUMBER OF CAVITIES, X= TYPE OF SEAL, XXXX= ALL MODIFICATION.
- 21 PIN ARRANGEMENT SHOWN FOR REFERENCE ONLY.
- CONSULT FACTORY FOR ELECTRICAL AND MATERIAL SPECIFICATIONS.

NOTES:



THIS DRAWING IS A CONTROLLED DOCUMENT.		DWN 06OCT2014 JAIME C. APOSTOL															
DIMENSIONS: INCHES [mm]		CHK 06OCT2014 ILINA GRANICHAROVA															
TOLERANCES UNLESS OTHERWISE SPECIFIED:		APVD 06OCT2014 DAVID MEYER		NAME PLUG CONNECTOR SIZE 24 BAYONET COUPLING -L005 MOD HD SERIES													
<table border="0"> <tr><td>0 PLC</td><td>±</td></tr> <tr><td>1 PLC</td><td>±</td></tr> <tr><td>2 PLC</td><td>±</td></tr> <tr><td>3 PLC</td><td>±.010 [.254]</td></tr> <tr><td>4 PLC</td><td>±</td></tr> <tr><td>ANGLES</td><td>±0°30'0"</td></tr> </table>		0 PLC	±	1 PLC	±	2 PLC	±	3 PLC	±.010 [.254]	4 PLC	±	ANGLES	±0°30'0"	PRODUCT SPEC 108-151014		SIZE A3	
0 PLC	±																
1 PLC	±																
2 PLC	±																
3 PLC	±.010 [.254]																
4 PLC	±																
ANGLES	±0°30'0"																
MATERIAL 6		FINISH N/A		APPLICATION SPEC 114-151014													
		WEIGHT 89g		CAGE CODE 4AFU8													
		Customer Drawing		DRAWING NO HD36-24-XXP/SX-L005													
		SCALE NONE		RESTRICTED TO -													
		SHEET 1		OF 1													
		REV A1															

X-ON Electronics

Largest Supplier of Electrical and Electronic Components

Click to view similar products for [Automotive Connectors](#) category:

Click to view products by [TE Connectivity](#) manufacturer:

Other Similar products are found below :

[003-018-000](#) [60993906-B](#) [M902-2131](#) [M902-2161](#) [M902-2344](#) [72.330.1035.1](#) [73.353.4028.0](#) [F166900](#) [F358300-B](#) [F407400](#) [776880-1](#)
[827153-1](#) [8N1515-32-24P](#) [9-1326729-8](#) [925474-1](#) [928905-1](#) [964562-4](#) [968782-1](#) [98891-1012](#) [12004475-L](#) [12020308](#) [12041318-B](#)
[12052466](#) [12064869](#) [12015909](#) [1-21030-1](#) [12041254](#) [12041318](#) [12047946-B](#) [12110546-B](#) [12131792](#) [12084688](#) [12092346](#) [HD34-18-14PT](#)
[HD46-24-23SN-059](#) [HDB36-24-16PN-059](#) [HDP26-24-9SE-L015](#) [12185280](#) [12185550](#) [12336-12](#) [12191172-B](#) [12S](#) [13545280](#) [13577943](#)
[13681974](#) [13737722-B](#) [13830674](#) [13832576](#) [13849772](#) [13542772](#)