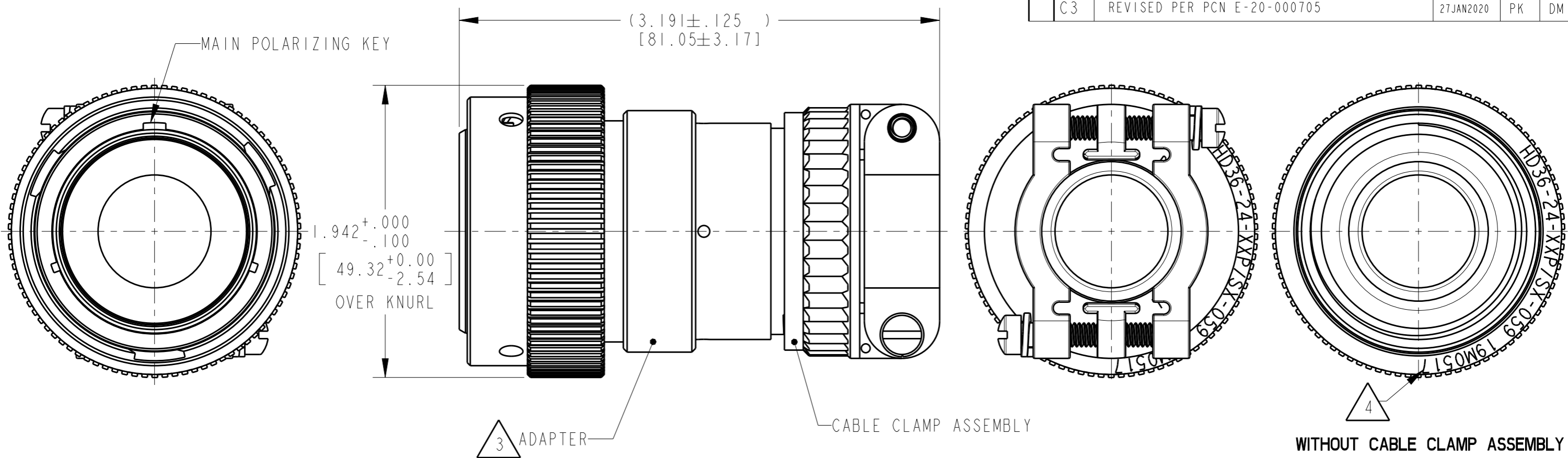


THIS DRAWING IS UNPUBLISHED
 RELEASED FOR PUBLICATION 2015
 © COPYRIGHT 2015 BY TE CONNECTIVITY ALL RIGHTS RESERVED.

| LOC | DIST | P | LTR | DESCRIPTION | DATE | DWN | APVD |
|-----|------|---|-----|-----------------------------|-----------|-----|------|
| - | - | | C | REVISED PER E.O. P21009 | 19JUL2011 | - | RDR |
| | | | C1 | REVISED PER ECO-15-001798 | 19MAR2015 | PV | RDR |
| | | | C2 | REVISED PER PCN-19-015890 | 11OCT2019 | AP | IG |
| | | | C3 | REVISED PER PCN E-20-000705 | 27JAN2020 | PK | DM |



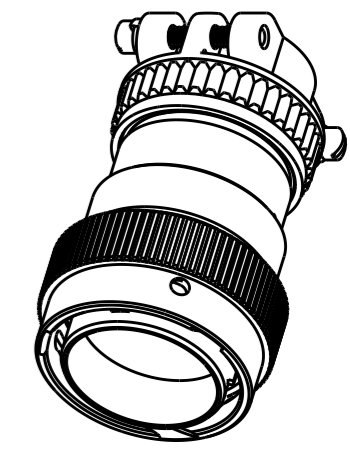
4 DATE CODE: IDENTIFIES THE YEAR, MONTH, DAY AND HOUR OF ASSEMBLY.
 YEAR: FIRST AND SECOND DIGITS. (14=2014)
 MONTH: THIRD DIGIT, EXCLUDING I. A=JAN., B=FEB., C=MARCH... (K=OCT.)
 DAY: FOURTH AND FIFTH DIGITS (14=14th DAY)
 HOUR: SIXTH AND SEVENTH DIGITS (11=11AM)

3 MATERIAL:
 ADAPTER: 6061-T6 ALUMINIUM ALLOY,
 GROMMET: SILICONE VMQ (RED),
 RETAINER RING: PA66 GF10.

2. THE CONNECTOR MATES WITH HD34-24-XXS/PX-XXXX
 X = SEAL DESIGNATION, XX = NUMBER OF CAVITIES,
 XXXX = MODIFICATION DESIGNATION.

1. SEE DRAWING 0425-014-2400 FOR ARRANGEMENT OF CONTACT LOCATION

NOTES:



3D VIEW

| | | | | |
|--|--|-----------------------------|-------------------------------|--------------------------------|
| THIS DRAWING IS A CONTROLLED DOCUMENT. | | DWN X. SANCHEZ 17APR2003 | | |
| DIMENSIONS: INCHES [mm] | | CHK J. APOSTOL 13MAY2003 | | |
| TOLERANCES UNLESS OTHERWISE SPECIFIED: | | APVD R. REED 16MAY2003 | NAME | |
| 0 PLC ±- | | PRODUCT SPEC 108-151014 | PLUG CONNECTOR, SHELL SIZE 24 | |
| 1 PLC ±- | | APPLICATION SPEC 114-151014 | BAYONET COUPLING, MOD -059 | |
| 2 PLC ±- | | WEIGHT 144g | SIZE A3 | RESTRICTED TO |
| 3 PLC ±.010 [±.254] | | Customer Drawing | CAGE CODE - | DRAWING NO. HD36-24-XXP/SX-059 |
| 4 PLC ±- | | | SCALE NONE | SHEET 1 OF 1 |
| ANGLES ±° 30' 0" | | | | REV C3 |
| FINISH - | | | | |

X-ON Electronics

Largest Supplier of Electrical and Electronic Components

Click to view similar products for [Automotive Connectors](#) category:

Click to view products by [TE Connectivity](#) manufacturer:

Other Similar products are found below :

[003-018-000](#) [60403001](#) [60993906-B](#) [M902-2131](#) [M902-2161](#) [72.330.1035.1](#) [73.353.4028.0](#) [F119300-B](#) [F166900](#) [F258300-B](#) [F358300-B](#)
[F407400](#) [F444110](#) [F487000](#) [F509500B-B](#) [827153-1](#) [8N1515-32-24P](#) [9-1326729-8](#) [925474-1](#) [928905-1](#) [964562-4](#) [968782-1](#) [GT17SA-8DS-](#)
[HU](#) [98891-1012](#) [98947-1016](#) [12004147](#) [12004475-L](#) [12010290](#) [12010309-B](#) [12015454](#) [12020219-B](#) [12020308](#) [12041318-B](#) [12052225-L](#)
[12052466](#) [12059125](#) [12064869](#) [12004327-B](#) [12010503-B](#) [12015308](#) [12015384](#) [12015909](#) [1-21030-1](#) [12041254](#) [12041318](#) [12047946-B](#)
[12047957](#) [12047957-L](#) [12059473](#) [12066261](#)