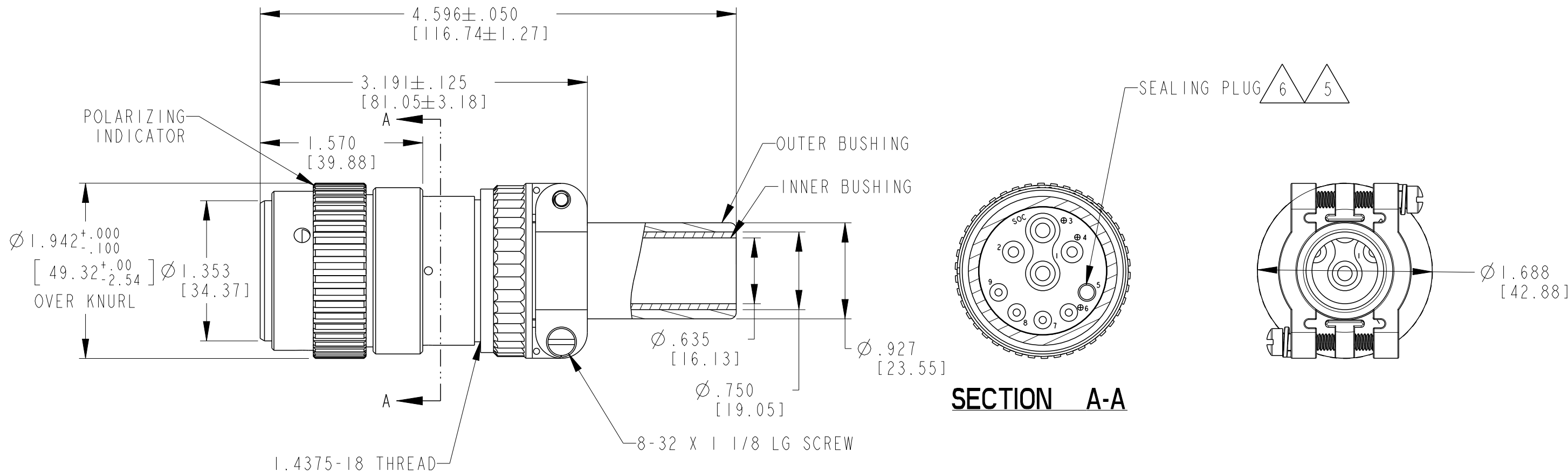


P	LTR	DESCRIPTION	DATE	DWN	APVD
	NC	NEW RELEASE PER E.O. P19108	13DEC2005	RM	RDR
	A	REVISED PER ECR-21-000055	15JAN2021	AP	IG



- 6. CAVITY 5 IS WITH CONTACT SIZE 16 AND THE GROMMET IS SEALED.
- 5. CONTACTS 4 AND 5 ARE INTERNALLY CONNECTED. (BUILT-IN BRIDGE)
- 4. CABLE CLAMP ACCEPTS CABLE O.D. Ø.300 MIN. THRU Ø.948 MAX.
- 3. FOR CONTACTS AND WIRES PERFORMANCE AND APPLICATION CHARACTERISTICS SEE ENVELOPE DRAWING 0425-015-0000.
- 2. FOR PERFORMANCE AND APPLICATION CHARACTERISTICS SEE ENVELOPE DRAWING 0425-016-0000.
- 1. CONSULT THE FACTORY FOR ELECTRICAL AND MATERIAL SPECIFICATIONS.

- 8. BREAKAWAY FUNCTION OCCURS AT AN AXIAL LOAD OF 50 TO 100 LBS.
- 7. THIS CONNECTOR MATES WITH HD34-24-91P*-**** (* = SEAL TYPE, **** = ALL MODIFICATIONS) AND HDBOX24-91P*.

NOTES:

THIS DRAWING IS A CONTROLLED DOCUMENT.		DWN R. MESSENGER 29NOV2005														
DIMENSIONS: INCHES [mm]		CHK B. BYFORD 13DEC2005														
TOLERANCES UNLESS OTHERWISE SPECIFIED:		APVD S. BEARD 13DEC2005	NAME PLUG, BREAKAWAY BAYONET COUPLING CONNECTOR 24-91 ARR. 059 MOD HDB SERIES													
<table border="1"> <tr> <td>0 PLC</td> <td>±</td> </tr> <tr> <td>1 PLC</td> <td>±</td> </tr> <tr> <td>2 PLC</td> <td>±.025 [0.63]</td> </tr> <tr> <td>3 PLC</td> <td>±</td> </tr> <tr> <td>4 PLC</td> <td>±</td> </tr> <tr> <td>ANGLES</td> <td>±</td> </tr> </table>		0 PLC	±	1 PLC	±	2 PLC	±.025 [0.63]	3 PLC	±	4 PLC	±	ANGLES	±	PRODUCT SPEC 108-151014	SIZE A3	
0 PLC	±															
1 PLC	±															
2 PLC	±.025 [0.63]															
3 PLC	±															
4 PLC	±															
ANGLES	±															
MATERIAL		APPLICATION SPEC 114-151014	CAGE CODE 00779	DRAWING NO G-HDB36-24-91SX-059												
FINISH		WEIGHT	RESTRICTED TO -													
		CUSTOMER DRAWING	SCALE 1:1	SHEET 1 OF 1												
			REV A													

X-ON Electronics

Largest Supplier of Electrical and Electronic Components

Click to view similar products for [Automotive Connectors](#) category:

Click to view products by [TE Connectivity](#) manufacturer:

Other Similar products are found below :

[003-018-000](#) [60993906-B](#) [M902-2131](#) [M902-2161](#) [M902-2344](#) [72.330.1035.1](#) [73.353.4028.0](#) [F166900](#) [F358300-B](#) [F407400](#) [776880-1](#)
[827153-1](#) [8N1515-32-24P](#) [9-1326729-8](#) [925474-1](#) [928905-1](#) [964562-4](#) [968782-1](#) [98891-1012](#) [12004475-L](#) [12020308](#) [12041318-B](#)
[12052466](#) [12064869](#) [12015909](#) [1-21030-1](#) [12041254](#) [12041318](#) [12047946-B](#) [12110546-B](#) [12131792](#) [12084688](#) [12092346](#) [HD34-18-14PT](#)
[HD46-24-23SN-059](#) [HDB36-24-16PN-059](#) [HDP26-24-9SE-L015](#) [12185280](#) [12185550](#) [12336-12](#) [12191172-B](#) [12S](#) [13545280](#) [13577943](#)
[13681974](#) [13737722-B](#) [13830674](#) [13832576](#) [13849772](#) [13542772](#)