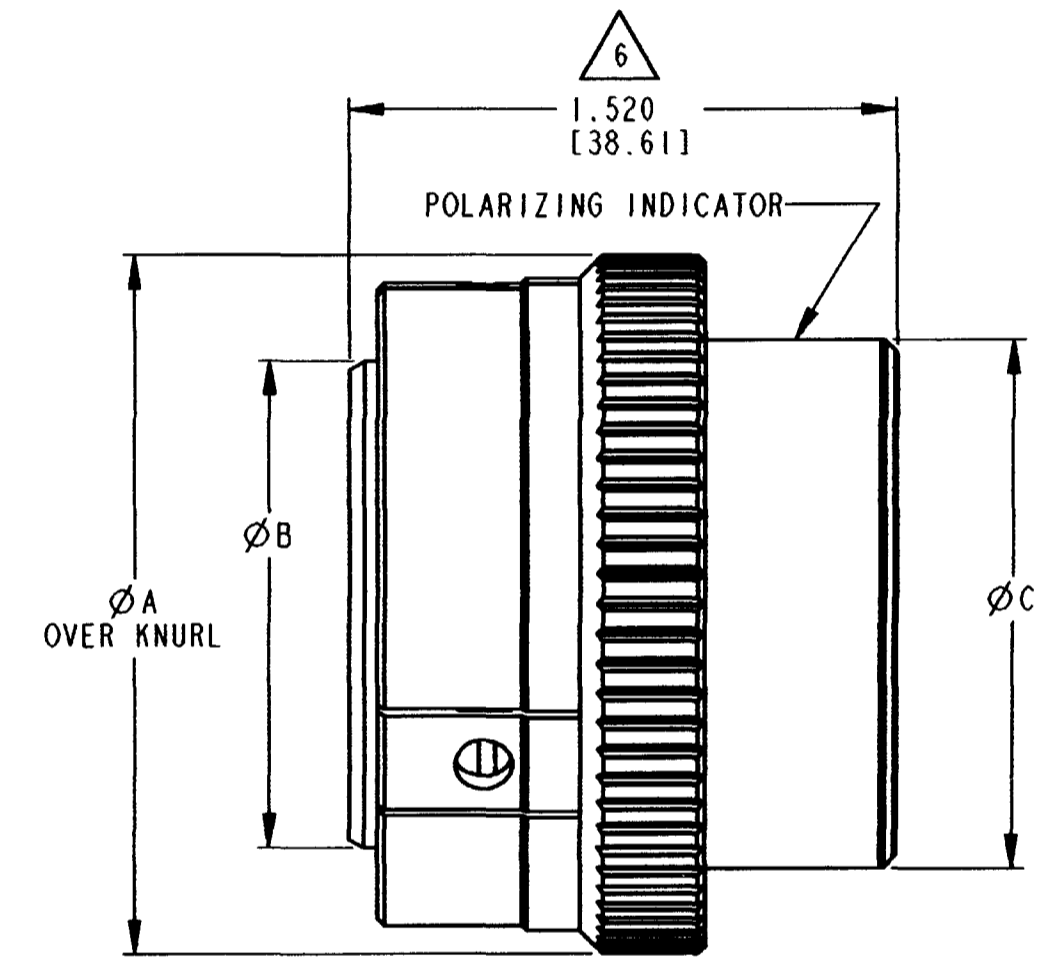
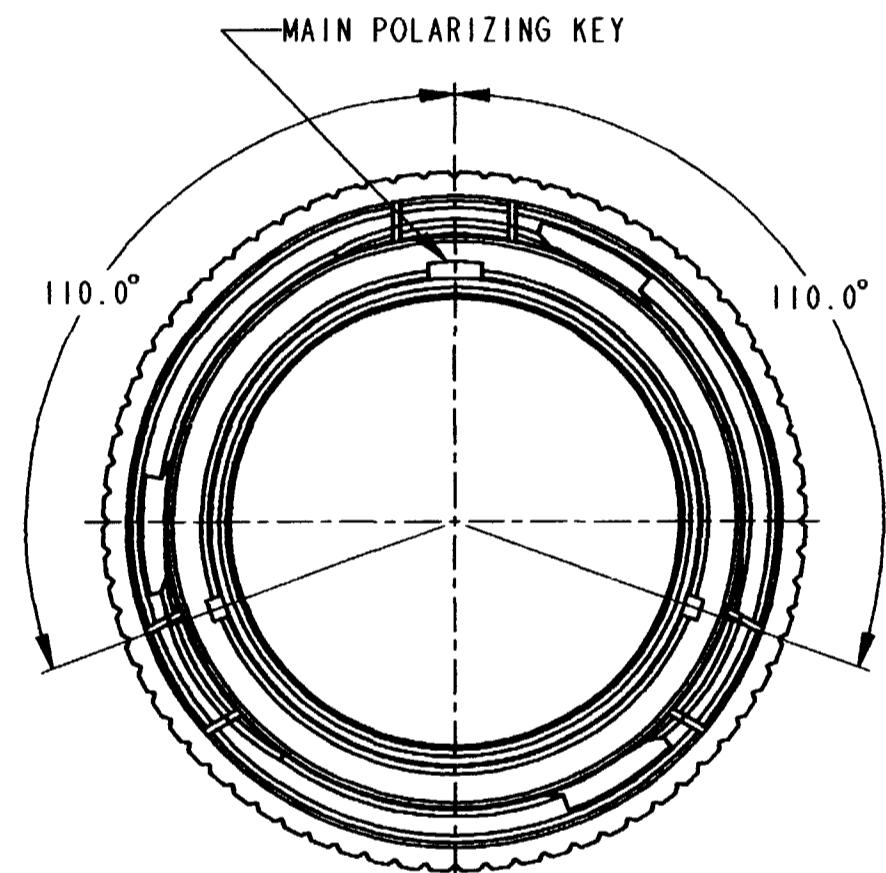


SIZE	A	B	C
	$\begin{matrix} +.000 \\ -.100 \end{matrix} \begin{matrix} [+0.00] \\ [-2.54] \end{matrix}$		
18	1.692[42.98]	1.103[28.02]	1.220[30.99]
24	1.942[49.32]	1.353[34.37]	1.470[37.34]

REV NC HDB36-\*\*\*P/S\*

REVISIONS			
SYM	DESCRIPTION	DATE	APPROVED
NC	NEW RELEASE PER E.O. P19240	5/1/06	RDR



6. TOTAL DIM. WITH EXTENDED WIRE SEAL (WITH CONTACTS #4 OR #8 ONLY) = 1.750±.050 [44.45±1.27].

- 5. FOR CONTACTS AND WIRES PERFORMANCE AND APPLICATION CHARACTERISTICS SEE ENVELOPE DRAWING 0425-015-0000.
- 4. FOR ARRANGEMENT OF CONTACT LOCATIONS SEE ENVELOPE DRAWINGS 0425-014-2400 AND 0425-013-1800.
- 3. FOR PERFORMANCE AND APPLICATION CHARACTERISTICS SEE ENVELOPE DRAWING 0425-016-0000.
- 2. DIMENSIONS ARE IN INCHES [MILLIMETERS].

NOTES: 1. CONSULT THE FACTORY FOR ELECTRICAL AND MATERIAL SPECIFICATIONS.

- 9. BREAKAWAY FUNCTION OCCURS AT AN AXIAL LOAD OF 50 TO 100 LBS.
- 8. DIMENSION TOLERANCE IS ±.025 [.63] UNLESS OTHERWISE SPECIFIED.
- 7. THIS CONNECTOR MATES WITH HD34-\*\*-\*\*P/S\*-\*\*\*\* (\*\*=SEAL TYPE). (\*\*<sub>1</sub> = SIZE, \*\*<sub>2</sub> = ARRANGEMENT)

SIGNATURE & DATE		PLUG CONNECTOR SHELL SIZE 18 & 24 BAYONET COUPLING HDB SERIES	CP	MATL. CODE
DR	R. MESSENGER 4/26/06		The Deutch Company DEUTSCH I.P.D. 3850 INDUSTRIAL AVE. HEMET, CALIF. 92545	
CHK	R. Messenger 5/8/06		B HDB36-***P/S*	
PE	R. Messenger 5/2/06		DWG SIZE	CODE 11139 SHEET   OF
APPD	S Bend 5-2-06	ENVELOPE		
SCALE	NONE	WT		

## X-ON Electronics

Largest Supplier of Electrical and Electronic Components

*Click to view similar products for [Automotive Connectors](#) category:*

*Click to view products by [TE Connectivity](#) manufacturer:*

Other Similar products are found below :

[003-018-000](#) [60403001](#) [60993906-B](#) [M902-2131](#) [M902-2161](#) [72.330.1035.1](#) [73.353.4028.0](#) [F119300-B](#) [F166900](#) [F258300-B](#) [F358300-B](#)  
[F407400](#) [F444110](#) [F487000](#) [F509500B-B](#) [827153-1](#) [8N1515-32-24P](#) [9-1326729-8](#) [925474-1](#) [928905-1](#) [964562-4](#) [968782-1](#) [GT17SA-8DS-](#)  
[HU](#) [98891-1012](#) [98947-1016](#) [12004147](#) [12004475-L](#) [12010290](#) [12010309-B](#) [12015454](#) [12020219-B](#) [12020308](#) [12041318-B](#) [12052225-L](#)  
[12052466](#) [12059125](#) [12064869](#) [12004327-B](#) [12010503-B](#) [12015308](#) [12015384](#) [12015909](#) [1-21030-1](#) [12041254](#) [12041318](#) [12047946-B](#)  
[12047957](#) [12047957-L](#) [12059473](#) [12066261](#)