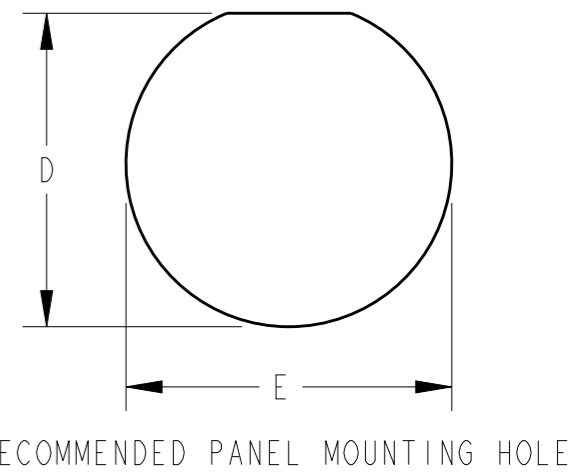
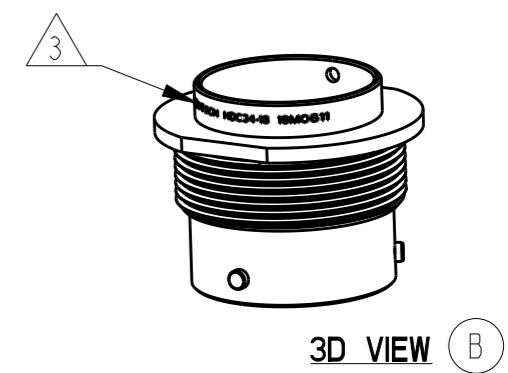
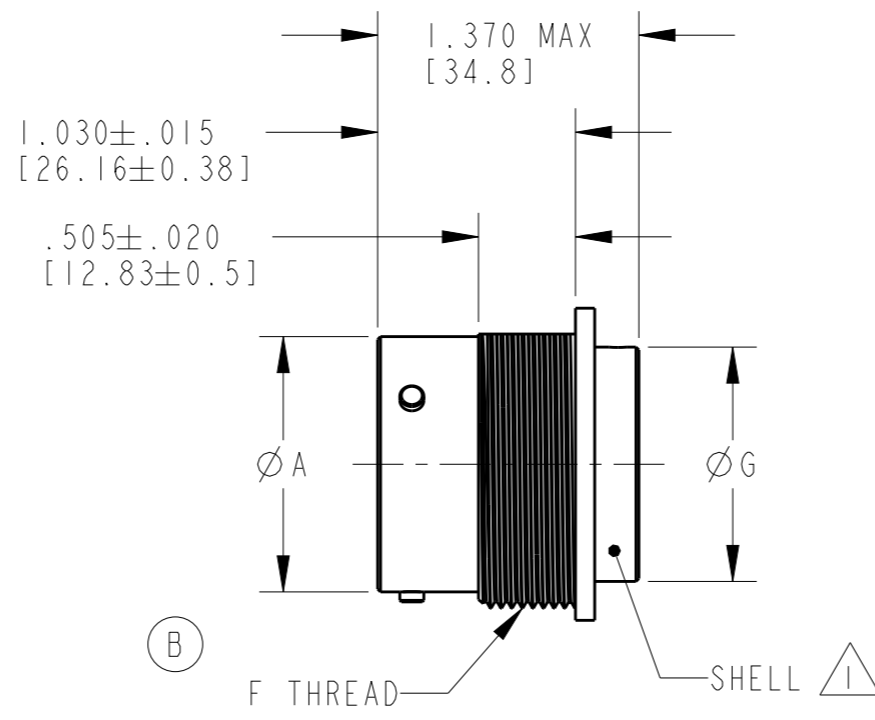
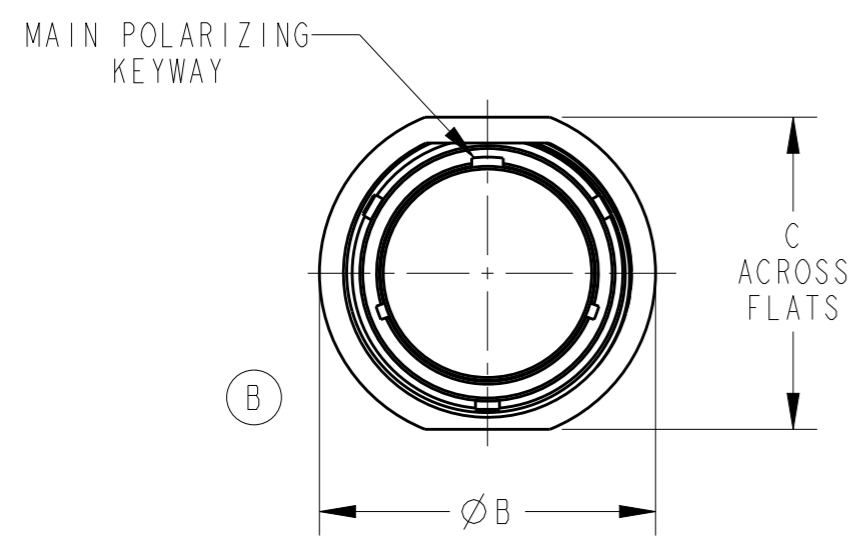


THIS DRAWING IS UNPUBLISHED  
 RELEASED FOR PUBLICATION 2014  
 © COPYRIGHT 2014 BY TE CONNECTIVITY ALL RIGHTS RESERVED.

LOC	DIST	REVISIONS			
P	LTR	DESCRIPTION	DATE	DWN	APVD
-	-	NC	NEW RELEASE PER E.O. A1414	16MAY1984	- MM
		A	REVISED/REDRAWN PER E.O. P21334	02APR2012	- RDR
		A1	REVISED PER ECO-15-001798	19AUG2014	PV DM
		B	REVISED PER E-20-008459	08JUL2020	CO IG



SHELL SIZE XX	A	B ±.010 [±.254]	C MAX.	D +.010/- .000 [+0.25/- .000]	E ±.005 [±0.12]	F THREAD REF	G
18	1.329 [33.75]	1.750 [44.45]	1.625 [41.27]	1.442 [36.62]	1.507 [38.27]	1.500 - 18 UNEF	1.220 [30.98]
24	1.579 [40.10]	2.000 [50.8]	1.875 [47.62]	1.632 [41.45]	1.696 [43.07]	1.6875 - 18 UNEF	1.470 [37.33]

3 DATE CODE: IDENTIFIES THE YEAR, MONTH, DAY AND HOUR OF ASSEMBLY. (B)  
 YEAR: FIRST AND SECOND DIGIT (19 = 2019).  
 MONTH: THIRD DIGIT, EXCLUDING "1", A=JAN, B=FEB, ...M=DEC.  
 DAY: FOURTH AND FIFTH DIGITS (06 = 6th DAY)  
 HOUR: SIXTH AND SEVENTH DIGITS (11 = 11AM)

2. RECOMMENDED PANEL THICKNESS .062[1.57] MIN. TO .1875[4.76] MAX.

1. MATERIAL: SHELL : ALUMINUM.

NOTES:

THIS DRAWING IS A CONTROLLED DOCUMENT.

DWN 30OCT2014 VIJETH BHARADWAJ  
 CHK 31OCT2014 I. GRANTCHAROVA  
 APVD 31OCT2014 D MEYER

**STE** TE Connectivity

NAME: COVER, PROTECTIVE BAYONET COUPLING (TO MATE WITH PLUG)

DIMENSIONS: INCHES [mm] TOLERANCES UNLESS OTHERWISE SPECIFIED:  
 0 PLC ±  
 1 PLC ±  
 2 PLC ±  
 3 PLC ±.010 [±.254]  
 4 PLC ±  
 ANGLES ±0° 30' 0"

MATERIAL SEE NOTE FINISH -

PRODUCT SPEC -  
 APPLICATION SPEC -  
 WEIGHT -

SIZE A3 CAGE CODE - DRAWING NO. C-HDC34-XX-1E RESTRICTED TO -

Customer Drawing SCALE SHEET OF REV B

## X-ON Electronics

Largest Supplier of Electrical and Electronic Components

*Click to view similar products for [Automotive Connectors](#) category:*

*Click to view products by [TE Connectivity](#) manufacturer:*

Other Similar products are found below :

[003-018-000](#) [60403001](#) [60993906-B](#) [M902-2131](#) [M902-2161](#) [M902-2344](#) [72.330.1035.1](#) [73.353.4028.0](#) [F119300-B](#) [F166900](#) [F258300-B](#)  
[F358300-B](#) [F407400](#) [F444110](#) [F487000](#) [F509500B-B](#) [827153-1](#) [8N1515-32-24P](#) [9-1326729-8](#) [925474-1](#) [928905-1](#) [964562-4](#) [968782-1](#)  
[GT17SA-8DS-HU](#) [98891-1012](#) [98947-1016](#) [12004147](#) [12004475-L](#) [12010290](#) [12010309-B](#) [12015454](#) [12020219-B](#) [12041318-B](#) [12052225-](#)  
[L](#) [12052466](#) [12064869](#) [12004327-B](#) [12015308](#) [12015384](#) [12015909](#) [1-21030-1](#) [12041254](#) [12041318](#) [12047946-B](#) [12047957](#) [12047957-L](#)  
[12059473](#) [12066261](#) [12110546](#) [12110546-B](#)