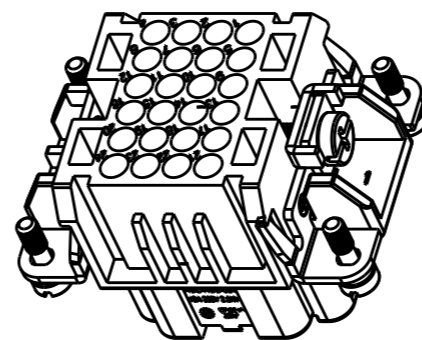
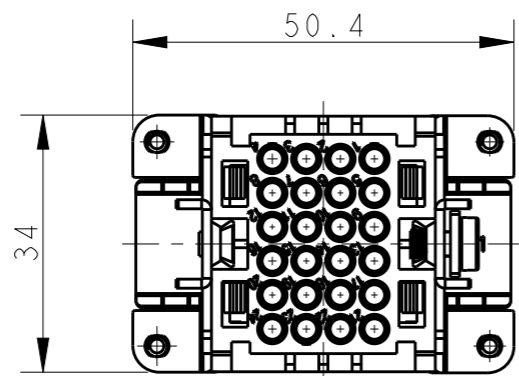


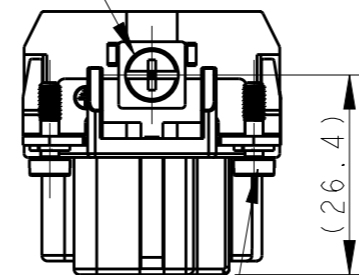
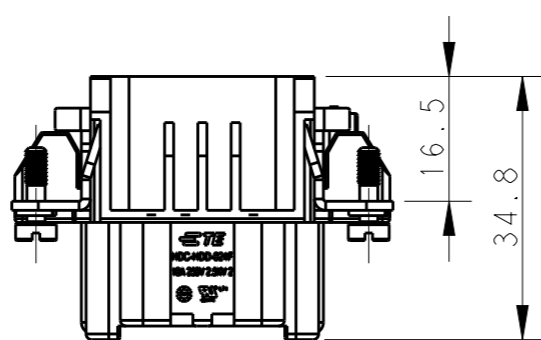
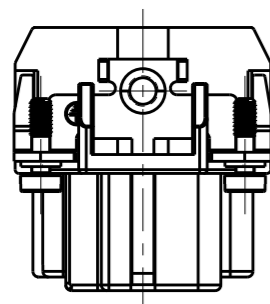
THIS DRAWING IS UNPUBLISHED. RELEASED FOR PUBLICATION 20
 © COPYRIGHT 20 BY - ALL RIGHTS RESERVED.

REVISIONS

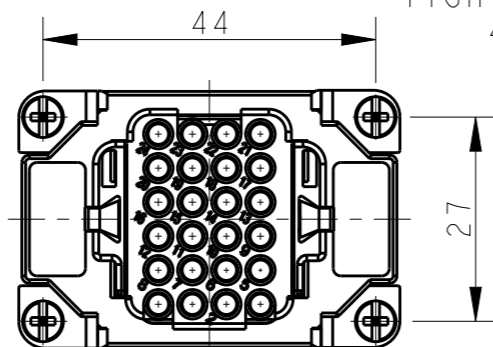
P	LTR	DESCRIPTION	DATE	DWN	APVD
A		INITIAL RELEASE	16MAR2015	DL	CW
B		ECR-15-013292	24SEP2015	DL	CW
B1		ECR-16-015492	15NOV2016	QY	CW



M4 SCREW RECOMMENDED
 TIGHTENING TORQUE 1.2Nm
 M4 螺丝, 推荐锁紧力矩1.2Nm



4X M3 SCREW RECOMMENDED
 TIGHTENING TORQUE 0.5Nm
 4X M3螺丝, 推荐锁紧力矩0.5Nm

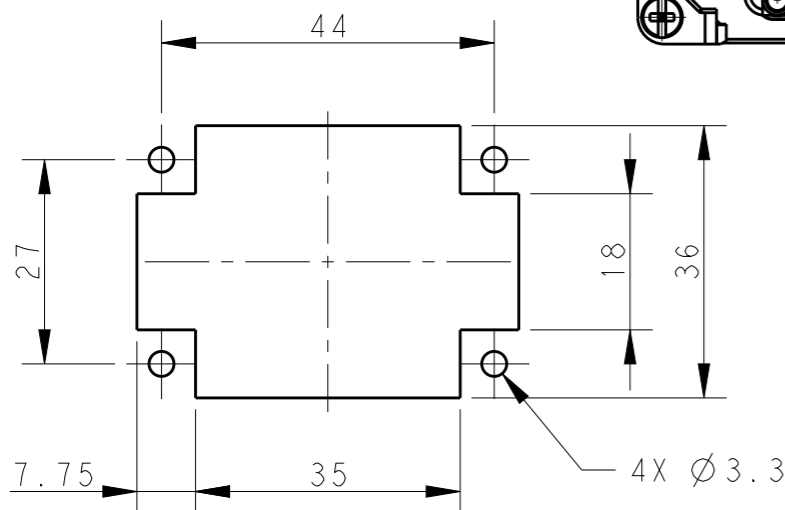


NOTES:

- TECHNICAL CHARACTERISTICS:
 INSULATION MATERIAL: PC
 RATED VOLTAGE: 250 V
 RATED CURRENT: 10 A
 INSULATION RESISTANCE: $\geq 400M\Omega$
 RATED IMPULSE VOLTAGE: 2.5 KV
 POLLUTION DEGREE: 2
 FLAMMABILITY: UL94V-0
 MATING CYCLES: 500 CYCLES
 WIRE RANGE: 0.14-2.5 mm² (26-14 AWG)
 CONTACT TYPE: CRIMP CONTACT
- CONTACT NEED TO BE ORDERED SEPARATELY.
 (ORDER No. REFER TO DRAWING: T20200X20XX000)

注释:

- 技术参数:
 绝缘材料: PC
 额定电压: 250V
 额定电流: 10A
 绝缘电阻: $\geq 400M\Omega$
 额定脉冲电压: 2.5 KV
 污染等级: 2
 阻燃等级: UL94V-0
 插拔次数: 500次
 接线范围: 0.14-2.5 mm² (26-14 AWG)
 接线类型: 冷压接
- 端子需要单独订购.
 (订货号参考图面: T20200X20XX000)



TYPE-1, T2030242201-000, TE LOGO
 类型-1, T2030242201-000, TE LOGO

PANEL CUT OUT FOR INSERTS FOR USING
 WITHOUT HOODS/HOUSINGS
 不用防护外壳时芯件的安装开孔图

THIS DRAWING IS A CONTROLLED DOCUMENT.		DWN DAVID LI 16MAR2015	TE Connectivity	
DIMENSIONS: mm		CHK CHRIS WANG 16MAR2015		
TOLERANCES UNLESS OTHERWISE SPECIFIED:		APVD XU XIANG 16MAR2015	NAME HDD-024-F	
0 PLC ±-		PRODUCT SPEC 108-137043	SIZE A3	
1 PLC ±-		APPLICATION SPEC 114-137043	CAGE CODE -	DRAWING NO. T2030242201000
2 PLC ±-		MATERIAL -	RESTRICTED TO -	SCALE 1:1
3 PLC ±-		FINISH -	WEIGHT -	SHEET 1 OF 2
4 PLC ±-			CUSTOMER DRAWING	REV B1
ANGLES ±-				

4

3

2

1

THIS DRAWING IS UNPUBLISHED.

RELEASED FOR PUBLICATION

20

© COPYRIGHT 20

BY -

ALL RIGHTS RESERVED.

REVISIONS

P	LTR	DESCRIPTION	DATE	DWN	APVD
-		SEE SHEET 1	-	-	-


NOTE:
SEE SHEET 1

注释:
见页 1

TYPE-2, T2030242201-002, STAINLESS STEEL SCREW, NO LOGO
类型-2, T2030242201-002, 不锈钢螺丝, 无LOGO

T2030242201-002	HDD-024-F	HDD-024 FEMALE INSERT, CRIMPING SPLIT TYPE, STAINLESS STEEL SCREW, NO LOGO HDD-024 母插, 冷压针分体式, 不锈钢螺丝, 无LOGO	TYPE-2 类型-2
T2030242201-000	HDD-024-F	HDD-024 FEMALE INSERT, CRIMPING SPLIT TYPE HDD-024 母插, 冷压针分体式	TYPE-1 类型-1
PART NUMBER 料号	PART DESCRIPTION 描述		TYPE 类型

ALL DIMENSIONS ARE SAME AS TYPE 1,
EXCEPT THOSE DEFINED IN THIS TYPE.
除了在本类型中定义的尺寸外, 其它尺寸同类型 1

THIS DRAWING IS A CONTROLLED DOCUMENT.		DWN DAVID LI 16MAR2015	 TE Connectivity	
DIMENSIONS: mm		CHK CHRIS WANG 16MAR2015		
TOLERANCES UNLESS OTHERWISE SPECIFIED:		APVD XU XIANG 16MAR2015	NAME HDD-024-F	
0 PLC ±-		PRODUCT SPEC 108-137043	SIZE A3	
1 PLC ±-		APPLICATION SPEC 114-137043	CAGE CODE -	
2 PLC ±-		WEIGHT -	DRAWING NO T2030242201000	
3 PLC ±-		CUSTOMER DRAWING	RESTRICTED TO -	
4 PLC ±-		SCALE 1:1	SHEET 2 OF 2	
ANGLES ±-		FINISH -	REV B1	
MATERIAL -				

1470-19 (3/13)

X-ON Electronics

Largest Supplier of Electrical and Electronic Components

Click to view similar products for [Headers & Wire Housings](#) category:

Click to view products by [TE Connectivity](#) manufacturer:

Other Similar products are found below :

[95000-104TRLF](#) [10135584-644402LF](#) [DF62W-EP2022PCA](#) [95000-106TRLF](#) [DF62W-2022SCA](#) [48050-002LF](#) [DF62W-EP2022PC](#) [2203348](#)
[DF62W-2022SC](#) [1084018](#) [1029039](#) [1084017](#) [802-10-012-10-002000](#) [1112640](#) [1112639](#) [891-007-9SS-BST1T](#) [000-34000](#) [0008550134](#)
[0009482033](#) [0009507031](#) [0009524054](#) [57102-F02-18ULF](#) [57102-S06-03LF](#) [57202-S52-04LF](#) [PCN6-15S-2.5E](#) [0039019024](#) [58102-G61-](#)
[06LF](#) [582553-1](#) [0009485154](#) [0009508121](#) [0022285053](#) [0050291907](#) [018731A](#) [LY20-4P-DT1-P1E-BR](#) [02.125.8002.8](#) [60101931](#) [60598-1](#)
[\(Cut Strip\)](#) [M1625-3R/100](#) [61062-3](#) [61082-181009](#) [632209-000](#) [636-1427](#) [638009-1](#) [641938-9](#) [641991-4](#) [644168-1](#) [644827-2](#) [647662-1](#)
[65039-019ELF](#) [65692-001LF](#)