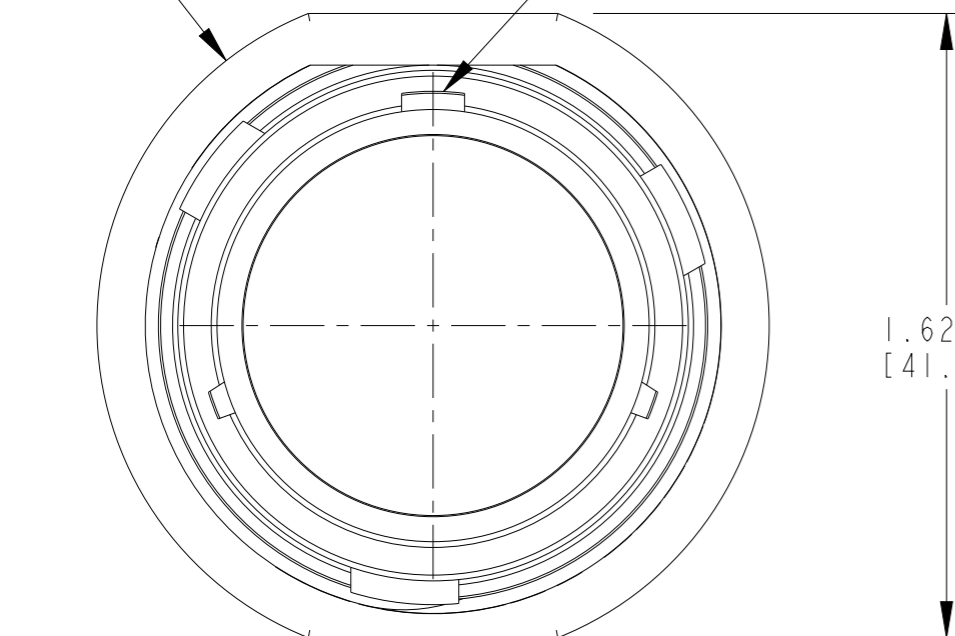


P	LTR	DESCRIPTION	DATE	DWN	APVD
B		REVISED PER E.O. P17591	17SEP2002	-	RDR
C		REVISED PER E.O. P18449	04FEB2004	-	RDR
C1		REVISED PER PCN E-20-013840	18SEP2020	MK	IG
C2		REVISED PER ECR-22-127978	02FEB2022	HD	IG

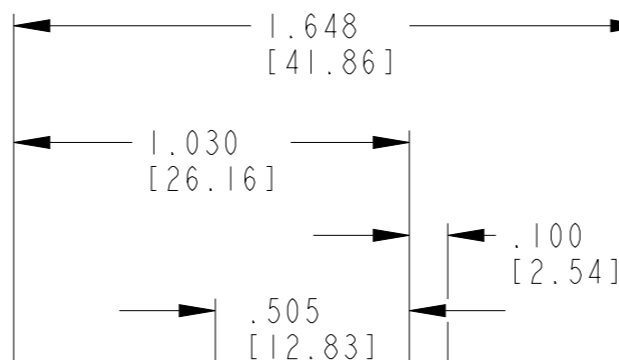
$\varnothing 1.750 \pm .025$
[44.45 ± .63]

MAIN POLARIZING KEYWAY



1.625
[41.28]

$\varnothing 1.329$
[33.76]



1.648
[41.86]

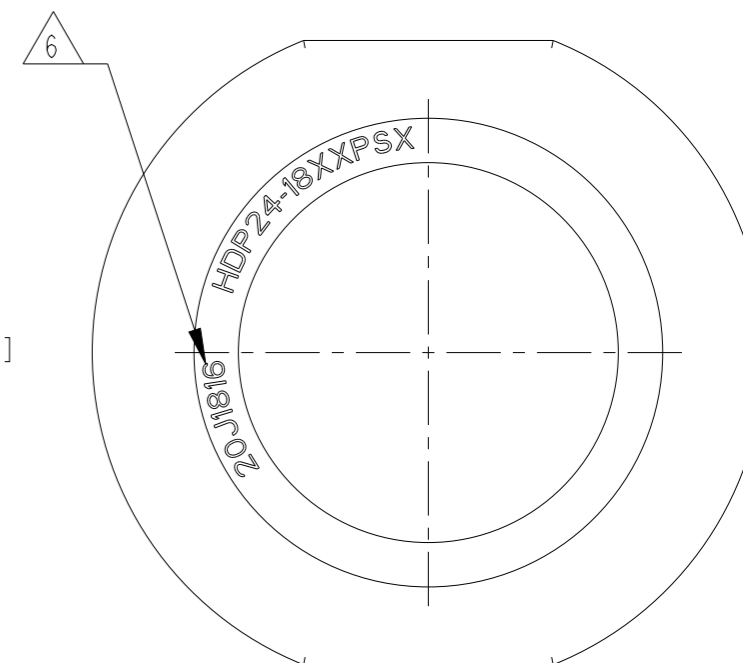
1.030
[26.16]

.505
[12.83]

.100
[2.54]

1.500 - 18 UNEF
REF. THREAD

1.220
[30.99]



HDP24-18XXPSX
181816
201816

6 DATE CODE: IDENTIFIES THE YEAR, MONTH, DAY AND HOUR OF ASSEMBLY.
YEAR: FIRST AND SECOND DIGITS. (14=2014)
MONTH: THIRD DIGIT, EXCLUDING I.A=JAN., B=FEB., C=MARCH... (K=OCT.)
DAY: FOURTH AND FIFTH DIGIT (14=14th DAY)
HOUR: SIXTH AND SEVENTH DIGIT (11=11AM)

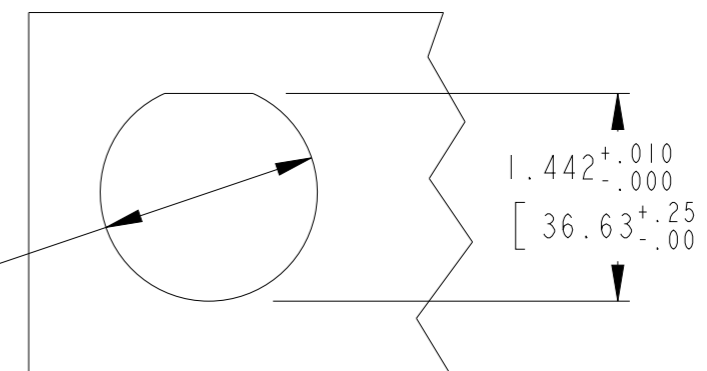
5. THIS PART MATES WITH HDP26-18-***S/P*-***** (**** = ALL MODIFICATIONS, * = TYPE OF SEAL.)

4. FOR ARRANGEMENT OF CONTACT LOCATION SEE ENVELOPE DRAWING 0425-013-1800.

3. FOR CONTACTS, WIRES, CONNECTOR PERFORMANCE AND APPLICATION CHARACTERISTICS SEE ENVELOPE DRAWING 0425-015-0000 AND 0425-021-0000.

2. RECOMMENDED PANEL THICKNESS: .062[1.58] TO .187[4.76].


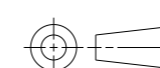
1. THIS RECEPTACLE TO BE USED WITH 2411-002-1805 (PLASTIC) PANEL NUT AND 2414-002-1886 LOCK WASHER. (C2)



1.442^{+.010}_{-.000}
[36.63^{+.25}_{-.00}]

$\varnothing 1.507 \pm .005$
[38.28 ± .12]

RECOMMENDED MOUNTING HOLE

THIS DRAWING IS A CONTROLLED DOCUMENT.		DWN S. BEARD	12JAN2000	 TE Connectivity	
		CHK J. LIM	04FEB2004		
DIMENSIONS: INCH [MM]		APVD S. BEARD	16JAN2004	NAME RECEPTACLE CONNECTOR SHELL SIZE 18 BAYONET COUPLING HDP20 SERIES	
		PRODUCT SPEC 108-151015		SIZE A3	
		APPLICATION SPEC 114-151015		CAGE CODE 00779	
MATERIAL -		WEIGHT 20.4 g		DRAWING NO C-HDP24-18-XXPSX	
FINISH -		CUSTOMER DRAWING		SCALE 2.000	SHEET 1 OF 1
				RESTRICTED TO -	
				REV C2	

X-ON Electronics

Largest Supplier of Electrical and Electronic Components

Click to view similar products for [Automotive Connectors](#) category:

Click to view products by [TE Connectivity](#) manufacturer:

Other Similar products are found below :

[003-018-000](#) [60403001](#) [60993906-B](#) [M902-2131](#) [M902-2161](#) [72.330.1035.1](#) [73.353.4028.0](#) [F119300-B](#) [F166900](#) [F258300-B](#) [F358300-B](#)
[F407400](#) [F444110](#) [F487000](#) [F509500B-B](#) [827153-1](#) [8N1515-32-24P](#) [9-1326729-8](#) [925474-1](#) [928905-1](#) [964562-4](#) [968782-1](#) [GT17SA-8DS-](#)
[HU](#) [98891-1012](#) [98947-1016](#) [12004147](#) [12004475-L](#) [12010290](#) [12010309-B](#) [12015454](#) [12020219-B](#) [12020308](#) [12041318-B](#) [12052225-L](#)
[12052466](#) [12059125](#) [12064869](#) [12004327-B](#) [12010503-B](#) [12015308](#) [12015384](#) [12015909](#) [1-21030-1](#) [12041254](#) [12041318](#) [12047946-B](#)
[12047957](#) [12047957-L](#) [12059473](#) [12066261](#)