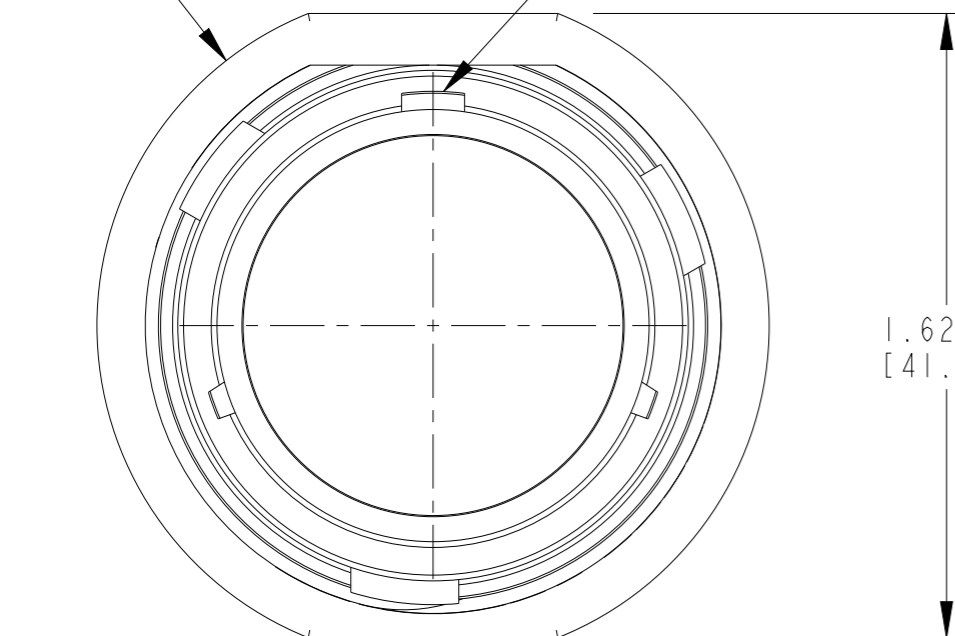


P	LTR	DESCRIPTION	DATE	DWN	APVD
B		REVISED PER E.O. P17591	17SEP2002	-	RDR
C		REVISED PER E.O. P18449	04FEB2004	-	RDR
C1		REVISED PER PCN E-20-013840	18SEP2020	MK	IG
C2		REVISED PER ECR-22-127978	02FEB2022	HD	IG

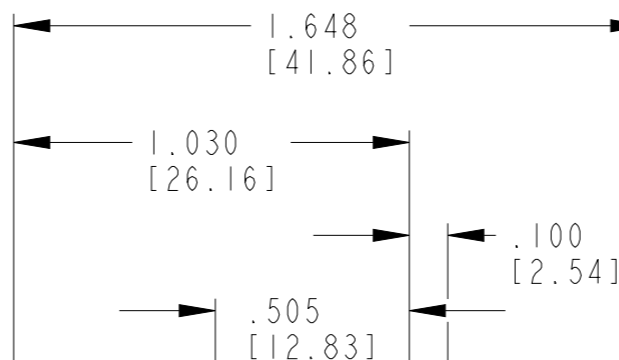
Ø 1.750 ± .025  
[44.45 ± .63]

MAIN POLARIZING KEYWAY



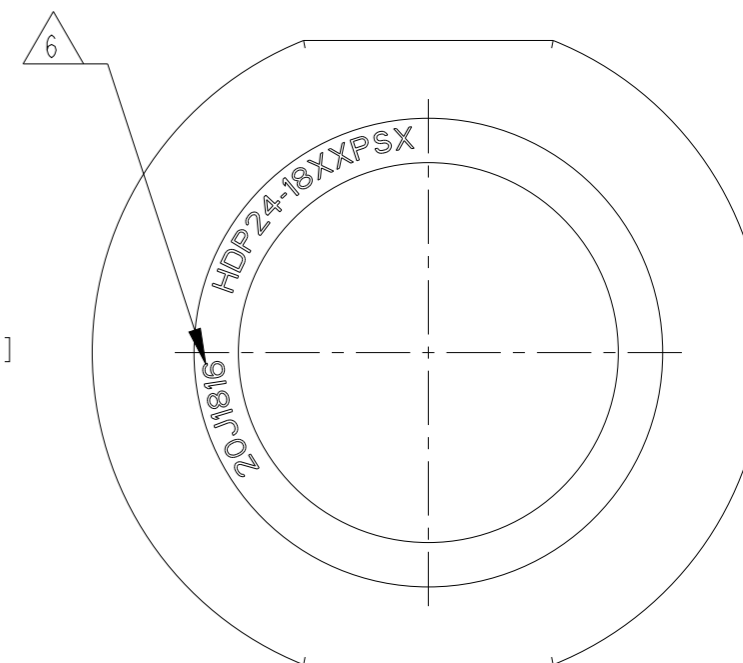
1.625  
[41.28]

Ø 1.329  
[33.76]



1.500 - 18 UNEF  
REF. THREAD

1.220  
[30.99]

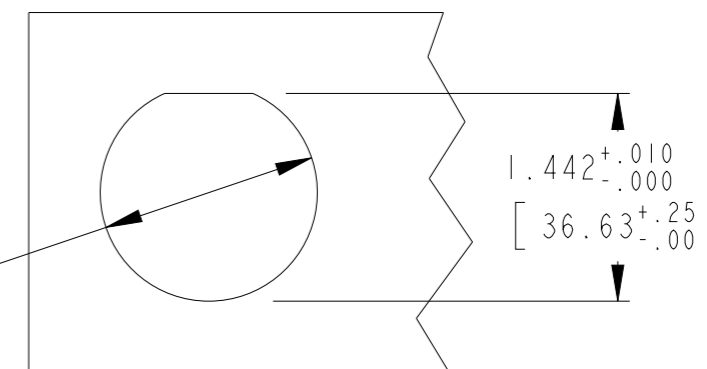


HDP24-18XXPSX  
181816  
201816

6 DATE CODE: IDENTIFIES THE YEAR, MONTH, DAY AND HOUR OF ASSEMBLY.  
YEAR: FIRST AND SECOND DIGITS. (14=2014)  
MONTH: THIRD DIGIT, EXCLUDING I.A=JAN., B=FEB., C=MARCH... (K=OCT.)  
DAY: FOURTH AND FIFTH DIGIT (14=14th DAY)  
HOUR: SIXTH AND SEVENTH DIGIT (11=11AM)


- THIS PART MATES WITH HDP26-18-\*\*\*S/P\*-\*\*\*\*\* (\*\*\*\* = ALL MODIFICATIONS, \* = TYPE OF SEAL.)
- FOR ARRANGEMENT OF CONTACT LOCATION SEE ENVELOPE DRAWING 0425-013-1800.
- FOR CONTACTS, WIRES, CONNECTOR PERFORMANCE AND APPLICATION CHARACTERISTICS SEE ENVELOPE DRAWING 0425-015-0000 AND 0425-021-0000.
- RECOMMENDED PANEL THICKNESS: .062[1.58] TO .187[4.76].
- THIS RECEPTACLE TO BE USED WITH 2411-002-1805 (PLASTIC) PANEL NUT AND 2414-002-1886 LOCK WASHER. (C2)

Ø 1.507 ± .005  
[38.28 ± .12]



1.442<sup>+.010</sup><sub>-.000</sub>  
[36.63<sup>+.25</sup><sub>-.00</sub>]

RECOMMENDED MOUNTING HOLE

THIS DRAWING IS A CONTROLLED DOCUMENT.		DWN S. BEARD	12JAN2000	 TE Connectivity	
DIMENSIONS: INCH [MM]		CHK J. LIM	04FEB2004		
TOLERANCES UNLESS OTHERWISE SPECIFIED:		APVD S. BEARD	16JAN2004	NAME RECEPTACLE CONNECTOR SHELL SIZE 18 BAYONET COUPLING HDP20 SERIES	
0 PLC ±- 1 PLC ±- 2 PLC ±- 3 PLC ±.025 4 PLC ±- ANGLES ±-		PRODUCT SPEC 108-151015	APPLICATION SPEC 114-151015	SIZE A3	CAGE CODE 00779
MATERIAL -		FINISH -	WEIGHT 20.4 g	DRAWING NO C-HDP24-18-XXPSX	
		CUSTOMER DRAWING		SCALE 2.000	SHEET 1 OF 1
				RESTRICTED TO -	
				REV C2	

## X-ON Electronics

Largest Supplier of Electrical and Electronic Components

*Click to view similar products for [Automotive Connectors](#) category:*

*Click to view products by [TE Connectivity](#) manufacturer:*

Other Similar products are found below :

[003-018-000](#) [60403001](#) [60993906-B](#) [M902-2131](#) [M902-2161](#) [M902-2344](#) [72.330.1035.1](#) [73.353.4028.0](#) [F119300-B](#) [F166900](#) [F258300-B](#)  
[F358300-B](#) [F407400](#) [F444110](#) [F487000](#) [F509500B-B](#) [827153-1](#) [8N1515-32-24P](#) [9-1326729-8](#) [925474-1](#) [928905-1](#) [964562-4](#) [968782-1](#)  
[GT17SA-8DS-HU](#) [98891-1012](#) [98947-1016](#) [12004147](#) [12004475-L](#) [12010290](#) [12010309-B](#) [12015454](#) [12020219-B](#) [12041318-B](#) [12052225-](#)  
[L](#) [12052466](#) [12064869](#) [12004327-B](#) [12015308](#) [12015384](#) [12015909](#) [1-21030-1](#) [12041254](#) [12041318](#) [12047946-B](#) [12047957](#) [12047957-L](#)  
[12059473](#) [12066261](#) [12110546](#) [12110546-B](#)