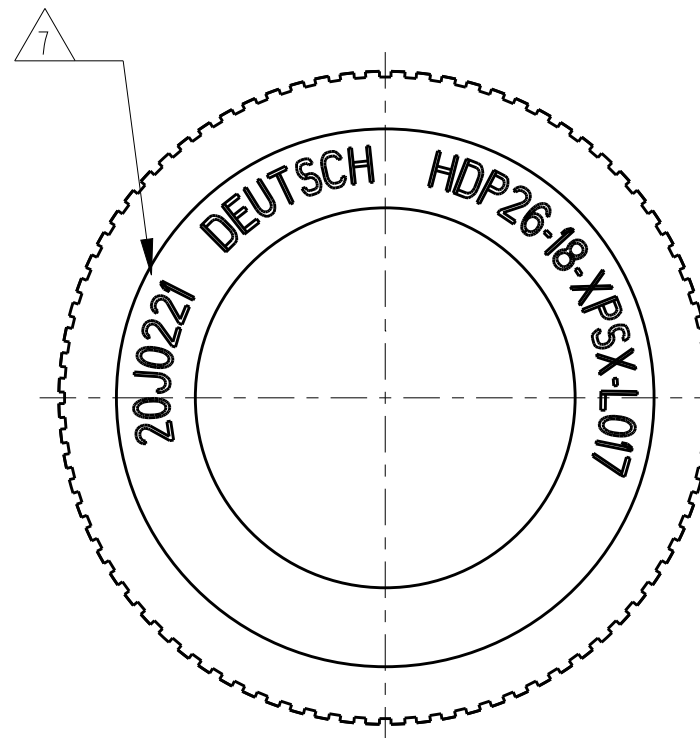
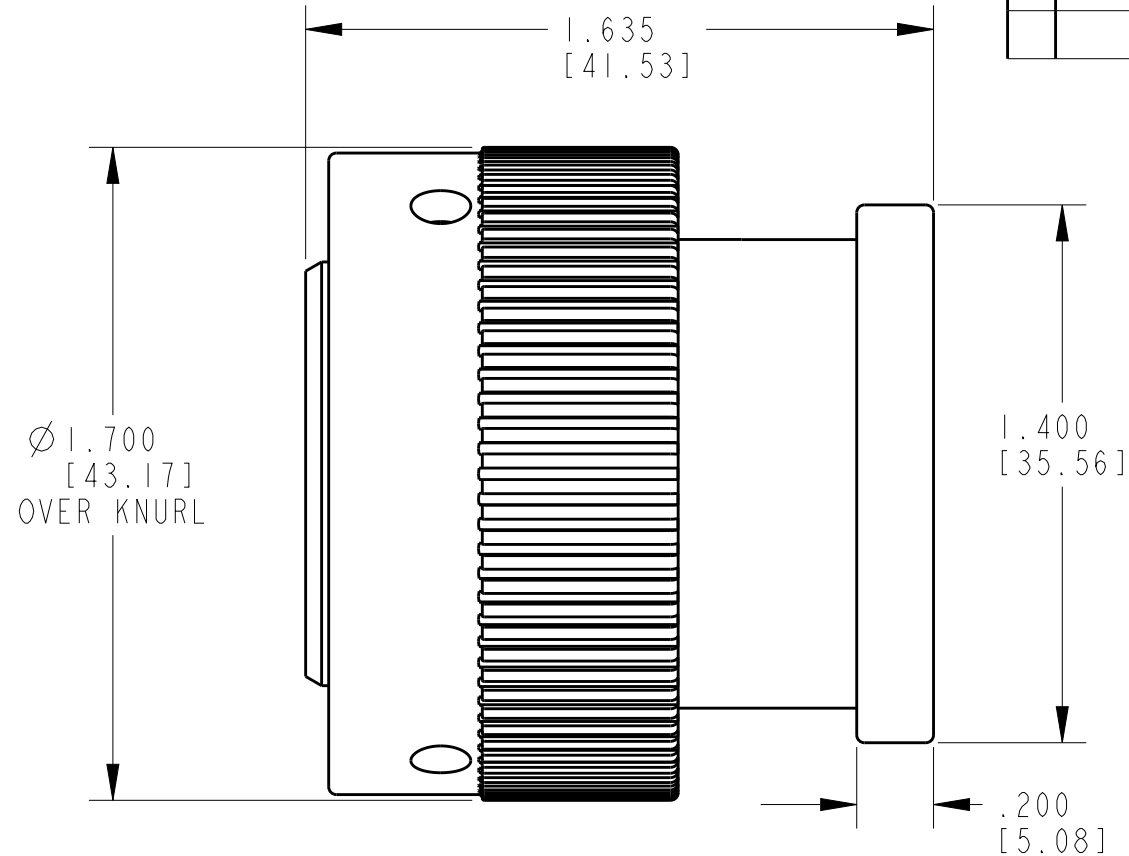
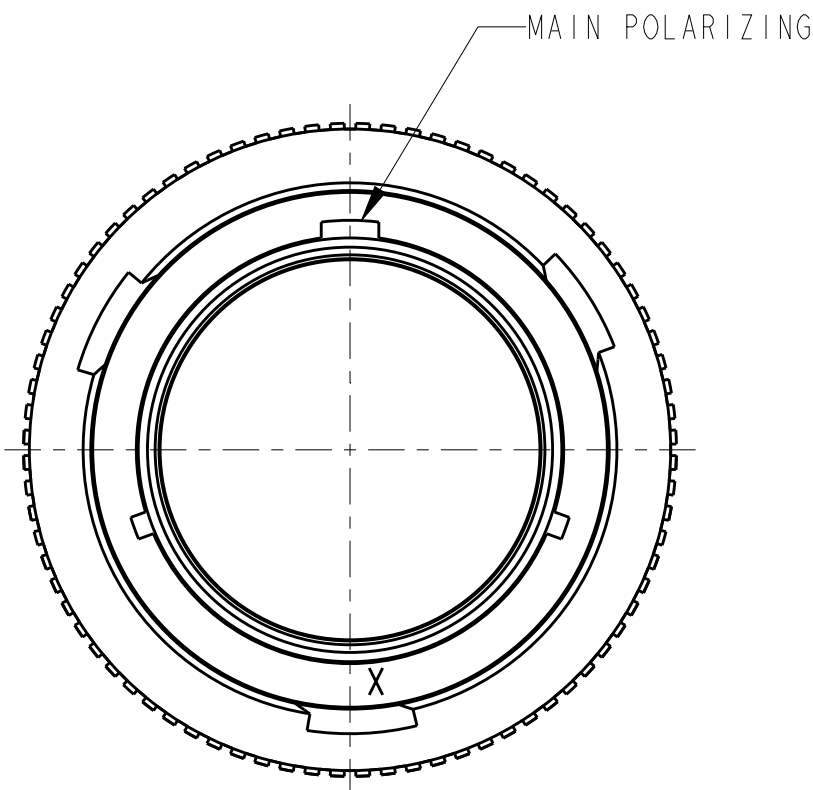


P	LTR	DESCRIPTION	DATE	DWN	APVD
	NC	NEW RELEASE PER E.O. P18277	03SEP2003	-	RDR
	A	REVISED PER PCN E-20-013840	18SEP2020	MK	IG



7. DATE CODE: IDENTIFIES THE YEAR, MONTH, DAY AND HOUR OF ASSEMBLY.
 YEAR: FIRST AND SECOND DIGITS. (14=2014)
 MONTH: THIRD DIGIT, EXCLUDING I.A=JAN., B=FEB., C=MARCH... (K=OCT.)
 DAY: FOURTH AND FIFTH DIGIT (14=14th DAY)
 HOUR: SIXTH AND SEVENTH DIGIT (11=11AM)

- 6. FOR PERFORMANCE AND APPLICATION CHARACTERISTICS SEE ENVELOPE DRAWING 0425-021-0000.
- 5. THIS PLUG MATES WITH HDP24-18-**P/S*-**** (**** = ALL MODIFICATIONS)
- 4. FOR CONTACTS AND WIRE PERFORMANCE AND APPLICATION CHARACTERISTICS SEE ENVELOPE DWG. 0425-015-0000.
- 3. RECOMMENDED PANEL THICKNESS: .062[1.57] TO .1875[4.76] MAX.
- 2. BACK SHELL ADAPTER COLOR REFLECTS WIRE SEAL DIAMETER. (GREEN = 'N' SEAL; GREY = 'T' SEAL; BLUE = 'E' SEAL).
- 1. FOR CONTACTS ARRANGEMENTS, SEE ENVELOPE DRAWING 0425-013-1800.

THIS DRAWING IS A CONTROLLED DOCUMENT.		DWN X. SANCHEZ 13AUG2003																
DIMENSIONS: INCH [MM]		CHK J. APOSTOL 02SEP2003																
TOLERANCES UNLESS OTHERWISE SPECIFIED:		APVD S. BEARD 18AUG2003	NAME PLUG CONNECTOR BAYONET COUPLING HDP SERIES -L017 MOD															
<table border="1"> <tr><td>0 PLC</td><td>±-</td></tr> <tr><td>1 PLC</td><td>±-</td></tr> <tr><td>2 PLC</td><td>±-</td></tr> <tr><td>3 PLC</td><td>±.025</td></tr> <tr><td>4 PLC</td><td>±-</td></tr> <tr><td>ANGLES</td><td>±-</td></tr> </table>		0 PLC	±-	1 PLC	±-	2 PLC	±-	3 PLC	±.025	4 PLC	±-	ANGLES	±-	PRODUCT SPEC 108-151015	SIZE A3	CAGE CODE 00779	DRAWING NO HDP26-18-XPSX-L017	RESTRICTED TO -
0 PLC	±-																	
1 PLC	±-																	
2 PLC	±-																	
3 PLC	±.025																	
4 PLC	±-																	
ANGLES	±-																	
MATERIAL -		FINISH -	APPLICATION SPEC 114-151015	WEIGHT 27.1 g	SCALE 2.000	SHEET 1 OF 1	REV A											
-		CUSTOMER DRAWING																

X-ON Electronics

Largest Supplier of Electrical and Electronic Components

Click to view similar products for [Automotive Connectors](#) category:

Click to view products by [TE Connectivity](#) manufacturer:

Other Similar products are found below :

[003-018-000](#) [60403001](#) [60993906-B](#) [M902-2131](#) [M902-2161](#) [72.330.1035.1](#) [73.353.4028.0](#) [F119300-B](#) [F166900](#) [F258300-B](#) [F358300-B](#)
[F407400](#) [F444110](#) [F487000](#) [F509500B-B](#) [827153-1](#) [8N1515-32-24P](#) [9-1326729-8](#) [925474-1](#) [928905-1](#) [964562-4](#) [968782-1](#) [GT17SA-8DS-](#)
[HU](#) [98891-1012](#) [98947-1016](#) [12004147](#) [12004475-L](#) [12010290](#) [12010309-B](#) [12015454](#) [12020219-B](#) [12020308](#) [12041318-B](#) [12052225-L](#)
[12052466](#) [12059125](#) [12064869](#) [12004327-B](#) [12010503-B](#) [12015308](#) [12015384](#) [12015909](#) [1-21030-1](#) [12041254](#) [12041318](#) [12047946-B](#)
[12047957](#) [12047957-L](#) [12059473](#) [12066261](#)