

| P | LTR | DESCRIPTION | DATE | DWN | APVD |
|----|-----|-----------------------------|-----------|-----|------|
| NC | | NEW RELEASE PER E.O. P15416 | 05SEP1997 | SB | RDR |
| A | | REVISED PER E.O. P15904 | 12FEB1999 | RO | RDR |
| B | | REVISED PER E.O. P17090 | 22JAN2001 | AR | RDR |
| C | | REVISED PER ECO-14-019072 | 23FEB2015 | JA | DM |



6. PART MODIFICATION: THREADED ADAPTER

5. CONDUIT ADAPTER ACCEPTS EITHER TYPES:
 A. CONDUIT ADAPTER CAP NUT (CN21) AND SEAL RING (SRN21)
 B. BACKSHELL (M902-2243), COMPRESSION NUT (M902-2053), CABLE Ø .430-.570 [10.92-14.78]
 C. BACKSHELL (M902-2244), COMPRESSION NUT (M902-2054), CABLE Ø .570-710 [14.78-18.03]

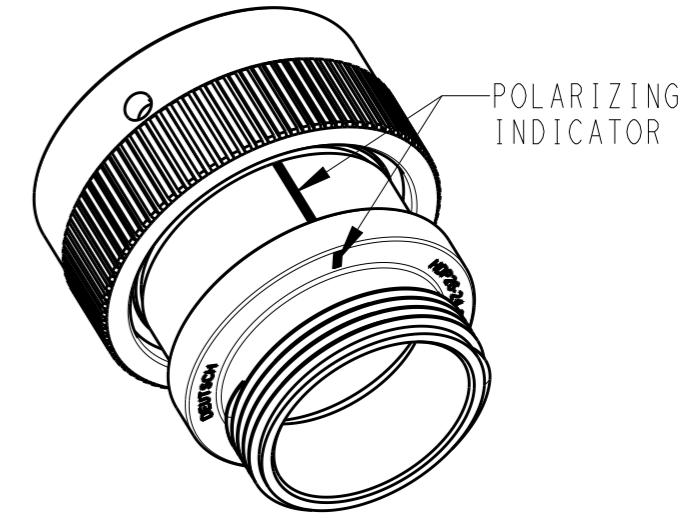
4. MATERIAL: PLUG HOUSING/COUPLING RING: PA66 GF10 (BLACK)
 CONDUIT ADAPTER: PA66 GF10 (GREEN, GRAY, BLUE)
 GROMMET: SILICONE (ORANGE-RED)

3. SEE 0425-021-0000 APPLICATION SPECIFICATION
 A. RECOMMENDED WIRE INSULATION RANGE
 B. CONTACT REMOVAL TOOLS

2. THIS PLUG MATES WITH HDP24-24XXP/SX-XXXX RECEPTACLE
 X = SEAL TYPE (N,T,E)
 XX = INSERT ARRANGEMENT
 XXXX = MODIFICATION

1. SEE CUSTOMER DRAWING 0425-014-2400 FOR AVAILABLE INSERT ARRANGEMENTS AND PART NUMBERS.

NOTES:



| | | | | |
|---|--|---------------------------------|---|------------------------------------|
| THIS DRAWING IS A CONTROLLED DOCUMENT. | | DWN 19 JAN 1999 STEVE BEARD | TE Connectivity | |
| DIMENSIONS: INCHES [mm] | | CHK 15 JAN 2001 STEVE BEARD | | |
| TOLERANCES UNLESS OTHERWISE SPECIFIED: | | APVD 15 JAN 2001 STEVE BEARD | NAME PLUG, COUPLING RING SIZE 24, -L015 MOD HDP SERIES | |
| 0 PLC ± 1 PLC ± 2 PLC ± 3 PLC ±.015 [0.38] 4 PLC ± ANGLES ±0°30'0" | | PRODUCT SPEC 0425-021-0000 | SIZE A3 | |
| MATERIAL 4 | | APPLICATION SPEC 3 | CAGE CODE 4AFU8 | DRAWING NO HDP26-24-XXP/SX-L015 |
| FINISH N/A | | WEIGHT | RESTRICTED TO | |
| | | Customer Drawing | SCALE 2:1 | SHEET 1 OF 1 REV C |

X-ON Electronics

Largest Supplier of Electrical and Electronic Components

Click to view similar products for [Automotive Connectors](#) category:

Click to view products by [TE Connectivity](#) manufacturer:

Other Similar products are found below :

[003-018-000](#) [60403001](#) [60993906-B](#) [M902-2131](#) [M902-2161](#) [M902-2344](#) [72.330.1035.1](#) [73.353.4028.0](#) [F119300-B](#) [F166900](#) [F258300-B](#)
[F358300-B](#) [F407400](#) [F444110](#) [F487000](#) [F509500B-B](#) [827153-1](#) [8N1515-32-24P](#) [9-1326729-8](#) [925474-1](#) [928905-1](#) [964562-4](#) [968782-1](#)
[GT17SA-8DS-HU](#) [98891-1012](#) [98947-1016](#) [12004147](#) [12004475-L](#) [12010290](#) [12010309-B](#) [12015454](#) [12020219-B](#) [12041318-B](#) [12052225-](#)
[L](#) [12052466](#) [12064869](#) [12004327-B](#) [12015308](#) [12015384](#) [12015909](#) [1-21030-1](#) [12041254](#) [12041318](#) [12047946-B](#) [12047957](#) [12047957-L](#)
[12059473](#) [12066261](#) [12110546](#) [12110546-B](#)