

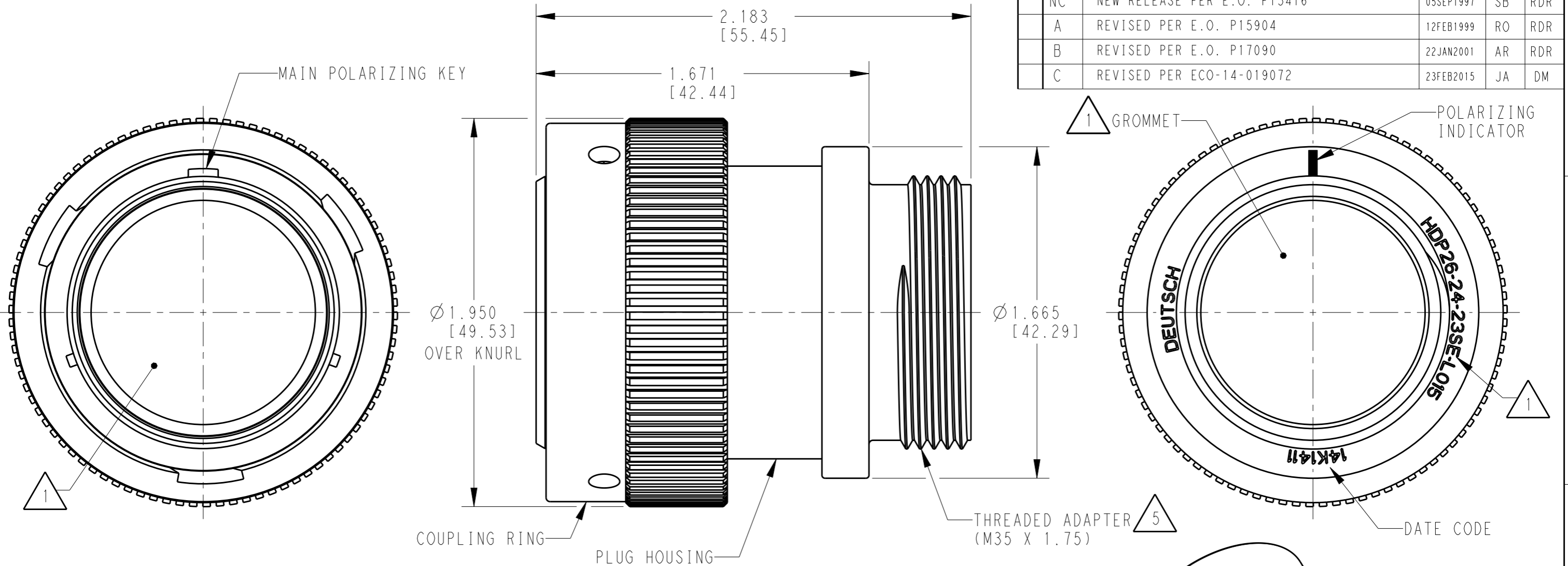
THIS DRAWING IS UNPUBLISHED  
© COPYRIGHT 1999 BY TE CONNECTIVITY ALL RIGHTS RESERVED.

RELEASED FOR PUBLICATION 2015

LOC DIST

REVISIONS

P	LTR	DESCRIPTION	DATE	DWN	APVD
NC		NEW RELEASE PER E.O. P15416	05SEP1997	SB	RDR
A		REVISED PER E.O. P15904	12FEB1999	RO	RDR
B		REVISED PER E.O. P17090	22JAN2001	AR	RDR
C		REVISED PER ECO-14-019072	23FEB2015	JA	DM



6. PART MODIFICATION: THREADED ADAPTER

5 CONDUIT ADAPTER ACCEPTS EITHER TYPES:  
 A. CONDUIT ADAPTER CAP NUT (CN21) AND SEAL RING (SRN21)  
 B. BACKSHELL (M902-2243), COMPRESSION NUT (M902-2053), CABLE  $\phi .430-.570$  [10.92-14.78]  
 C. BACKSHELL (M902-2244), COMPRESSION NUT (M902-2054), CABLE  $\phi .570-710$  [14.78-18.03]

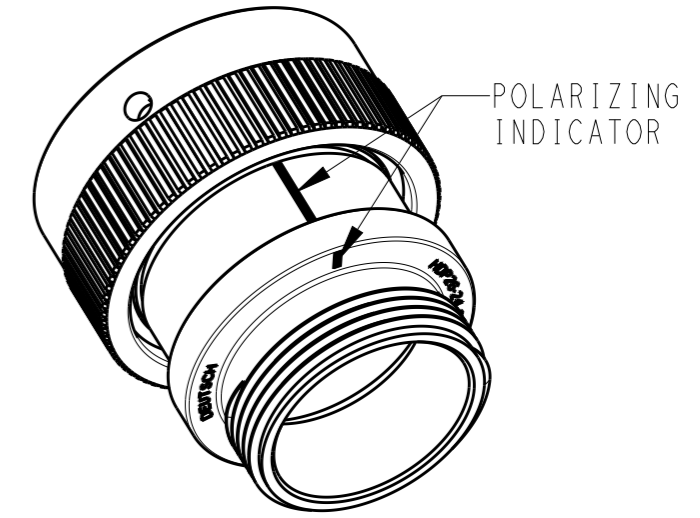
4 MATERIAL: PLUG HOUSING/COUPLING RING: PA66 GF10 (BLACK)  
 CONDUIT ADAPTER: PA66 GF10 (GREEN, GRAY, BLUE)  
 GROMMET: SILICONE (ORANGE-RED)

3 SEE 0425-021-0000 APPLICATION SPECIFICATION  
 A. RECOMMENDED WIRE INSULATION RANGE  
 B. CONTACT REMOVAL TOOLS

2. THIS PLUG MATES WITH HDP24-24XXP/SX-XXXX RECEPTACLE  
 X = SEAL TYPE (N,T,E)  
 XX = INSERT ARRANGEMENT  
 XXXX = MODIFICATION

1 SEE CUSTOMER DRAWING 0425-014-2400 FOR AVAILABLE INSERT ARRANGEMENTS AND PART NUMBERS.

NOTES:



SCALE 1:1

THIS DRAWING IS A CONTROLLED DOCUMENT.		DWN 19JAN1999 STEVE BEARD	TE Connectivity	
DIMENSIONS: INCHES [mm]		CHK 15JAN2001 STEVE BEARD		
TOLERANCES UNLESS OTHERWISE SPECIFIED:		APVD 15JAN2001 STEVE BEARD	NAME PLUG, COUPLING RING SIZE 24, -L015 MOD HDP SERIES	
0 PLC $\pm$ 1 PLC $\pm$ 2 PLC $\pm$ 3 PLC $\pm .015$ [0.38] 4 PLC $\pm$ ANGLES $\pm 0^{\circ}30'0''$		PRODUCT SPEC 0425-021-0000	SIZE A3	
MATERIAL 4		APPLICATION SPEC 3	CAGE CODE 4AFU8	DRAWING NO HDP26-24-XXP/SX-L015
FINISH N/A		WEIGHT	RESTRICTED TO	SCALE 2:1
		Customer Drawing	SHEET 1 OF 1	REV C

## X-ON Electronics

Largest Supplier of Electrical and Electronic Components

*Click to view similar products for [Automotive Connectors](#) category:*

*Click to view products by [TE Connectivity](#) manufacturer:*

Other Similar products are found below :

[003-018-000](#) [60403001](#) [60993906-B](#) [M902-2131](#) [M902-2161](#) [M902-2344](#) [72.330.1035.1](#) [73.353.4028.0](#) [F119300-B](#) [F166900](#) [F258300-B](#)  
[F358300-B](#) [F407400](#) [F444110](#) [F487000](#) [F509500B-B](#) [827153-1](#) [8N1515-32-24P](#) [9-1326729-8](#) [925474-1](#) [928905-1](#) [964562-4](#) [968782-1](#)  
[GT17SA-8DS-HU](#) [98891-1012](#) [98947-1016](#) [12004147](#) [12004475-L](#) [12010290](#) [12010309-B](#) [12015454](#) [12020219-B](#) [12041318-B](#) [12052225-](#)  
[L](#) [12052466](#) [12064869](#) [12004327-B](#) [12015308](#) [12015384](#) [12015909](#) [1-21030-1](#) [12041254](#) [12041318](#) [12047946-B](#) [12047957](#) [12047957-L](#)  
[12059473](#) [12066261](#) [12110546](#) [12110546-B](#)