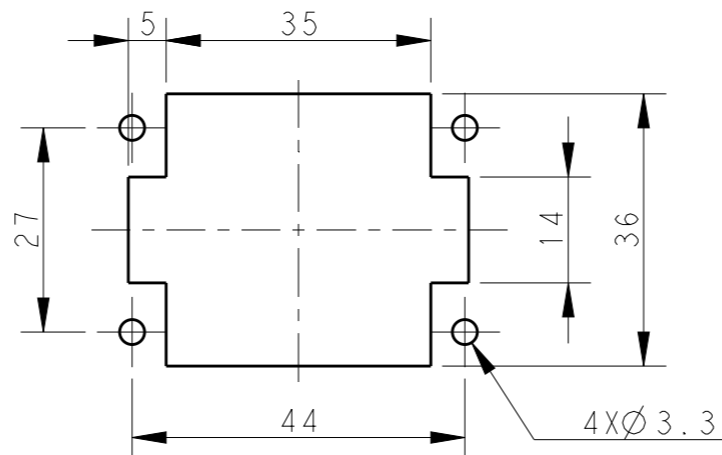
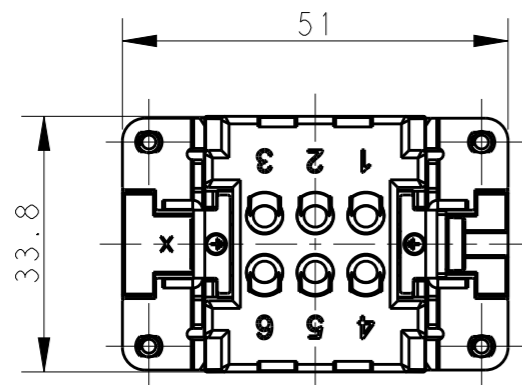


THIS DRAWING IS UNPUBLISHED. RELEASED FOR PUBLICATION 20  
 © COPYRIGHT 20 BY - ALL RIGHTS RESERVED.

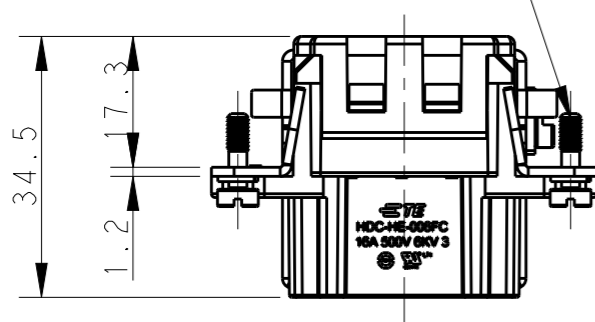
REVISIONS

P	LTR	DESCRIPTION	DATE	DWN	APVD
	A	INITIAL RELEASE	06APR2015	GY	CW
	B	ECR-15-013759	12OCT2015	DW	CW
	B1	ECR-16-015492	16NOV2016	QY	CW

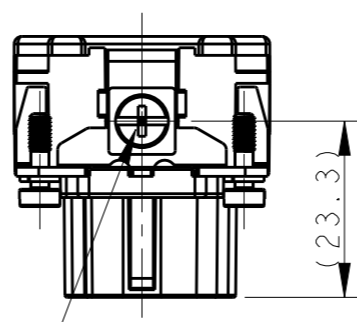


PANEL CUT FOR INSERTS FOR USING WITHOUT HOODS/ HOUSINGS  
 不使用防护外壳时芯件的安装开孔图

4X M3 SCREW, RECOMMENDED TIGHTENING TORQUE 0.5Nm  
 4X M3螺丝, 推荐锁紧力矩0.5Nm



M4 SCREW, RECOMMENDED TIGHTENING TORQUE 1.2Nm  
 M4螺丝, 推荐锁紧力矩1.2Nm

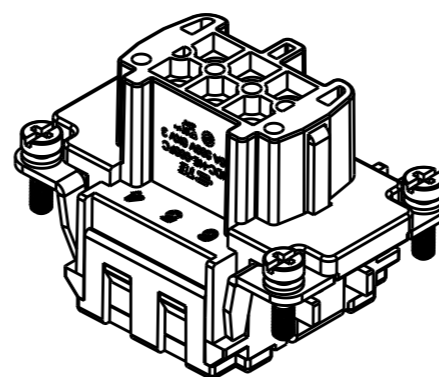
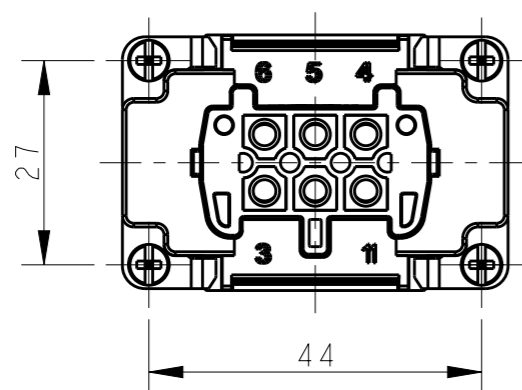


NOTES:

- TECHNICAL CHARACTERISTICS:  
 INSULATION MATERIAL: PC  
 RATED VOLTAGE: 500V  
 RATED CURRENT: 16A  
 INSULATION RESISTANCE: >=400MΩ  
 RATED IMPULSE VOLTAGE: 6KV  
 POLLUTION DEGREE: 3  
 FLAMMABILITY: UL94V-0  
 MATING CYCLES: 500 CYCLES  
 WIRE RANGE: 0.14mm<sup>2</sup>~4mm<sup>2</sup> (AWG26-AWG12)  
 CONTACT TYPE: CRIMP CONTACT
- CONTACTS NEED TO BE ORDERED SEPARATELY.  
 (ORDER No. REFER TO DRAWING: T20300X20XX000)

注释:

- 技术参数:  
 绝缘材料: PC  
 额定电压: 500V  
 额定电流: 16A  
 绝缘电阻: >=400MΩ  
 脉冲电压: 6KV  
 污染等级: 3  
 阻燃等级: UL94V-0  
 插拔次数: 500次  
 接线范围: 0.14mm<sup>2</sup>~4mm<sup>2</sup> (AWG26-AWG12)  
 接线类型: 冷压接
- 端子需要单独订购。  
 (订货号参考图面: T20300X20XX000)



TYPE-1, T2040064201-000, TE LOGO  
 类型-1, T2040064201-000, TE LOGO

THIS DRAWING IS A CONTROLLED DOCUMENT.		DWN Gino.Yao 06APR2015	TE Connectivity	
DIMENSIONS: mm		CHK Chris.Wang 06APR2015		
TOLERANCES UNLESS OTHERWISE SPECIFIED:		APVD Xiang.Xu 06APR2015	NAME HE-006-FC	
0 PLC ±-		PRODUCT SPEC 108-137044	SIZE	
1 PLC ±-		APPLICATION SPEC 114-137044	CAGE CODE	
2 PLC ±-		WEIGHT -	DRAWING NO	
3 PLC ±-		Customer Drawing	RESTRICTED TO	
4 PLC ±-			A300779	
ANGLES ±-			SCALE 1:1	
FINISH -			SHEET 1 OF 2	
MATERIAL -			REV B1	

THIS DRAWING IS UNPUBLISHED.

RELEASED FOR PUBLICATION

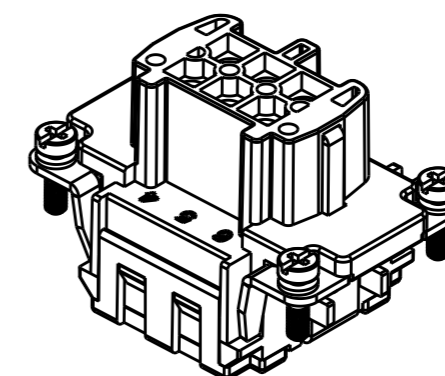
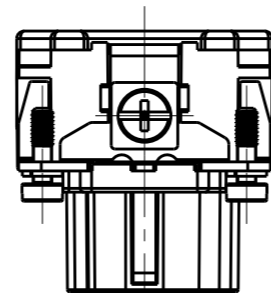
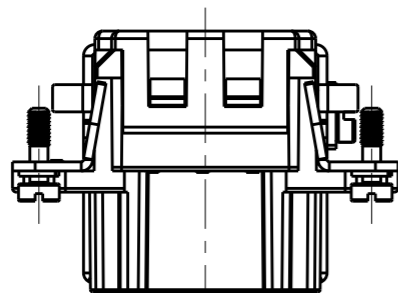
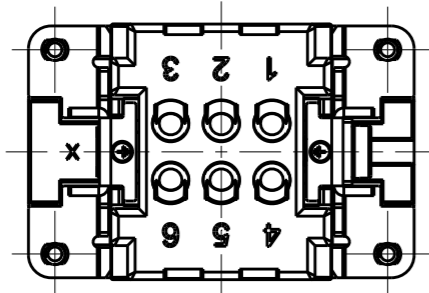
20

© COPYRIGHT 20 BY -

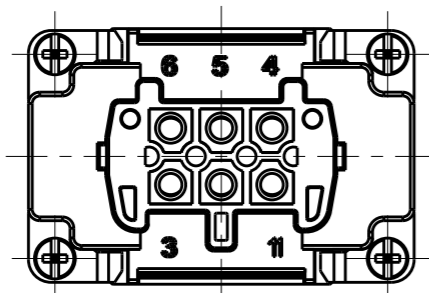
ALL RIGHTS RESERVED.

REVISIONS

P	LTR	DESCRIPTION	DATE	DWN	APVD
-		SEE SHEET 1	-	-	-



NOTE:  
SEE SHEET 1  
注释:  
见页 1



TYPE-2, T2040064201-001, STAINLESS STEEL SCREW, NO LOGO  
类型-2, T2040064201-001, 不锈钢螺丝, 无LOGO

T2040064201-001	HE-006-FC	HE-006 FEMALE INSERT, CRIMPING, STAINLESS STEEL SCREW, NO LOGO HE-006母插, 冷压针, 不锈钢螺丝, 无LOGO	TYPE-2 类型-2
T2040064201-000	HE-006-FC	HE-006 FEMALE INSERT, CRIMPING HE-006母插, 冷压针	TYPE-1 类型-1
PART NUMBER 料号	PART DESCRIPTION 描述		TYPE 类型

ALL SPEC DIMENSION REFER TO TYPE 1  
所有产品规格尺寸参照 TYPE 1

THIS DRAWING IS A CONTROLLED DOCUMENT.		DWN Gino.Yao 06APR2015		
DIMENSIONS: mm		CHK Chris.Wang 06APR2015		
TOLERANCES UNLESS OTHERWISE SPECIFIED:		APVD Xiang.Xu 06APR2015	NAME HE-006-FC	
0 PLC ±-		PRODUCT SPEC 108-137044	SIZE A3	
1 PLC ±-		APPLICATION SPEC 114-137044	CAGE CODE 00779	DRAWING NO T2040064201000
2 PLC ±-		WEIGHT -	RESTRICTED TO -	
3 PLC ±-		Customer Drawing	SCALE 1:1	
4 PLC ±-			SHEET 2 OF 2	
ANGLES ±-		REV B1		
FINISH -				

## X-ON Electronics

Largest Supplier of Electrical and Electronic Components

*Click to view similar products for [IC & Component Sockets](#) category:*

*Click to view products by [TE Connectivity](#) manufacturer:*

Other Similar products are found below :

[714-43-102-31-012000](#) [0066-3-17-15-30-14-02-0](#) [0134-0-15-15-32-27-04-0](#) [614-DG5](#) [6527-0-00-15-00-00-03-0](#) [670](#) [672](#) [673](#) [712-93-120-41-001000](#) [714-93-104-31-018000](#) [8059-4G1-LF](#) [807-22-001-10-001101](#) [807-22-001-10-003101](#) [807-22-001-10-004101](#) [807-22-001-10-006101](#) [807-22-001-30-011101](#) [807-22-001-30-012101](#) [807-22-001-30-013101](#) [807-22-001-30-014101](#) [8-1437531-4](#) [8150-6P10](#) [833-93-034-10-001000](#) [835-43-014-10-001000](#) [851-41-006-10-001000](#) [851-43-008-20-001000](#) [851-43-014-20-001000](#) [851-93-006-20-001000](#) [851-93-010-20-001000](#) [853-43-020-10-001000](#) [86.010.0053.0](#) [116-43-306-41-003000](#) [116-43-308-41-007000](#) [116-87-308-41-007101](#) [PX-68LCC](#) [PX-84LCC](#) [121-13-318-41-001000](#) [121-13-320-41-001000](#) [121-13-308-41-001000](#) [123-43-314-41-801000](#) [123-43-420-41-001000](#) [123-43-636-41-001000](#) [123-87-320-41-001101](#) [122-13-316-41-001000](#) [123-13-624-41-001000](#) [123-43-306-41-001000](#) [123-43-322-41-801000](#) [123-43-428-41-001000](#) [123-43-624-41-001000](#) [12-3513-11](#) [123-91-320-41-001000](#)