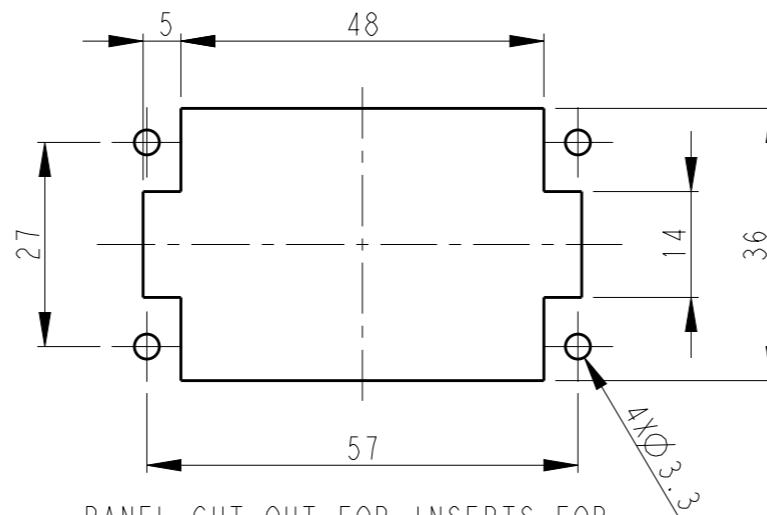
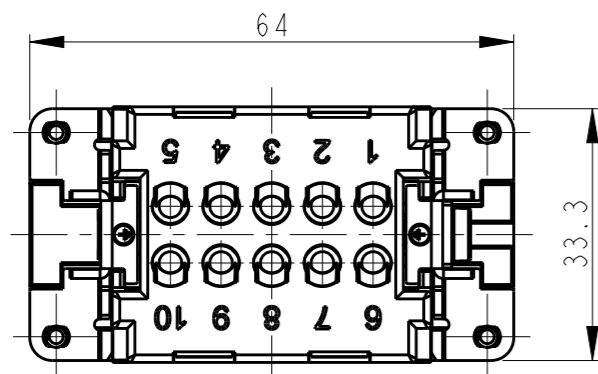


THIS DRAWING IS UNPUBLISHED. RELEASED FOR PUBLICATION 20  
 © COPYRIGHT 20 BY - ALL RIGHTS RESERVED.

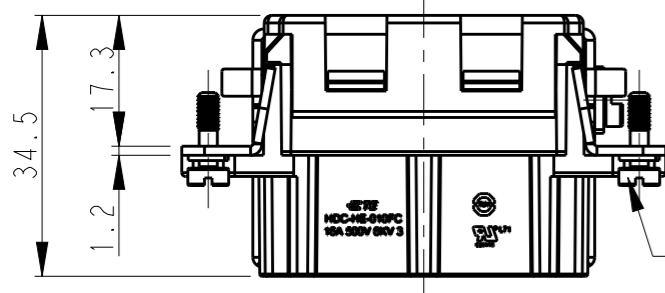
REVISIONS

P	LTR	DESCRIPTION	DATE	DWN	APVD
A		INITIAL RELEASE	13APR2015	GY	CW
B		ECR-15-013759	12OCT2015	DW	CW
B1		ECR-16-009892	13JUL2016	RL	CW
B2		ECR-16-018198	13JAN2017	QY	CW

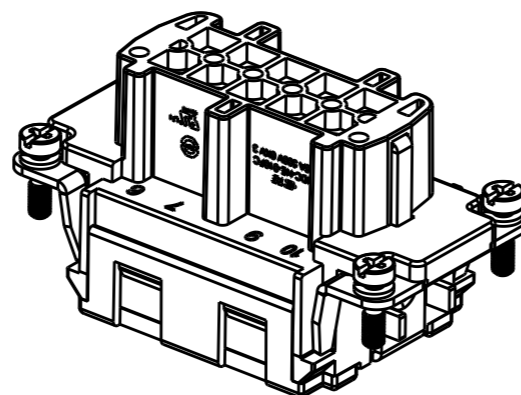
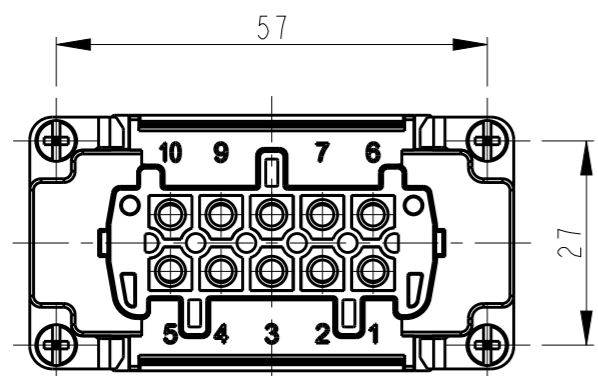
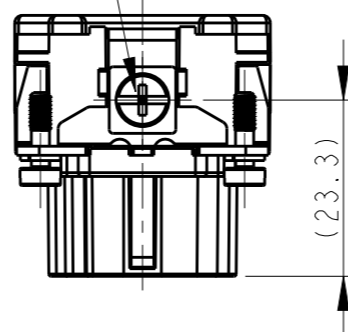


PANEL CUT OUT FOR INSERTS FOR USE WITHOUT HOODS/HOUSING  
 不使用防护外壳时零件的安装开孔图

M4 SCREW, RECOMMENDED TIGHTENING TORQUE 1.2Nm  
 M4螺丝, 推荐扭力矩为 1.2Nm



4X M3 SCREW RECOMMENDED TIGHTENING TORQUE 0.5Nm  
 4 X M3螺丝, 推荐扭力矩为 0.5Nm



NOTES:

- TECHNICAL CHARACTERISTICS:  
 INSULATION MATERIAL: PC  
 RATED VOLTAGE: 500V  
 RATED CURRENT: 16A  
 INSULATION RESISTANCE:  $\geq 400M\Omega$   
 RATED IMPULSE VOLTAGE: 6KV  
 POLLUTION DEGREE: 3  
 FLAMMABILITY: UL94V-0  
 MATING CYCLES: 500 CYCLES  
 WIRE RANGE:  $0.14mm^2 \sim 4mm^2$  (AWG26-AWG12)  
 CONTACT TYPE: CRIMP CONTACT
- CONTACTS NEED TO BE ORDERED SEPARATELY.  
 (ORDER No. REFER TO DRAWING: T20300X20XX000)

注释:

- 技术参数:  
 绝缘材料: PC  
 额定电压: 500V  
 额定电流: 16A  
 绝缘电阻:  $\geq 400M\Omega$   
 脉冲电压: 6KV  
 污染等级: 3  
 阻燃等级: UL94V-0  
 插拔次数: 500次  
 接线范围:  $0.14mm^2 \sim 4mm^2$  (AWG26-AWG12)  
 接线类型: 冷压接
- 端子需要单独订购。  
 (订货号参考图面: T20300X20XX000)

TYPE-1: T2040104201-000 TE LOGO  
 类型-1: T2040104201-000 TE LOGO

THIS DRAWING IS A CONTROLLED DOCUMENT.

DIMENSIONS:	TOLERANCES UNLESS OTHERWISE SPECIFIED:
mm	
	0 PLC $\pm$
	1 PLC $\pm$
	2 PLC $\pm$
	3 PLC $\pm$
	4 PLC $\pm$
	ANGLES $\pm$
MATERIAL	FINISH

DWN	Gino.Yao	13APR2015
CHK	Chris.Wang	13APR2015
APVD	Xiang.Xu	13APR2015
PRODUCT SPEC	108-137044	
APPLICATION SPEC	114-137044	
WEIGHT	-	



NAME		HE-010-FC	
SIZE	CAGE CODE	DRAWING NO	RESTRICTED TO
A3	00779	©-T2040104201000	-
Customer Drawing		SCALE 1:1	SHEET 1 OF 2 REV B2

THIS DRAWING IS UNPUBLISHED.

RELEASED FOR PUBLICATION

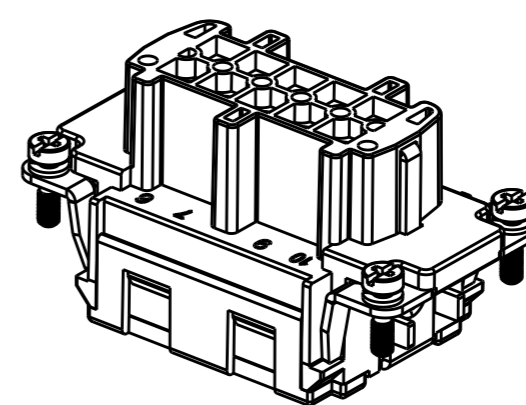
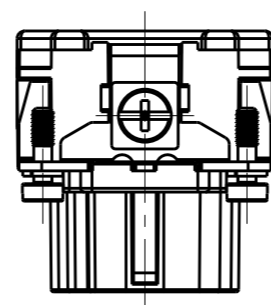
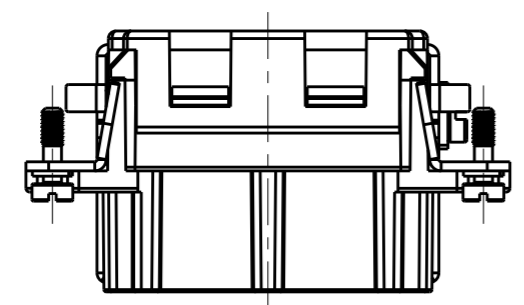
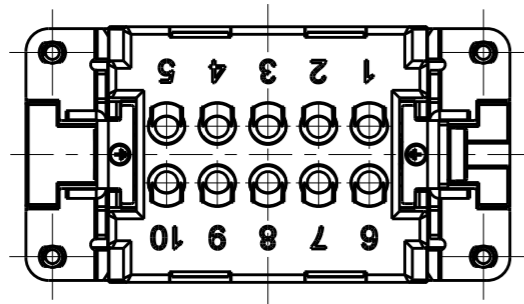
20

© COPYRIGHT 20 BY -

ALL RIGHTS RESERVED.

REVISIONS

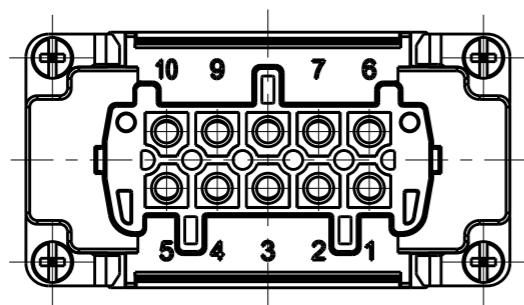
P	LTR	DESCRIPTION	DATE	DWN	APVD
-	-	SEE SHEET 1	-	-	-



NOTES:  
SEE SHEET 1  
注释:  
见页 1

TYPE-2: T2040104201-001 STAINLESS STEEL SCREW, NO LOGO  
类型-2: T2040104201-001 不锈钢螺丝, 无LOGO

ALL DIMENSIONS ARE SAME AS TYPE 1,  
EXCEPT THOSE DEFINED IN THIS TYPE.  
除了在本类型中定义的尺寸外, 其它尺寸同类型 1



T2040104201-001	HE-010-FC	HE-010 FEMALE INSERT, CRIMPING, STAINLESS STEEL SCREW, NO LOGO HE-010母插, 冷压, 不锈钢螺丝, 无LOGO	TYPE-2 类型-2
T2040104201-000	HE-010-FC	HE-010 FEMALE INSERT, CRIMPING HE-010母插, 冷压	TYPE-1 类型-1
PART NUMBER 料号	PART DESCRIPTION 描述		TYPE 类型

THIS DRAWING IS A CONTROLLED DOCUMENT.		DWN Gino.Yao 13APR2015				
DIMENSIONS: mm		CHK Chris.Wang 13APR2015				
TOLERANCES UNLESS OTHERWISE SPECIFIED:		APVD Xiang.Xu 13APR2015				
0 PLC ±- 1 PLC ±- 2 PLC ±- 3 PLC ±- 4 PLC ±- ANGLES ±-		NAME HE-010-FC				
MATERIAL -	FINISH -	PRODUCT SPEC 108-137044	SIZE A3	CAGE CODE 00779	DRAWING NO G-T2040104201000	RESTRICTED TO -
Customer Drawing		WEIGHT -	SCALE 1:1	SHEET 2	OF 2	REV B2

## X-ON Electronics

Largest Supplier of Electrical and Electronic Components

*Click to view similar products for [Headers & Wire Housings](#) category:*

*Click to view products by [TE Connectivity](#) manufacturer:*

Other Similar products are found below :

[95000-104TRLF](#) [10135584-644402LF](#) [DF62W-EP2022PCA](#) [95000-106TRLF](#) [DF62W-2022SCA](#) [48050-002LF](#) [DF62W-EP2022PC](#) [2203348](#)  
[DF62W-2022SC](#) [1084018](#) [1029039](#) [1084017](#) [802-10-012-10-002000](#) [1112640](#) [1112639](#) [891-007-9SS-BST1T](#) [000-34000](#) [0008550134](#)  
[0009482033](#) [0009507031](#) [0009524054](#) [57102-F02-18ULF](#) [57102-S06-03LF](#) [57202-S52-04LF](#) [PCN6-15S-2.5E](#) [0039019024](#) [58102-G61-](#)  
[06LF](#) [582553-1](#) [0009485154](#) [0009508121](#) [0022285053](#) [0050291907](#) [018731A](#) [LY20-4P-DT1-P1E-BR](#) [02.125.8002.8](#) [60101931](#) [60598-1](#)  
[\(Cut Strip\)](#) [M1625-3R/100](#) [61062-3](#) [61082-181009](#) [632209-000](#) [636-1427](#) [638009-1](#) [641938-9](#) [641991-4](#) [644168-1](#) [644827-2](#) [647662-1](#)  
[65039-019ELF](#) [65692-001LF](#)