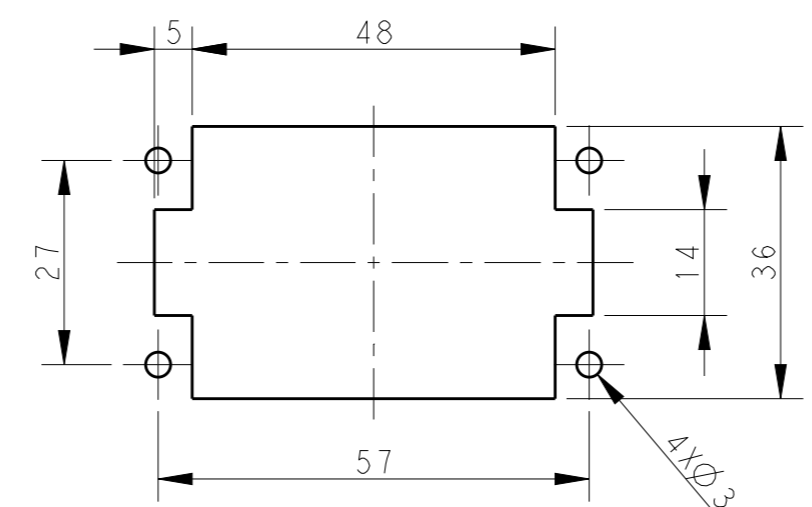
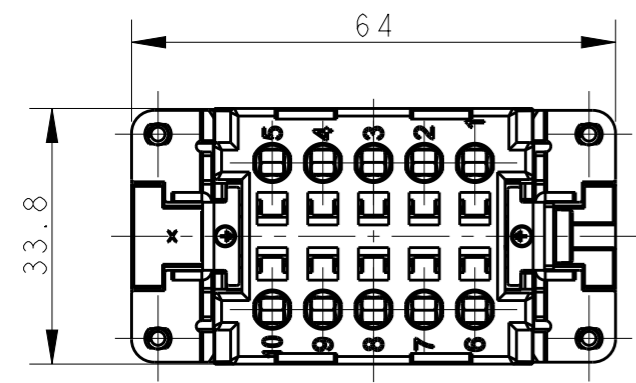


THIS DRAWING IS UNPUBLISHED. RELEASED FOR PUBLICATION 20
 © COPYRIGHT 20 BY - ALL RIGHTS RESERVED.

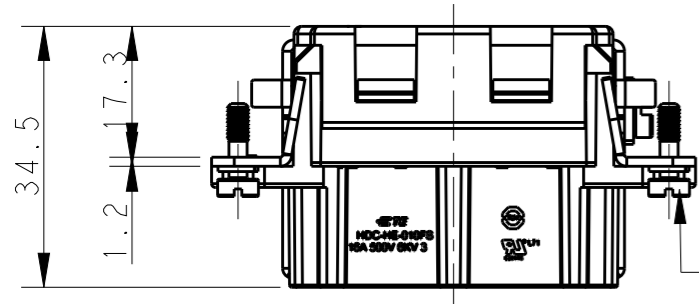
REVISIONS					
P	LTR	DESCRIPTION	DATE	DWN	APVD
A		INITIAL RELEASE	09APR2015	GY	CW
B		ECR-15-013759	29SEP2015	DW	CW
B1		ECR-16-009892	13JUL2016	RL	CW



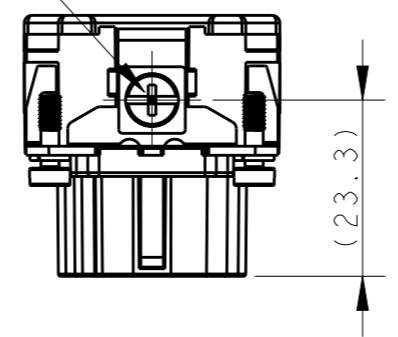
PANEL CUT OUT FOR INSERTS FOR USE WITHOUT HOODS/HOUSING
 不使用防护外壳时芯件的安装开孔图

NOTES:
 1. TECHNICAL CHARACTERISTICS:
 INSULATION MATERIAL: PC
 RATED VOLTAGE: 500V
 RATED CURRENT: 16A
 INSULATION RESISTANCE: $\geq 400M\Omega$
 RATED IMPULSE VOLTAGE: 6KV
 POLLUTION DEGREE: 3
 FLAMMABILITY: UL94V-0
 MATING CYCLES: 500 CYCLES
 WIRE RANGE: $0.5mm^2 \sim 2.5mm^2$ (AWG20-AWG14)
 CONTACT FINISH: SILVER PLATED
 CONTACT TYPE: SPRING CLAMP

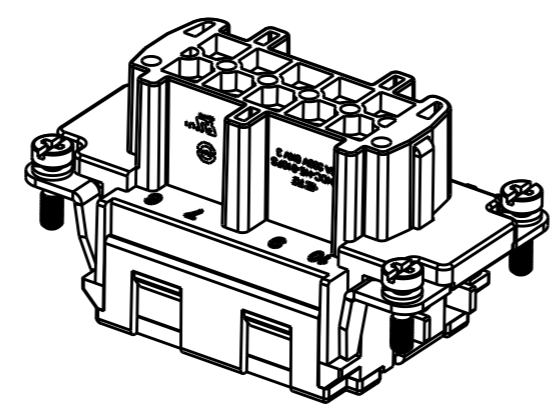
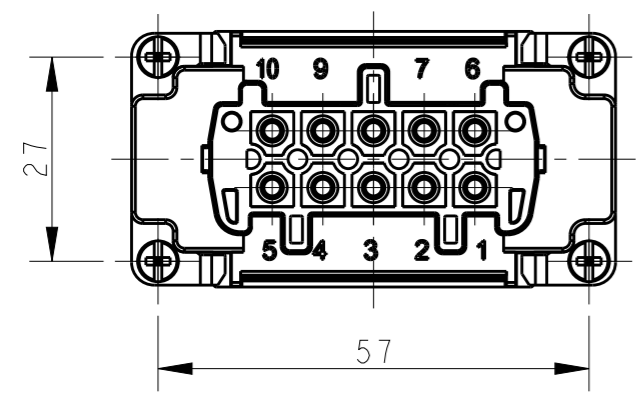
M4 SCREW, RECOMMENDED TIGHTENING TORQUE 1.2Nm
 M4螺丝, 推荐扭力矩为 1.2Nm



4X M3 SCREW RECOMMENDED TIGHTENING TORQUE 0.5Nm
 4 X M3螺丝, 推荐扭力矩为 0.5Nm



注释:
 1. 技术参数:
 绝缘材料: PC
 额定电压: 500V
 额定电流: 16A
 绝缘电阻: $\geq 400M\Omega$
 脉冲电压: 6KV
 污染等级: 3
 阻燃等级: UL94V-0
 插拔次数: 500 次
 接线范围: $0.5mm^2 \sim 2.5mm^2$ (AWG20-AWG14)
 端子表面处理: 镀银
 接线类型: 弹片压接



T2040103201-001	HE-010-FS	HE-010 FEMALE INSERT, WITH STAINLESS STEEL SCREW, SPRING CLAMP HE-010母插, 带不锈钢螺丝, 弹片	STAINLESS STEEL	STAINLESS STEEL
T2040103201-000	HE-010-FS	HE-010 FEMALE INSERT, SPRING CLAMP HE-010母插, 弹片	STEEL	STEEL
PART NUMBER 料号	PART DESCRIPTION 描述		FIXING SCREW MAT'L 压线螺丝材质	GROUND CONTACT SCREW MAT'L 接地连接螺丝材质

THIS DRAWING IS A CONTROLLED DOCUMENT.		DWN Gino.Yao 09APR2015	TE Connectivity	
DIMENSIONS: mm		CHK Chris.Wang 09APR2015		
TOLERANCES UNLESS OTHERWISE SPECIFIED:		APVD Xiang.Xu 09APR2015	NAME HE-010-FS	
0 PLC ±-		PRODUCT SPEC 108-137044	SIZE A3	
1 PLC ±-		APPLICATION SPEC 114-137044	CAGE CODE 00779	DRAWING NO T2040103201000
2 PLC ±-		WEIGHT -	RESTRICTED TO -	
3 PLC ±-		Customer Drawing		
4 PLC ±-		SCALE 1:1		
ANGLES ±-		SHEET 1 OF 1		
FINISH -		REV B1		

X-ON Electronics

Largest Supplier of Electrical and Electronic Components

Click to view similar products for [IC & Component Sockets](#) category:

Click to view products by [TE Connectivity](#) manufacturer:

Other Similar products are found below :

[714-43-102-31-012000](#) [0066-3-17-15-30-14-02-0](#) [0134-0-15-15-32-27-04-0](#) [614-DG5](#) [6527-0-00-15-00-00-03-0](#) [670](#) [672](#) [673](#) [712-93-120-41-001000](#) [714-93-104-31-018000](#) [8059-4G1-LF](#) [807-22-001-10-001101](#) [807-22-001-10-003101](#) [807-22-001-10-004101](#) [807-22-001-10-006101](#) [807-22-001-30-011101](#) [807-22-001-30-012101](#) [807-22-001-30-013101](#) [807-22-001-30-014101](#) [8-1437531-4](#) [8150-6P10](#) [833-93-034-10-001000](#) [835-43-014-10-001000](#) [851-41-006-10-001000](#) [851-43-008-20-001000](#) [851-43-014-20-001000](#) [851-93-006-20-001000](#) [851-93-010-20-001000](#) [852-10-026-10-001000](#) [853-43-020-10-001000](#) [86.010.0053.0](#) [116-43-306-41-003000](#) [116-43-308-41-007000](#) [116-87-308-41-007101](#) [PX-68LCC](#) [PX-84LCC](#) [121-13-318-41-001000](#) [121-13-320-41-001000](#) [121-13-308-41-001000](#) [123-43-314-41-801000](#) [123-43-420-41-001000](#) [123-43-636-41-001000](#) [123-87-320-41-001101](#) [122-13-316-41-001000](#) [123-13-624-41-001000](#) [123-43-306-41-001000](#) [123-43-322-41-801000](#) [123-43-428-41-001000](#) [123-43-624-41-001000](#) [12-3513-11](#)