

THIS DRAWING IS UNPUBLISHED.

RELEASED FOR PUBLICATION

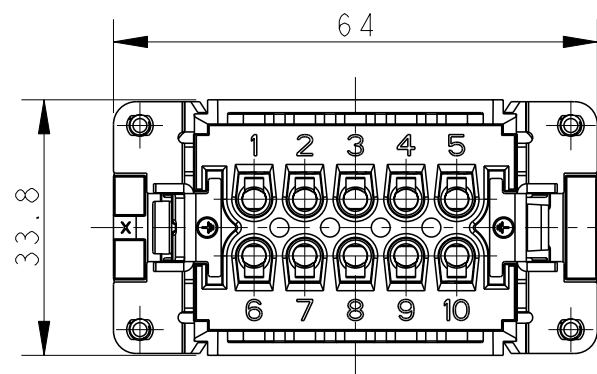
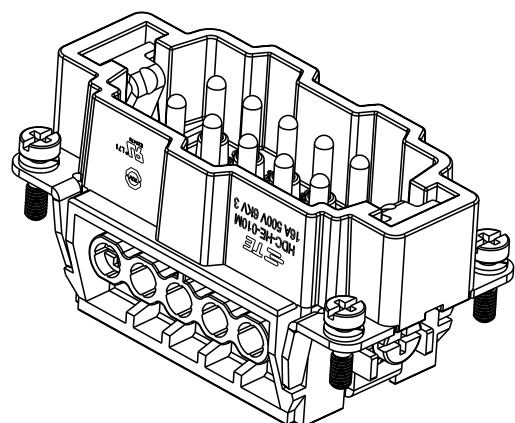
20

© COPYRIGHT 20 BY -

ALL RIGHTS RESERVED.

REVISIONS

| P | LTR | DESCRIPTION | DATE | DWN | APVD |
|----|-----|-----------------|-----------|-----|------|
| A | | INITIAL RELEASE | 06APR2015 | GY | CW |
| B | | ECR-15-013759 | 27SEP2015 | DW | CW |
| B1 | | ECR-16-011988 | 25AUG2016 | YC | CW |
| B2 | | ECR-18-017123 | 10DEC2018 | KW | CW |



TYPE 1, T2040102101-000, WITH LOGO
 类型 1, T2040102101-000, 带LOGO

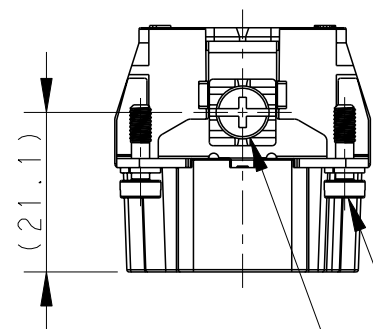
10X M3 SCREW, RECOMMENDED
 TIGHTENING TORQUE 0.5Nm
 10X M3螺丝, 推荐锁紧力矩0.5Nm

NOTES:

- TECHNICAL CHARACTERISTICS:
 INSULATION MATERIAL: PC
 RATED VOLTAGE: 500V
 RATED CURRENT: 16A
 INSULATION RESISTANCE: $\geq 400M\Omega$
 RATED IMPULSE VOLTAGE: 6KV
 POLLUTION DEGREE: 3
 FLAMMABILITY: UL94V-0
 MATING CYCLES: 500 CYCLES
 WIRE RANGE: $0.5mm^2 \sim 2.5mm^2$ (AWG20-AWG14)
 CONTACT TYPE: SCREW CLAMP (M3)

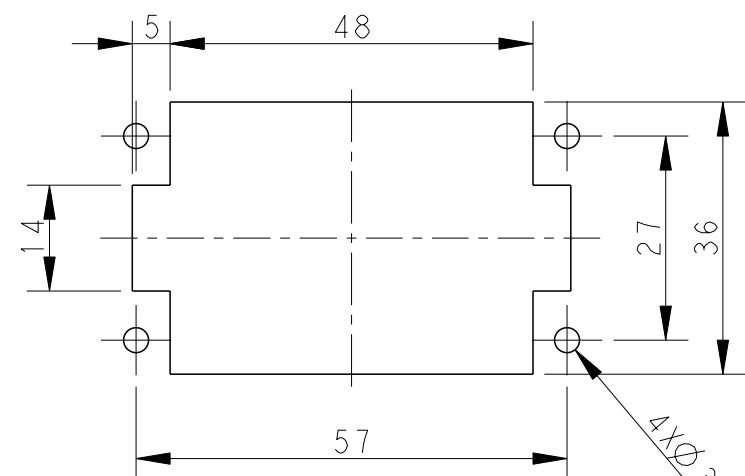
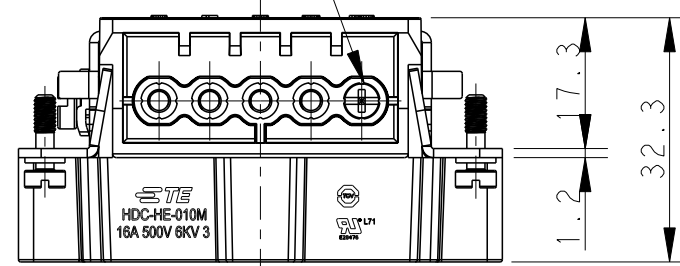
注释:

- 技术参数:
 绝缘材料: PC
 额定电压: 500V
 额定电流: 16A
 绝缘电阻: $\geq 400M\Omega$
 脉冲电压: 6KV
 污染等级: 3
 阻燃等级: UL94V-0
 插拔次数: 500 次
 接线范围: $0.5mm^2 \sim 2.5mm^2$ (AWG20-AWG14)
 接线类型: 螺丝压接 (M3)

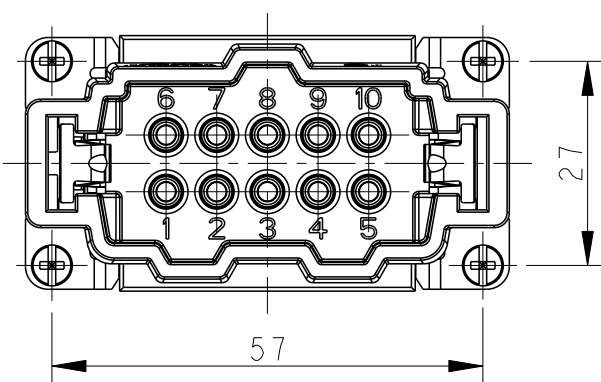


4X M3 SCREW, RECOMMENDED
 TIGHTENING TORQUE 0.5Nm
 4X M3螺丝, 推荐锁紧力矩0.5Nm

M4 SCREW, RECOMMENDED
 TIGHTENING TORQUE 1.2Nm
 M4螺丝, 推荐锁紧力矩1.2Nm



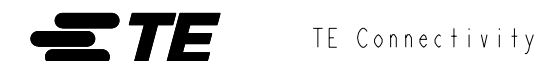
PANEL CUT FOR INSERTS FOR USE
 WITHOUT HOODS/ HOUSINGS
 不使用防护外壳时芯件的安装开孔图



THIS DRAWING IS A CONTROLLED DOCUMENT.

| DIMENSIONS: | TOLERANCES UNLESS OTHERWISE SPECIFIED: |
|-------------|--|
| - | 0 PLC ±- |
| | 1 PLC ±- |
| | 2 PLC ±- |
| | 3 PLC ±- |
| | 4 PLC ±- |
| | ANGLES ±- |
| MATERIAL | FINISH |
| - | - |
| - | - |

| | | |
|------------------|------------|-----------|
| DWN | GINO YAO | 06APR2015 |
| CHK | CHRIS WANG | 06APR2015 |
| APVD | XIANG XU | 06APR2015 |
| PRODUCT SPEC | 108-137044 | |
| APPLICATION SPEC | 114-137044 | |
| WEIGHT | - | |
| CUSTOMER DRAWING | | |



| | | | |
|-------|-----------|------------------|---------------|
| NAME | | HE-010-M | |
| SIZE | CAGE CODE | DRAWING NO | RESTRICTED TO |
| A3 | 00779 | C-T2040102101000 | - |
| SCALE | | SHEET | |
| 1:1 | | 1 OF 2 | |
| REV | | B2 | |

THIS DRAWING IS UNPUBLISHED.

RELEASED FOR PUBLICATION

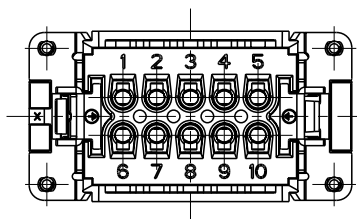
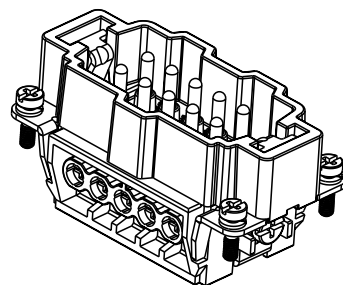
20

© COPYRIGHT 20 BY -

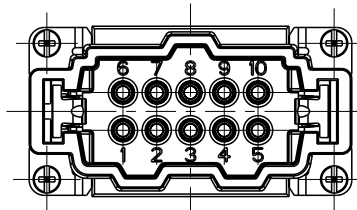
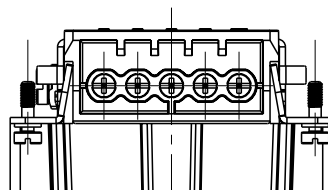
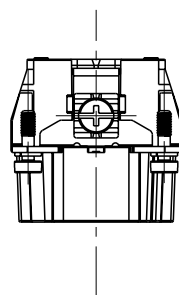
ALL RIGHTS RESERVED.

REVISIONS

| P | LTR | DESCRIPTION | DATE | DWN | APVD |
|---|-----|-------------|------|-----|------|
| - | - | SEE SHEET 1 | - | - | - |
| | | | | | |
| | | | | | |

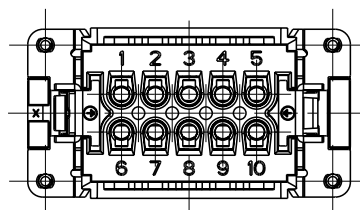
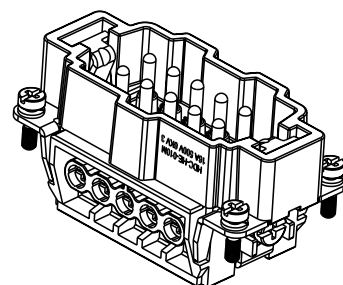


TYPE 2, T2040102101-001, WITHOUT LASER SIDE MARK
 类型 2, T2040102101-001, 不带侧面激光标识

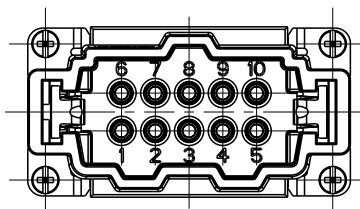
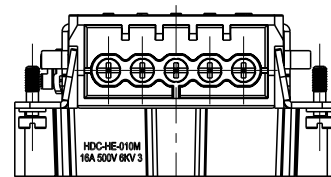
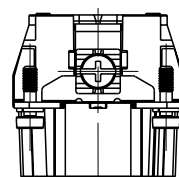


NOTE:
 ALL SPEC REFER TO TYPE 1

注释:
 所有产品规范参照 TYPE 1



TYPE 3, T2049102101-000, LASER WITHOUT LOGO
 类型 3, T2049102101-000, 激光标识不带 LOGO



| | | | |
|-------------------|------------------------|---|------------|
| T2040102101-000 | HE-010-M | HE-010 MALE INSERT HE-010 公插 | TYPE 1 |
| T2040102101-001 | HE-010-M | HE-010 MALE INSERT, WITHOUT LASER SIDE MARK HE-010 公插, 无激光侧面标识 | TYPE 2 |
| T2049102101-000 | HE-010-M | HE-010 MALE INSERT, WITHOUT LOGO HE-010 公插, 无LOGO | TYPE 3 |
| PART NUMBER 料号 | PART DESCRIPTION 描述 | | TYPE 类型 |

THIS DRAWING IS A CONTROLLED DOCUMENT.

| DIMENSIONS: | TOLERANCES UNLESS OTHERWISE SPECIFIED: |
|-------------|--|
| mm | 0 PLC ±- |
| | 1 PLC ±- |
| | 2 PLC ±- |
| | 3 PLC ±- |
| | 4 PLC ±- |
| | ANGLES ±- |
| MATERIAL | FINISH |
| - | - |
| - | - |

| | | |
|------------------|------------|-----------|
| DWN | GINO YAO | 06APR2015 |
| CHK | CHRIS WANG | 06APR2015 |
| APVD | XIANG XU | 06APR2015 |
| PRODUCT SPEC | 108-137044 | |
| APPLICATION SPEC | 114-137044 | |
| WEIGHT | - | |
| CUSTOMER DRAWING | | |

| | | | | |
|------------|-------|------------------|-----------|----------|
| | | NAME | | HE-010-M |
| | | SIZE | CAGE CODE | |
| DRAWING NO | | RESTRICTED TO | | - |
| A300779 | | C-T2040102101000 | | |
| SCALE | SHEET | OF | REV | |
| 2:3 | 2 | 2 | B2 | |

X-ON Electronics

Largest Supplier of Electrical and Electronic Components

Click to view similar products for IC & Component Sockets category:

Click to view products by TE Connectivity manufacturer:

Other Similar products are found below :

[714-43-102-31-012000](#) [0066-3-17-15-30-14-02-0](#) [0134-0-15-15-32-27-04-0](#) [614-DG5](#) [6527-0-00-15-00-00-03-0](#) [670](#) [672](#) [673](#) [712-93-120-41-001000](#) [714-93-104-31-018000](#) [8059-4G1-LF](#) [807-22-001-10-001101](#) [807-22-001-10-003101](#) [807-22-001-10-004101](#) [807-22-001-10-006101](#) [807-22-001-30-011101](#) [807-22-001-30-012101](#) [807-22-001-30-013101](#) [807-22-001-30-014101](#) [8-1437531-4](#) [8150-6P10](#) [833-93-034-10-001000](#) [835-43-014-10-001000](#) [851-41-006-10-001000](#) [851-43-008-20-001000](#) [851-43-014-20-001000](#) [851-93-006-20-001000](#) [851-93-010-20-001000](#) [852-10-026-10-001000](#) [853-43-020-10-001000](#) [86.010.0053.0](#) [116-43-306-41-003000](#) [116-43-308-41-007000](#) [116-87-308-41-007101](#) [PX-68LCC](#) [PX-84LCC](#) [121-13-318-41-001000](#) [121-13-320-41-001000](#) [121-13-308-41-001000](#) [123-43-314-41-801000](#) [123-43-420-41-001000](#) [123-43-636-41-001000](#) [123-87-320-41-001101](#) [122-13-316-41-001000](#) [123-13-624-41-001000](#) [123-43-306-41-001000](#) [123-43-322-41-801000](#) [123-43-428-41-001000](#) [123-43-624-41-001000](#) [12-3513-11](#)