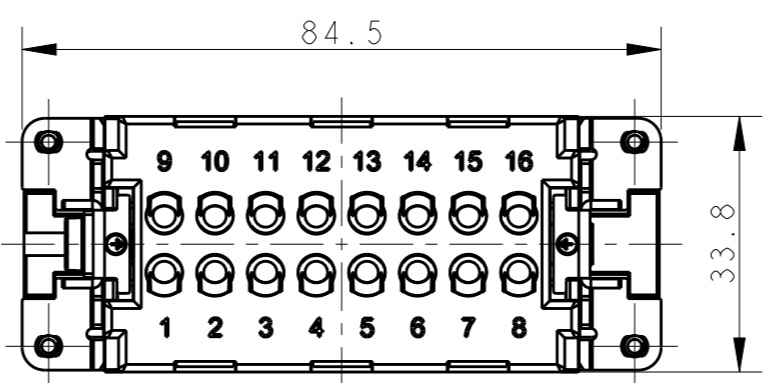
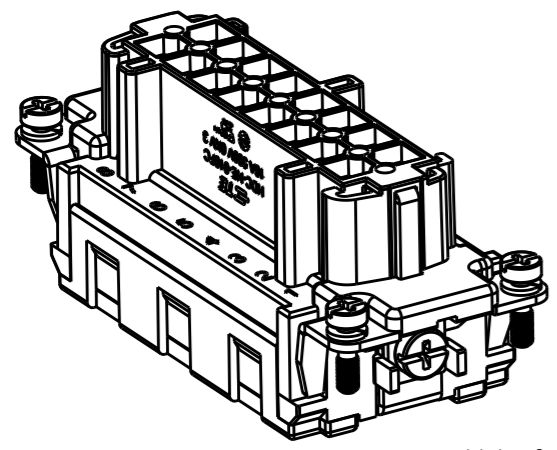
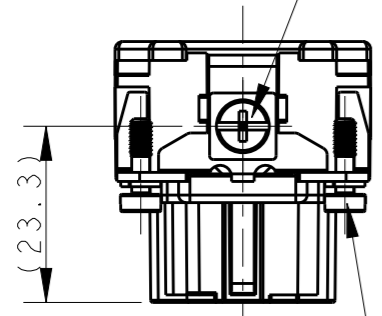


THIS DRAWING IS UNPUBLISHED. RELEASED FOR PUBLICATION 20
 © COPYRIGHT 20 BY - ALL RIGHTS RESERVED.

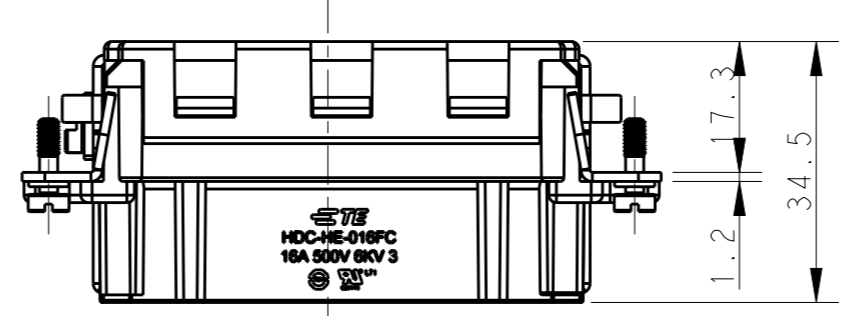
| REVISIONS | | | | | |
|-----------|-----|-----------------|-----------|-----|------|
| P | LTR | DESCRIPTION | DATE | DWN | APVD |
| | A | INITIAL RELEASE | 16APR2015 | GY | CW |
| | B | ECR-15-013759 | 12OCT2015 | DW | CW |
| | B1 | ECR-16-015492 | 16NOV2016 | QY | CW |



M4 SCREW, RECOMMENDED
 TIGHTENING TORQUE 1.2Nm
 M4螺丝, 推荐锁紧力矩1.2Nm

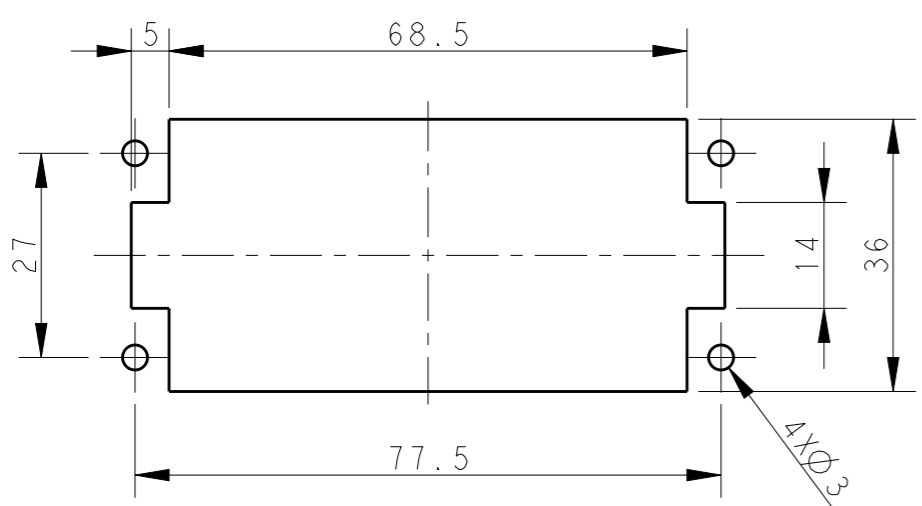


4X M3 SCREW, RECOMMENDED
 TIGHTENING TORQUE 0.5Nm
 4X M3螺丝, 推荐锁紧力矩0.5Nm

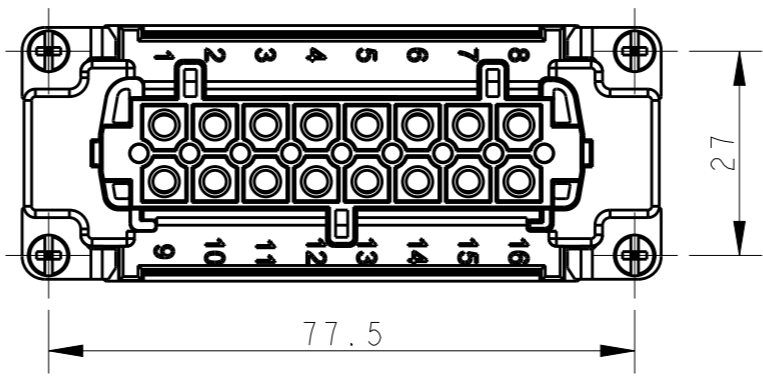


NOTES:
 1. TECHNICAL CHARACTERISTICS:
 INSULATION MATERIAL: PC
 RATED VOLTAGE: 500V
 RATED CURRENT: 16A
 INSULATION RESISTANCE: $\geq 400M\Omega$
 RATED IMPULSE VOLTAGE: 6KV
 POLLUTION DEGREE: 3
 FLAMMABILITY: UL94V-0
 MATING CYCLES: 500 CYCLES
 WIRE RANGE: $0.14mm^2 \sim 4mm^2$ (AWG26-AWG12)
 CONTACT TYPE: CRIMP CONTACT
 2. CONTACTS NEED TO BE ORDERED SEPARATELY.
 (ORDER No. REFER TO DRAWING: T20300X20XX000)

注释:
 1. 技术参数:
 绝缘材料: PC
 额定电压: 500V
 额定电流: 16A
 绝缘电阻: $\geq 400M\Omega$
 脉冲电压: 6KV
 污染等级: 3
 阻燃等级: UL94V-0
 插拔次数: 500次
 接线范围: $0.14mm^2 \sim 4mm^2$ (AWG26-AWG12)
 接线类型: 冷压接
 2. 端子需要单独订购。
 (订货号参考图面: T20300X20XX000)



PANEL CUT FOR INSERTS FOR USING
 WITHOUT HOODS/ HOUSINGS
 不使用防护外壳时芯件的安装开孔图



TYPE-1, T2040164201-000, TE LOGO
 类型-1, T2040164201-000, TE LOGO

| | | | | | |
|--|--|------------------|-----------|-----------------|--|
| THIS DRAWING IS A CONTROLLED DOCUMENT. | | DWN | 16APR2015 | TE Connectivity | |
| | | CHK | 16APR2015 | | |
| | | APVD | 16APR2015 | | |
| | | NAME | HE-016-FC | | |
| DIMENSIONS: | | PRODUCT SPEC | | RESTRICTED TO | |
| mm | | 108-137044 | | - | |
| TOLERANCES UNLESS OTHERWISE SPECIFIED: | | APPLICATION SPEC | | SCALE | |
| 0 PLC ±- | | 114-137044 | | 1:1 | |
| 1 PLC ±- | | WEIGHT | | SHEET | |
| 2 PLC ±- | | - | | 1 OF 2 | |
| 3 PLC ±- | | CUSTOMER DRAWING | | REV | |
| 4 PLC ±- | | | | B1 | |
| ANGLES ±- | | | | | |
| FINISH | | | | | |
| - | | | | | |
| - | | | | | |

4

3

2

1

THIS DRAWING IS UNPUBLISHED.

RELEASED FOR PUBLICATION

20

© COPYRIGHT 20 BY -

ALL RIGHTS RESERVED.

REVISIONS

| P | LTR | DESCRIPTION | DATE | DWN | APVD |
|---|-----|-------------|------|-----|------|
| - | | SEE SHEET 1 | - | - | - |
| | | | | | |
| | | | | | |

NOTE:

SEE SHEET 1

注释:
见页 1

TYPE-2, T2040164201-001, STAINLESS STEEL SCREW, NO LOGO
类型-2, T2040164201-001, 不锈钢螺丝, 无LOGO

ALL SPEC DIMENSION REFER TO TYPE 1
所有产品规格尺寸参照 TYPE 1

| | | | |
|-------------------|------------------------|---|----------------|
| T2040164201-001 | HE-016-FC | HE-016 FEMALE INSERT, CRIMPING, STAINLESS STEEL SCREW, NO LOGO HE-016母插, 冷压针, 不锈钢螺丝, 无LOGO | TYPE-2 类型-2 |
| T2040164201-000 | HE-016-FC | HE-016 FEMALE INSERT, CRIMPING HE-016母插, 冷压针 | TYPE-1 类型-1 |
| PART NUMBER 料号 | PART DESCRIPTION 描述 | | TYPE 类型 |

| | | | | |
|--|--|--------------------------------|--------------------|------------------------------|
| THIS DRAWING IS A CONTROLLED DOCUMENT. | | DWN Gino.Yao 16APR2015 | | |
| DIMENSIONS: mm | | CHK Chirs.Wang 16APR2015 | | |
| TOLERANCES UNLESS OTHERWISE SPECIFIED: | | APVD Xiang.Xu 16APR2015 | NAME HE-016-FC | |
| 0 PLC ±- | | PRODUCT SPEC 108-137044 | SIZE A3 | |
| 1 PLC ±- | | APPLICATION SPEC 114-137044 | CAGE CODE 00779 | DRAWING NO T2040164201000 |
| 2 PLC ±- | | WEIGHT - | RESTRICTED TO - | |
| 3 PLC ±- | | CUSTOMER DRAWING | SCALE 1:1 | SHEET 2 OF 2 |
| 4 PLC ±- | | | REV B1 | |
| ANGLES ±- | | | | |
| FINISH - | | | | |
| MATERIAL - | | | | |

1470-19 (3/13)

X-ON Electronics

Largest Supplier of Electrical and Electronic Components

Click to view similar products for [Headers & Wire Housings](#) category:

Click to view products by [TE Connectivity](#) manufacturer:

Other Similar products are found below :

[95000-104TRLF](#) [10135584-644402LF](#) [DF62W-EP2022PCA](#) [95000-106TRLF](#) [DF62W-2022SCA](#) [48050-002LF](#) [DF62W-EP2022PC](#) [2203348](#)
[DF62W-2022SC](#) [1084018](#) [1029039](#) [1084017](#) [802-10-012-10-002000](#) [1112640](#) [1112639](#) [891-007-9SS-BST1T](#) [000-34000](#) [0008550134](#)
[0009482033](#) [0009507031](#) [0009524054](#) [57102-F02-18ULF](#) [57102-S06-03LF](#) [57202-S52-04LF](#) [PCN6-15S-2.5E](#) [0039019024](#) [58102-G61-](#)
[06LF](#) [582553-1](#) [0009485154](#) [0009508121](#) [0022285053](#) [0050291907](#) [018731A](#) [LY20-4P-DT1-P1E-BR](#) [02.125.8002.8](#) [60101931](#) [60598-1](#)
[\(Cut Strip\)](#) [M1625-3R/100](#) [61062-3](#) [61082-181009](#) [632209-000](#) [636-1427](#) [638009-1](#) [641938-9](#) [641991-4](#) [644168-1](#) [644827-2](#) [647662-1](#)
[65039-019ELF](#) [65692-001LF](#)