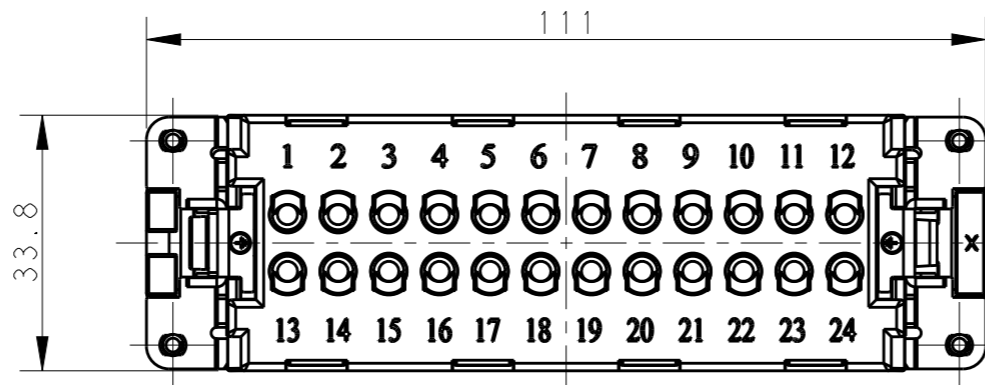
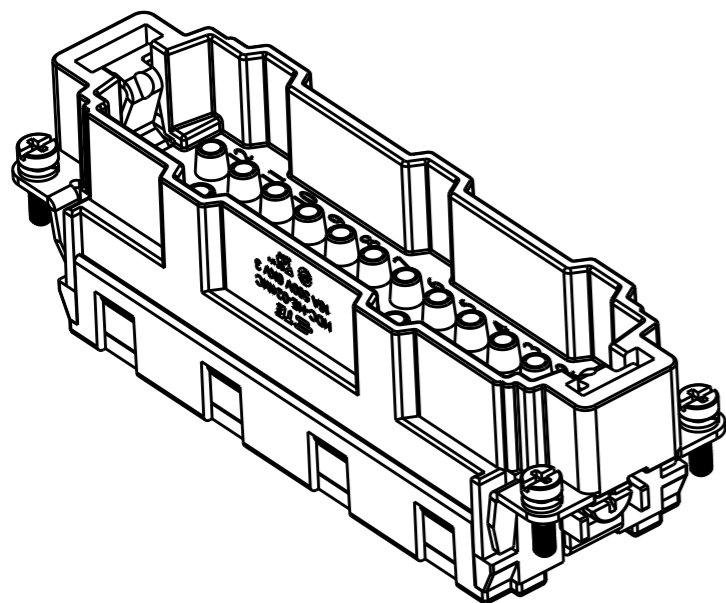


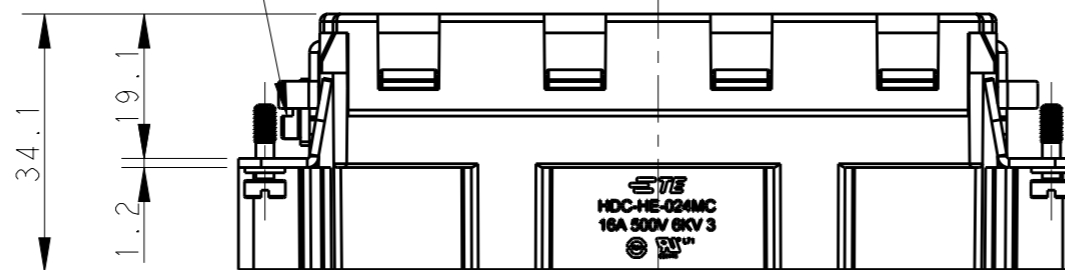
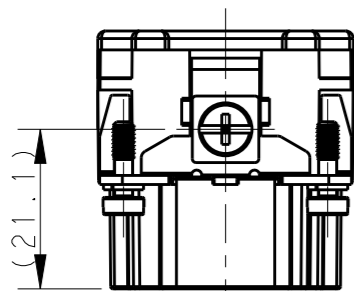
THIS DRAWING IS UNPUBLISHED. RELEASED FOR PUBLICATION 20
 © COPYRIGHT 20 BY - ALL RIGHTS RESERVED.

REVISIONS

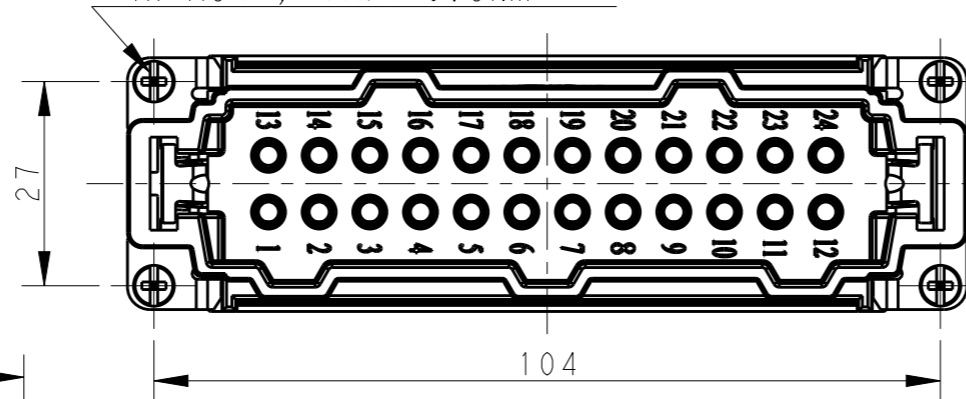
P	LTR	DESCRIPTION	DATE	DWN	APVD
A		INITIAL	05Jan2015	GY	CW
A1		ECR-15-004309	24Mar2015	GY	CW
B		ECR-15-013759	10Oct2015	DW	CW
B1		ECR-16-015492	17NOV2016	QY	CW



M4 SCREW, RECOMMENDED
 TIGHTENING TORQUE 1.2Nm
 M4螺丝, 推荐锁紧力矩1.2Nm



4X M3 SCREW, RECOMMENDED
 TIGHTENING TORQUE 0.5Nm
 4X M3螺丝, 推荐锁紧力矩0.5Nm



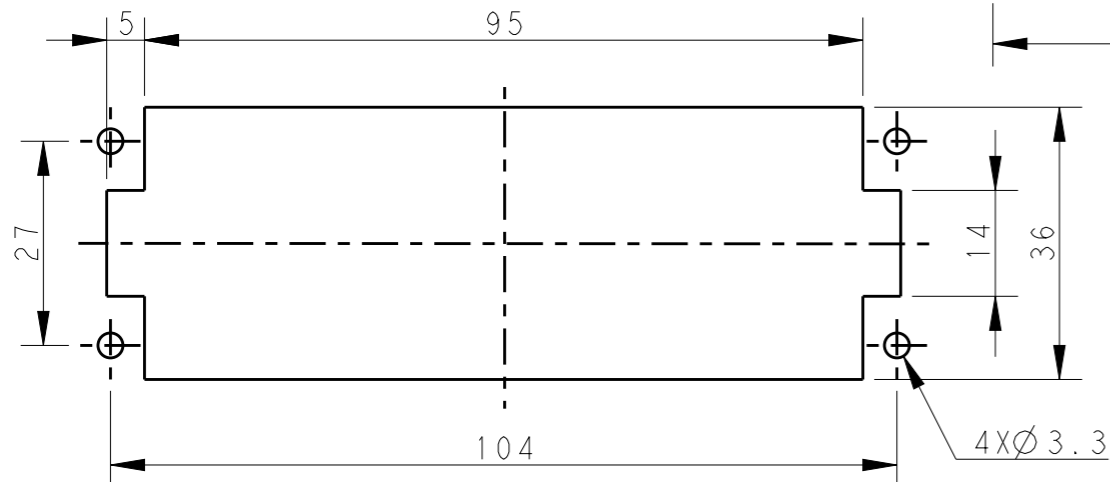
NOTES:

- TECHNICAL CHARACTERISTICS:
 INSULATION MATERIAL: PC
 RATED VOLTAGE: 500V
 RATED CURRENT: 16A
 INSULATION RESISTANCE: $\geq 400M\Omega$
 RATED IMPULSE VOLTAGE: 6KV
 POLLUTION DEGREE: 3
 FLAMMABILITY: UL94V-0
 MATING CYCLES: 500 CYCLES
 WIRE RANGE: $0.14mm^2 \sim 4mm^2$ (AWG26-AWG12)
 CONTACT TYPE: CRIMP CONTACT
- CONTACTS NEED TO BE ORDERED SEPARATELY.
 (ORDER No. REFER TO DRAWING: T20300X10XX000)

注释:

- 技术参数:
 绝缘材料: PC
 额定电压: 500V
 额定电流: 16A
 绝缘电阻: $\geq 400M\Omega$
 脉冲电压: 6KV
 污染等级: 3
 阻燃等级: UL94V-0
 插拔次数: 500次
 接线范围: $0.14mm^2 \sim 4mm^2$ (AWG26-AWG12)
 接线类型: 冷压接
- 端子需要单独订购。
 (订货号参考图面: T20300X10XX000)

TYPE-1, T2040244101-000, TE LOGO
 类型-1, T2040244101-000, TE LOGO



PANEL CUT FOR INSERTS FOR USING
 WITHOUT HOODS/ HOUSINGS
 不使用防护外壳时芯件的安装开孔图

THIS DRAWING IS A CONTROLLED DOCUMENT.

DIMENSIONS:	TOLERANCES UNLESS OTHERWISE SPECIFIED:
mm	
	0 PLC \pm
	1 PLC \pm
	2 PLC \pm
	3 PLC \pm
	4 PLC \pm
	ANGLES \pm
MATERIAL	FINISH
-	-

DWN	Gino.Yao	19Aug2014
CHK	Chris.Wang	19Aug2014
APVD	Xiang.Xu	19Aug2014
PRODUCT SPEC	108-137044	
APPLICATION SPEC	114-137044	
WEIGHT	-	
CUSTOMER DRAWING		

		TE Connectivity	
		NAME HE-024-MC	
SIZE	CAGE CODE	DRAWING NO	RESTRICTED TO
A3	00779	T2040244101000	-
SCALE		SHEET	REV
1:1		1 OF 2	B1

THIS DRAWING IS UNPUBLISHED.

RELEASED FOR PUBLICATION

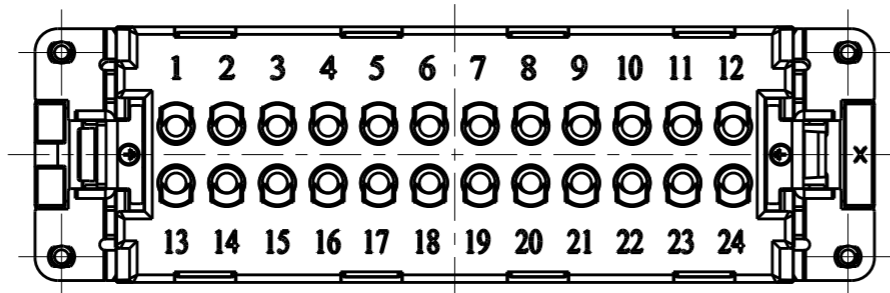
20

© COPYRIGHT 20 BY -

ALL RIGHTS RESERVED.

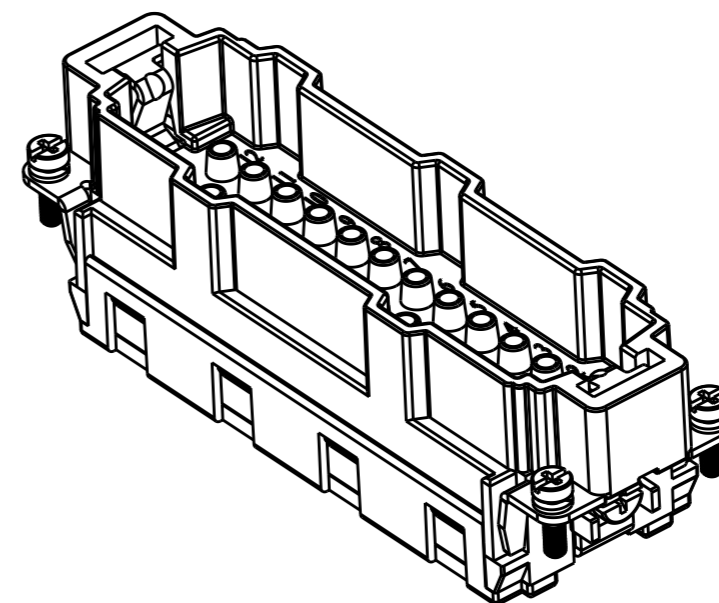
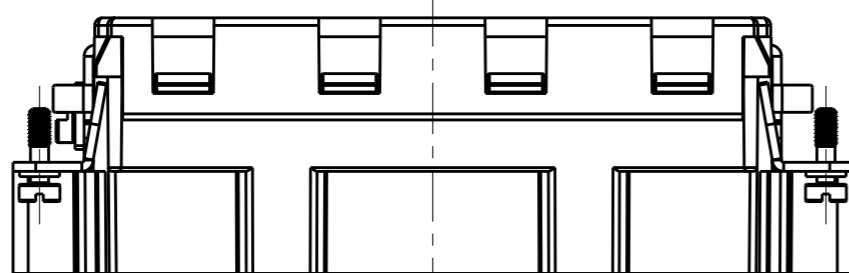
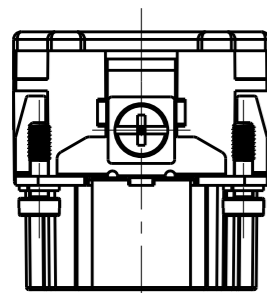
REVISIONS

P	LTR	DESCRIPTION	DATE	DWN	APVD
-	-	SEE SHEET 1	-	-	-

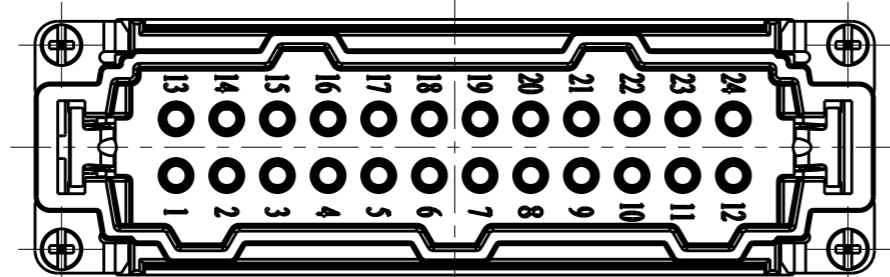


NOTE:
SEE SHEET 1

注释:
见页 1



TYPE-2, T2040244101-001, STAINLESS STEEL SCREW, NO LOGO
类型-2, T2040244101-001, 不锈钢螺丝, 无LOGO



ALL SPEC DIMENSION REFER TO TYPE 1
所有产品规格尺寸参照 TYPE 1

PART NUMBER 料号	PART DESCRIPTION 描述	TYPE 类型
T2040244101-001	HE-024 MALE INSERT, CRIMPING, STAINLESS STEEL SCREW, NO LOGO HE-024公插, 冷压针, 不锈钢螺丝, 无LOGO	TYPE-2 类型-2
T2040244101-000	HE-024 MALE INSERT, CRIMPING HE-024公插, 冷压针	TYPE-1 类型-1

THIS DRAWING IS A CONTROLLED DOCUMENT.		DWN Gino.Yao 19Aug2014						
DIMENSIONS: mm		CHK Chris.Wang 19Aug2014			NAME HE-024-MC			
TOLERANCES UNLESS OTHERWISE SPECIFIED:		APVD Xiang.Xu 19Aug2014			PRODUCT SPEC 108-137044			
0 PLC ±- 1 PLC ±- 2 PLC ±- 3 PLC ±- 4 PLC ±- ANGLES ±-		APPLICATION SPEC 114-137044			RESTRICTED TO -			
MATERIAL -	FINISH -	WEIGHT -	SIZE A3	CAGE CODE 00779	DRAWING NO T2040244101000	SCALE 1:1	SHEET 2 OF 2	REV B1
		CUSTOMER DRAWING						

X-ON Electronics

Largest Supplier of Electrical and Electronic Components

Click to view similar products for [Headers & Wire Housings](#) category:

Click to view products by [TE Connectivity](#) manufacturer:

Other Similar products are found below :

[95000-104TRLF](#) [10135584-644402LF](#) [DF62W-EP2022PCA](#) [95000-106TRLF](#) [DF62W-2022SCA](#) [48050-002LF](#) [DF62W-EP2022PC](#) [2203348](#)
[DF62W-2022SC](#) [1084018](#) [1029039](#) [1084017](#) [802-10-012-10-002000](#) [1112640](#) [1112639](#) [891-007-9SS-BST1T](#) [000-34000](#) [0008550134](#)
[0009482033](#) [0009507031](#) [0009524054](#) [57102-F02-18ULF](#) [57102-S06-03LF](#) [57202-S52-04LF](#) [PCN6-15S-2.5E](#) [0039019024](#) [58102-G61-](#)
[06LF](#) [582553-1](#) [0009485154](#) [0009508121](#) [0022285053](#) [0050291907](#) [018731A](#) [LY20-4P-DT1-P1E-BR](#) [02.125.8002.8](#) [60101931](#) [60598-1](#)
[\(Cut Strip\)](#) [M1625-3R/100](#) [61062-3](#) [61082-181009](#) [632209-000](#) [636-1427](#) [638009-1](#) [641938-9](#) [641991-4](#) [644168-1](#) [644827-2](#) [647662-1](#)
[65039-019ELF](#) [65692-001LF](#)