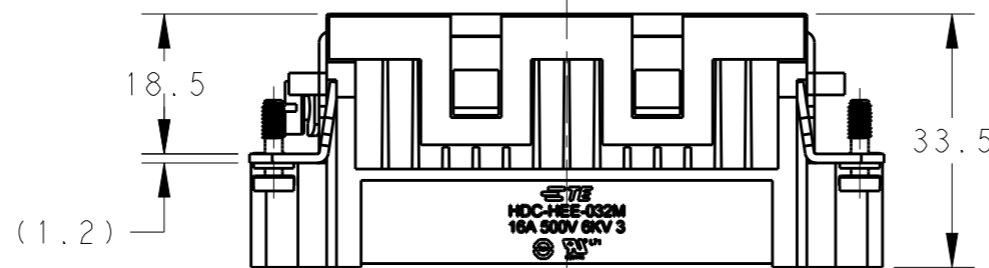
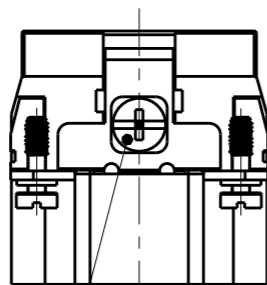
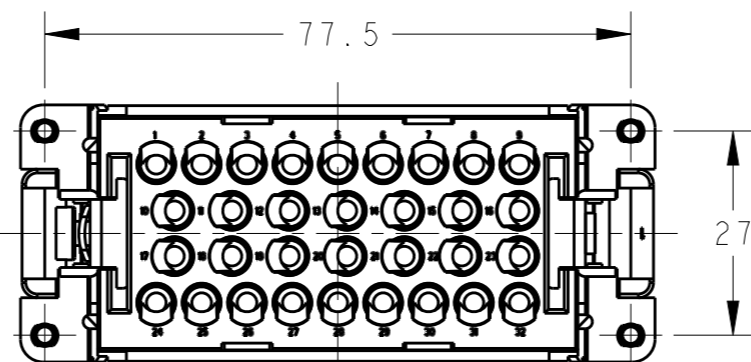
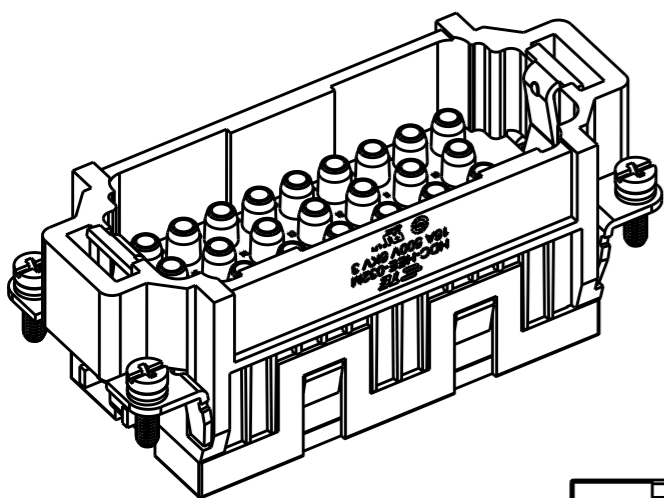


THIS DRAWING IS UNPUBLISHED. RELEASED FOR PUBLICATION 20
 © COPYRIGHT 20 BY - ALL RIGHTS RESERVED.

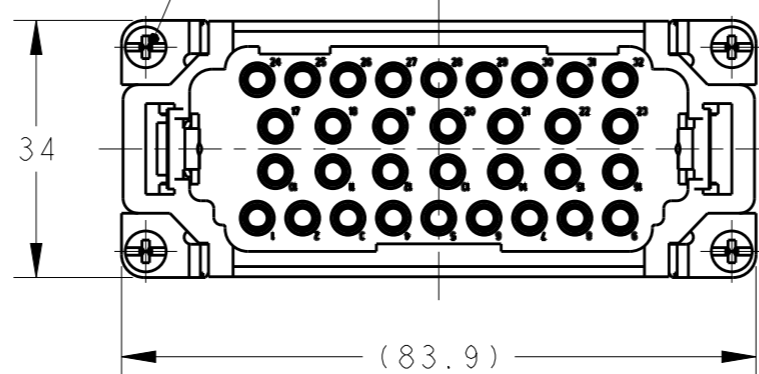
REVISIONS

P	LTR	DESCRIPTION	DATE	DWN	APVD
A2	ECR-15-004309		18MAR2015	DW	CW
A3	ECR-15-007632		25MAY2015	DW	CW
B	ECR-15-014907		14OCT2015	DL	CW
B1	ECR-16-015492		09NOV2016	QY	CW



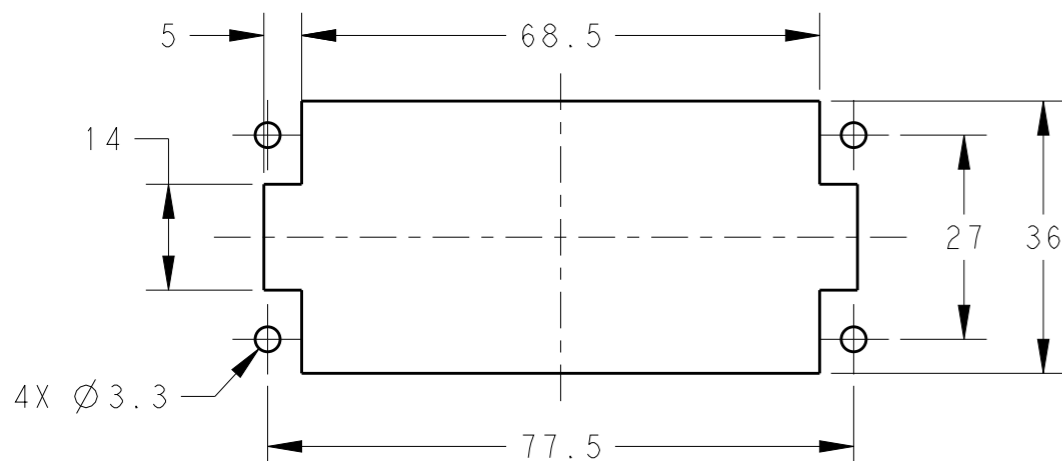
M4 SCREW, RECOMMENDED
 TIGHTENING TORQUE 1.2Nm
 M4螺丝, 推荐锁紧力矩1.2Nm

4X M3 SCREW, RECOMMENDED
 TIGHTENING TORQUE 0.5Nm
 4X M3螺丝, 推荐锁紧力矩0.5Nm



PANEL CUT FOR INSERTS FOR USE
 WITHOUT HOODS/ HOUSINGS
 不使用防护外壳时芯件的安装开孔图

TYPE-1, T2050322101-000, WITH TE LOGO
 类型-1, T2050322101-000, 带TE LOGO



NOTES:

- TECHNICAL CHARACTERISTICS:
 INSULATION MATERIAL: PC
 RATED VOLTAGE: 500 V
 RATED CURRENT: 16 A
 INSULATION RESISTANCE: $\geq 400M\Omega$
 RATED IMPULSE VOLTAGE: 6 KV
 POLLUTION DEGREE: 3
 FLAMMABILITY: UL94V-0
 MATING CYCLES: 500 CYCLES
 OPERATION TEMPERATURE: $-40-+125^{\circ}C$
 WIRE RANGE: 0.14-4 mm² (26-12 AWG)
 CONTACT TYPE: CRIMP CONTACT
- CONTACT NEED TO BE ORDERED SEPARATELY.
 (ORDER No. REFER TO DRAWING: T20300X10XX000)

注释:

- 技术参数:
 绝缘材料: PC
 额定电压: 500V
 额定电流: 16A
 绝缘电阻: $\geq 400M\Omega$
 额定脉冲电压: 6 KV
 污染等级: 3
 阻燃等级: UL94V-0
 插拔次数: 500次
 工作温度: $-40-+125^{\circ}C$
 接线范围: 0.14-4 mm² (26-12 AWG)
 接线类型: 冷压接
- 端子需要单独订购。
 (订货号参考图面: T20300X10XX000)

THIS DRAWING IS A CONTROLLED DOCUMENT.		DWN 11JUN2014 David Wang		TE Connectivity	
DIMENSIONS: mm		CHK 11JUN2014 Chris Wang			
TOLERANCES UNLESS OTHERWISE SPECIFIED:		APVD 11JUN2014 Xiang Xu		NAME HEE-032-M	
0 PLC ±-		PRODUCT SPEC 108-106137		SIZE	
1 PLC ±-		APPLICATION SPEC 114-106137		CAGE CODE	
2 PLC ±--		WEIGHT -		DRAWING NO T2050322101000	
3 PLC ±-		Customer Drawing		RESTRICTED TO -	
4 PLC ±-		SCALE 1:1		SHEET 1 OF 2	
ANGLES ±-		REV B1			
FINISH					
MATERIAL					

THIS DRAWING IS UNPUBLISHED.

RELEASED FOR PUBLICATION

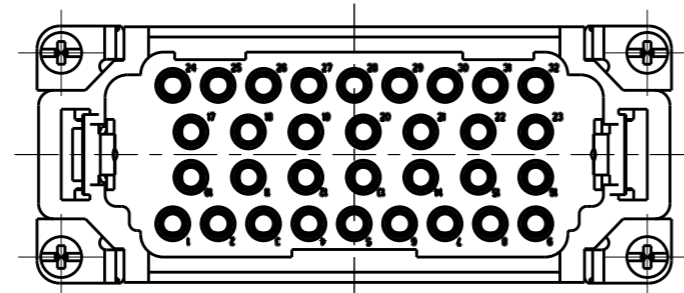
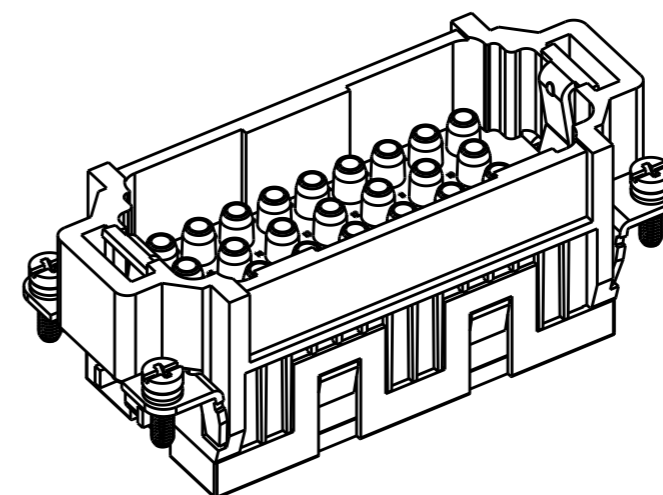
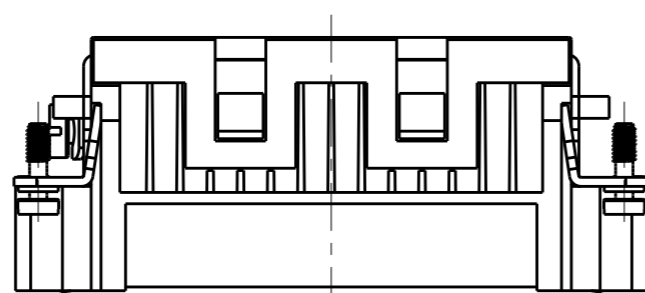
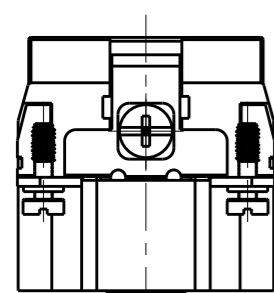
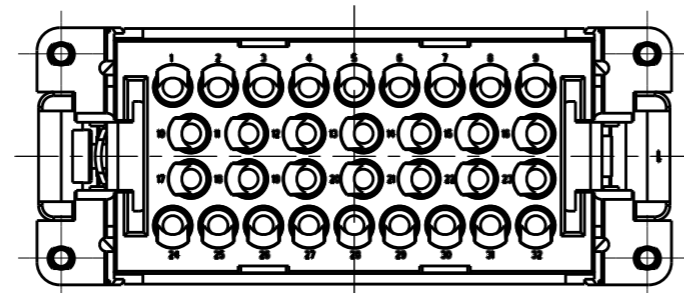
20

© COPYRIGHT 20 BY -

ALL RIGHTS RESERVED.

REVISIONS

P	LTR	DESCRIPTION	DATE	DWN	APVD
-		SEE SHEET 1	-	-	-



NOTE:
ALL SPEC REFER TO TYPE 1

注释:
所有产品规范参照 TYPE 1

TYPE-2, T2050322101-001, WITH STAINLESS STEEL SCREW, WITHOUT LOGO
类型-2, T2050322101-001, 带不锈钢螺丝, 无LOGO

T2050322101-001	HEE-032-M	HEE-032 MALE INSERT, WITH STAINLESS STEEL SCREW, WITHOUT LOGO HEE-032 公插, 带不锈钢螺丝, 无LOGO	TYPE-2 类型-2
T2050322101-000	HEE-032-M	HEE-032 MALE INSERT HEE-032 公插	TYPE-1 类型-1
PART NUMBER 料号	PART DESCRIPTION 描述		TYPE 类型

THIS DRAWING IS A CONTROLLED DOCUMENT.		DWN 11 JUN 2014 David Wang		
DIMENSIONS: mm		CHK 11 JUN 2014 Chris Wang		
TOLERANCES UNLESS OTHERWISE SPECIFIED:		APVD 11 JUN 2014 Xiang Xu	NAME HEE-032-M	
0 PLC ±-		PRODUCT SPEC 108-106137	SIZE CAGE CODE DRAWING NO RESTRICTED TO	
1 PLC ±-		APPLICATION SPEC 114-106137	A300779 © T2050322101000 -	
2 PLC ±--		WEIGHT -	SCALE 1:1 SHEET 2 OF 2 REV B1	
3 PLC ±-		Customer Drawing		
4 PLC ±-				
ANGLES ±-				
FINISH				
MATERIAL				

X-ON Electronics

Largest Supplier of Electrical and Electronic Components

Click to view similar products for [Headers & Wire Housings](#) category:

Click to view products by [TE Connectivity](#) manufacturer:

Other Similar products are found below :

[95000-104TRLF](#) [10135584-644402LF](#) [DF62W-EP2022PCA](#) [95000-106TRLF](#) [DF62W-2022SCA](#) [48050-002LF](#) [DF62W-EP2022PC](#) [2203348](#)
[DF62W-2022SC](#) [1084018](#) [1029039](#) [1084017](#) [802-10-012-10-002000](#) [1112640](#) [1112639](#) [891-007-9SS-BST1T](#) [000-34000](#) [0008550134](#)
[0009482033](#) [0009507031](#) [0009524054](#) [57102-F02-18ULF](#) [57102-S06-03LF](#) [57202-S52-04LF](#) [PCN6-15S-2.5E](#) [0039019024](#) [58102-G61-](#)
[06LF](#) [582553-1](#) [0009485154](#) [0009508121](#) [0022285053](#) [0050291907](#) [018731A](#) [LY20-4P-DT1-P1E-BR](#) [02.125.8002.8](#) [60101931](#) [60598-1](#)
[\(Cut Strip\)](#) [M1625-3R/100](#) [61062-3](#) [61082-181009](#) [632209-000](#) [636-1427](#) [638009-1](#) [641938-9](#) [641991-4](#) [644168-1](#) [644827-2](#) [647662-1](#)
[65039-019ELF](#) [65692-001LF](#)