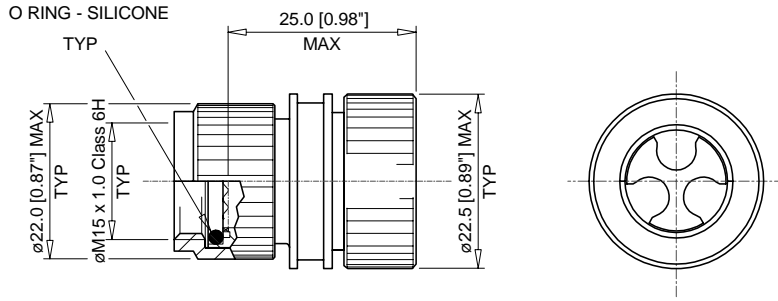
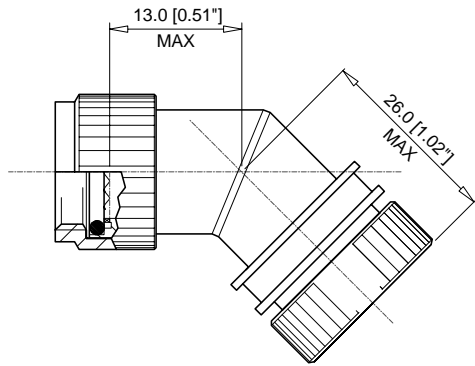
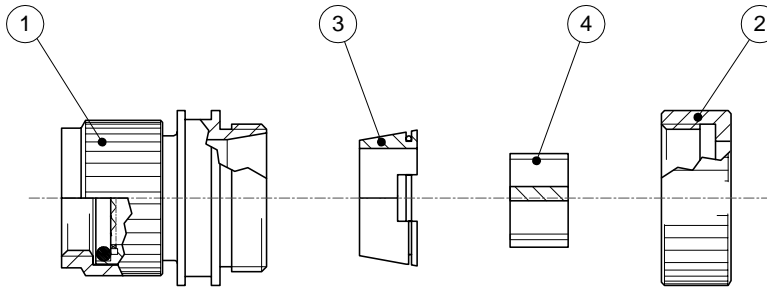


# SPECIFICATION CONTROL DRAWING

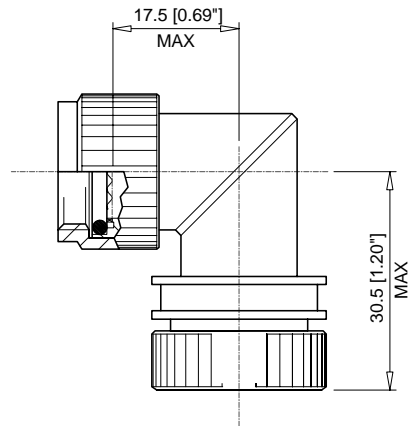
|           |                  |                       |
|-----------|------------------|-----------------------|
| REV:<br>A | DCR #<br>D070020 | DATE:<br>FEB 28, 2007 |
|-----------|------------------|-----------------------|



**STRAIGHT ADAPTOR**  
**-00**



**45° ADAPTOR**  
**-45**



**90° ADAPTOR**  
**-90**

© 2007 Tyco Electronics Corporation. All rights reserved

|  |                   |  |                      |                |                  |
|--|-------------------|--|----------------------|----------------|------------------|
| <div style="display: inline-block; vertical-align: middle; margin-left: 10px;"> <p><b>Raychem</b><br/>Wire and Harnessing Products<br/>300 Constitution Drive<br/>Menlo Park, CA 94025, USA</p> </div> |                   | <p>TITLE:<br/><b>HEXASHIELD ADAPTOR FOR<br/>CODE 40 CONNECTOR<br/>O/NO B 11 ENTRY SIZE A3<br/>PLAIN CLAMPING NUT</b></p> |                      |                |                  |
| <p>UNLESS OTHERWISE SPECIFIED<br/>DIMENSIONS ARE IN<br/>MILLIMETERS.<br/>INCH DIMENSIONS ARE SHOWN IN<br/>BRACKETS</p>   |                   | <p>DOCUMENT NO.<br/><b>HEX40-AY-YY-11-A3-1</b></p>   |                      |                |                  |
| DRAWN:<br>IRT  | DATE:<br>AUG 2003 | DCR#:<br>D070020   | FILE:<br>87002/11-A3 | SCALE:<br>NONE | SHEET:<br>1 OF 3 |

If this document is printed it becomes uncontrolled. Check for the latest revision.

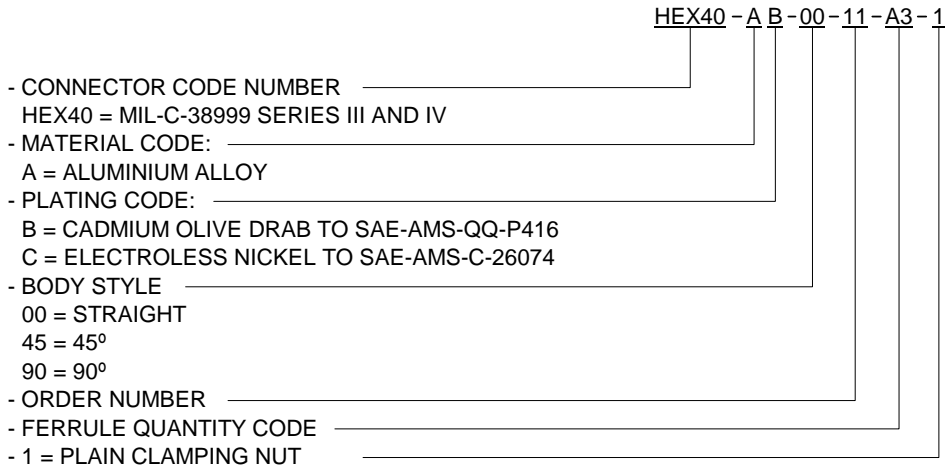
# SPECIFICATION CONTROL DRAWING

|           |                  |                       |
|-----------|------------------|-----------------------|
| REV:<br>A | DCR #<br>D070020 | DATE:<br>FEB 28, 2007 |
|-----------|------------------|-----------------------|

## KIT DESCRIPTION

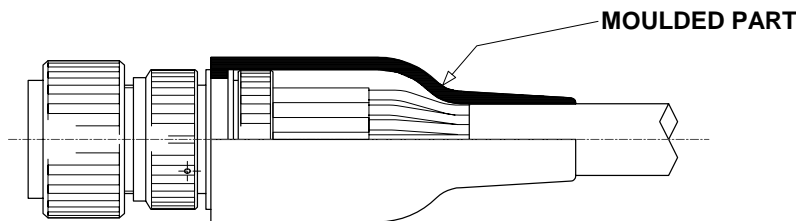
| ITEM | DESCRIPTION          | MATERIAL        |
|------|----------------------|-----------------|
| 1    | BODY ASSEMBLY        | ALUMINIUM ALLOY |
| 2    | CLAMPING NUT - PLAIN | ALUMINIUM ALLOY |
| 3    | CONIC RING           | ALUMINIUM ALLOY |
| 4    | STAR - PLAIN         | ALUMINIUM ALLOY |

## PART NUMBERING



## APPLICATION

- These adaptors are designed to be mounted on the following connectors:  
  
MIL-C-38999 Series III and IV Shell Size B (11)
- They are qualified to the Raychem specification RB-114, when installed on metallic Mil-Specification circular connectors only.
- They are designed primarily for open wire bundle installation but are also designed to accept Raychem heat shrink moulded parts where strain relief is required – see illustration.



- Use in conjunction with ferrules HET-A-0XX, which are purchased separately. Refer to HET-A-0XX S.C.D. for relevant selection details.

|  |                   |  |  |                      |                |                  |
|--|-------------------|--|--|----------------------|----------------|------------------|
| <div style="display: inline-block; vertical-align: middle; margin-left: 10px;"> <p><b>Raychem</b><br/>Wire and Harnessing Products<br/>300 Constitution Drive<br/>Menlo Park, CA 94025, USA</p> </div> |                   | <p>TITLE:<br/><b>HEXASHIELD ADAPTOR FOR<br/>CODE 40 CONNECTOR<br/>O/NO B 11 ENTRY SIZE A3<br/>PLAIN CLAMPING NUT</b></p> |  |                      |                |                  |
| <p>UNLESS OTHERWISE SPECIFIED<br/>DIMENSIONS ARE IN<br/>MILLIMETERS.<br/>INCH DIMENSIONS ARE SHOWN IN<br/>BRACKETS</p>   |                   | <p>DOCUMENT NO.<br/><b>HEX40-AY-YY-11-A3-1</b></p>   |  |                      |                |                  |
| DRAWN:<br>IRT  | DATE:<br>AUG 2003 | DCR#:<br>D070020   | <table style="width: 100%; border-collapse: collapse;"> <tr> <td style="width: 33%;">FILE:<br/>87002/11-A3</td> <td style="width: 33%;">SCALE:<br/>NONE</td> <td style="width: 33%;">SHEET:<br/>2 OF 3</td> </tr> </table> | FILE:<br>87002/11-A3 | SCALE:<br>NONE | SHEET:<br>2 OF 3 |
| FILE:<br>87002/11-A3   | SCALE:<br>NONE    | SHEET:<br>2 OF 3   |  |                      |                |                  |

# SPECIFICATION CONTROL DRAWING

|           |                  |                       |
|-----------|------------------|-----------------------|
| REV:<br>A | DCR #<br>D070020 | DATE:<br>FEB 28, 2007 |
|-----------|------------------|-----------------------|

**INSTALLATION**


- See Installation Procedure RPIP-696-04 (straight bodies) or RPIP-696-07 (45° and 90° bodies) for assembly.
- See Installation Procedure RPIP-696-00 for shield termination.

**PACKAGING**

- All components are supplied in a plastic bag.

**NOTES!**

1. Assembly is to be permanently marked with Code Identity Number and Part Number.  
(e.g. 06090 HEX40-AB-00-11-A3-1)

|  |                           |   |   |                        |                          |
|--|---------------------------|---|---|------------------------|--------------------------|
|  <div style="display: inline-block; vertical-align: middle; margin-left: 20px;"> <p><b>Raychem</b><br/>Wire and Harnessing Products<br/>300 Constitution Drive<br/>Menlo Park, CA 94025, USA</p> </div> |                           |   | <p>TITLE:</p> <p style="text-align: center;"><b>HEXASHIELD ADAPTOR FOR<br/>CODE 40 CONNECTOR<br/>O/NO B 11 ENTRY SIZE A3<br/>PLAIN CLAMPING NUT</b></p> |                        |                          |
| <p>UNLESS OTHERWISE SPECIFIED<br/>DIMENSIONS ARE IN<br/>MILLIMETERS.<br/>INCH DIMENSIONS ARE SHOWN IN<br/>BRACKETS</p>   |                           | <p>Tyco Electronics reserves the right to amend this drawing at<br/>any time. Users should evaluate the suitability of the<br/>product for their application.</p> | <p>DOCUMENT NO.</p> <p style="text-align: center;"><b>HEX40-AY-YY-11-A3-1</b></p>   |                        |                          |
| <p>DRAWN:<br/>IRT</p>  | <p>DATE:<br/>AUG 2003</p> | <p>DCR#:<br/>D070020</p>  | <p>FILE:<br/>87002/11-A3</p>  | <p>SCALE:<br/>NONE</p> | <p>SHEET:<br/>3 OF 3</p> |

If this document is printed it becomes uncontrolled. Check for the latest revision.

## X-ON Electronics

Largest Supplier of Electrical and Electronic Components

*Click to view similar products for [Standard Circular Connector](#) category:*

*Click to view products by [TE Connectivity](#) manufacturer:*

Other Similar products are found below :

[C015 10F006 001 1](#) [5M2530B10P](#) [600247N007](#) [600259N006](#) [600273N007](#) [600432N009](#) [6280-2PG-519](#) [6280-3PG-311](#) [6280-3SG-311](#)  
[6280-7SG-3DC](#) [6280-7SG-522](#) [6282-5PG-311](#) [6282-6PG-519](#) [6282-8SG-311](#) [6283-11](#) [6283-15](#) [6290](#) [6293](#) [6382-2PG-311](#) [6382-2PG-3DC](#)  
[6382-2SG-321](#) [6382-2SG-3DC](#) [6382-4SG-516](#) [67-03E20-37P](#) [681-PMG](#) [CXS3102A14S2P](#) [CXS3102A181S](#) [CXS3106A14S6S](#)  
[D38999/20FC8SA L/C](#) [MB12P-1](#) [MB12R-6](#) [7251-2PG-300](#) [7251-2SG-300](#) [7251-4PG-300](#) [7251-4SG-300](#) [7251-5PG-300](#) [7251-5SG-300](#)  
[7251-6SG-300](#) [7251-7PG-300](#) [7251-8PG-300](#) [7271-6SG-300](#) [7282-3PG-300-CH3](#) [73000005663](#) [75-190011-03P](#) [75-190216-08S](#) [75-190218-](#)  
[10P](#) [75-214636-52P](#) [75-474118-10P](#) [75-474211-03P](#) [75-474218-19S](#)