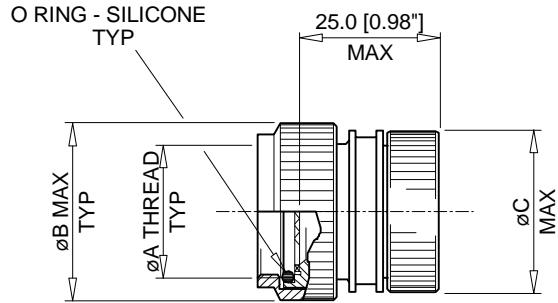


# CUSTOMER DRAWING

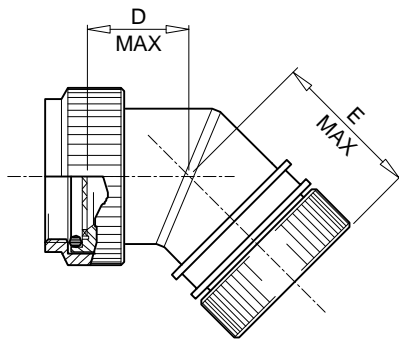
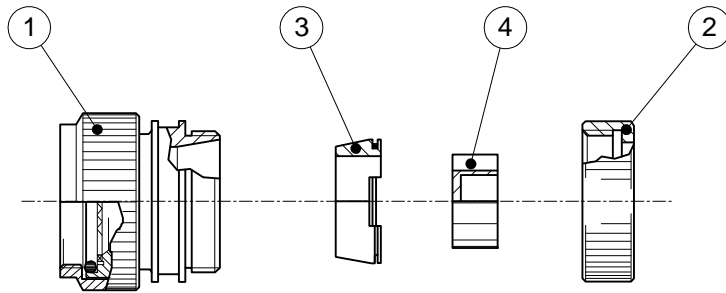
REV:  
E

DATE:  
Sep 24, 2012



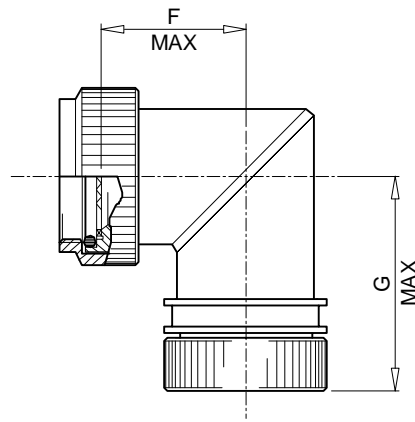
## STRAIGHT ADAPTOR

-00



## 45° ADAPTOR

-45



## 90° ADAPTOR

-90

© 2012 Tyco Electronics Corporation, a TE Connectivity Ltd. Company. All Rights reserved.

|  |                 |   |                              |  |                              |
|--|-----------------|---|------------------------------|--|------------------------------|
|                       |                 | TE Connectivity<br>300 Constitution Drive<br>Menlo Park, CA 94025, USA  |                              | TITLE:<br><b>HEXASHIELD ADAPTOR FOR<br/>                 CODE 40 CONNECTORS,<br/>                 PLAIN CLAMPING NUT</b> |                              |
| UNLESS OTHERWISE SPECIFIED<br>DIMENSIONS ARE IN MILLIMETERS.<br>INCH DIMENSIONS ARE SHOWN IN<br>BRACKETS |                 | TE Connectivity reserves the right to amend this drawing at<br>any time. Users should evaluate the suitability of the<br>product for their application. |                              | DOCUMENT NO.<br><b>HEX40-AY-YY-YY-AYY-1-Y</b>  |                              |
| DRAWN:<br>CRJ  | DATE:<br>MAR 00 | CAGE CODE:<br>06090   | REVISED PER<br>ECO-12-017034 | FILE:<br>hex40_ay_yy_yy_ayy_1_y.doc  | SCALE: NONE<br>SHEET: 1 OF 3 |

# CUSTOMER DRAWING

 REV:  
E

 DATE:  
Sep 24, 2012

## KIT DESCRIPTION

| ITEM | DESCRIPTION          | MATERIAL        |
|------|----------------------|-----------------|
| 1    | BODY ASSEMBLY        | ALUMINIUM ALLOY |
| 2    | CLAMPING NUT - PLAIN | ALUMINIUM ALLOY |
| 3    | CONIC RING           | ALUMINIUM ALLOY |
| 4    | STAR                 | ALUMINIUM ALLOY |

## TABLE OF DIMENSIONS


| Order Number | Shell Size |      | ØA Thread<br>Class 6H | ØB<br>Max       | ØC<br>Max       | D<br>Max        | E<br>Max        | F<br>Max        | G<br>Max        | Ferrule Quantity |      |
|--------------|------------|------|-----------------------|-----------------|-----------------|-----------------|-----------------|-----------------|-----------------|------------------|------|
|              | Mil.       | Com. |                       |                 |                 |                 |                 |                 |                 | Std.             | Opt. |
| 09           | A          | 09   | M12 x 1               | 0.75"<br>[19.0] | 0.69"<br>[17.5] | 0.57"<br>[14.5] | 1.00"<br>[25.5] | 0.71"<br>[18.0] | 1.14"<br>[29.0] | 1                | -    |
| 11           | B          | 11   | M15 x 1               | 0.87"<br>[22.0] | 0.85"<br>[21.5] | 0.59"<br>[15.0] | 1.02"<br>[26.0] | 0.77"<br>[19.6] | 1.20"<br>[30.5] | 2                | -    |
| 13           | C          | 13   | M18 x 1               | 1.00"<br>[25.5] | 0.89"<br>[22.5] | 0.63"<br>[16.0] | 1.04"<br>[26.5] | 0.83"<br>[21.1] | 1.26"<br>[32.0] | 3                | -    |
| 15           | D          | 15   | M22 x 1               | 1.20"<br>[30.5] | 1.00"<br>[25.5] | 0.65"<br>[16.5] | 1.08"<br>[27.5] | 0.89"<br>[22.6] | 1.32"<br>[33.5] | 5                | -    |
| 17           | E          | 17   | M25 x 1               | 1.32"<br>[33.5] | 1.12"<br>[28.5] | 0.67"<br>[17.0] | 1.10"<br>[28.0] | 0.95"<br>[24.1] | 1.38"<br>[35.0] | 6                | 7    |
| 19           | F          | 19   | M28 x 1               | 1.46"<br>[37.0] | 1.24"<br>[31.5] | 0.69"<br>[17.5] | 1.12"<br>[28.5] | 1.01"<br>[25.7] | 1.44"<br>[36.5] | 7                | -    |
| 21           | G          | 21   | M31 x 1               | 1.52"<br>[38.5] | 1.38"<br>[35.0] | 0.73"<br>[18.5] | 1.14"<br>[29.0] | 1.08"<br>[27.4] | 1.52"<br>[38.5] | 9                | 11   |
| 23           | H          | 23   | M34 x 1               | 1.65"<br>[42.0] | 1.50"<br>[38.0] | 0.75"<br>[19.1] | 1.18"<br>[30.0] | 1.14"<br>[29.0] | 1.57"<br>[40.0] | 10               | 13   |
| 25           | J          | 25   | M37 x 1               | 1.83"<br>[46.5] | 1.61"<br>[41.0] | 0.75"<br>[19.1] | 1.22"<br>[31.0] | 1.20"<br>[30.5] | 1.63"<br>[41.5] | 12               | 17   |

## PART NUMBERING

HEX40-AB-00-21-A9-1-DS-U

-CONNECTOR CODE NUMBER: \_\_\_\_\_  
 HEX40 = MIL-C-38999 SERIES III AND IV  
 -MATERIAL CODE: \_\_\_\_\_  
 A = ALUMINIUM ALLOY  
 -PLATING CODE: \_\_\_\_\_  
 B = CADMIUM OLIVE DRAB TO QQ-P416  
 C = ELECTROLESS NICKEL TO MIL-C-26074  
 -BODY STYLE: \_\_\_\_\_  
 00 = STRAIGHT  
 45 = 45°  
 90 = 90°  
 -ORDER NUMBER \_\_\_\_\_  
 -FERRULE QUANTITY CODE \_\_\_\_\_  
 -1 = PLAIN CLAMPING NUT  
 -DS = DRILLED STAR - OPTIONAL - SEE NOTE 2  
 -U = FLUOROSILICONE O-RING - OPTIONAL

© 2012 Tyco Electronics Corporation, a TE Connectivity Ltd. Company. All Rights reserved.

|  |                 |   |                              |  |                              |
|--|-----------------|---|------------------------------|--|------------------------------|
|                       |                 | TE Connectivity<br>300 Constitution Drive<br>Menlo Park, CA 94025, USA  |                              | TITLE:<br><b>HEXASHIELD ADAPTOR FOR<br/>                 CODE 40 CONNECTORS,<br/>                 PLAIN CLAMPING NUT</b> |                              |
| UNLESS OTHERWISE SPECIFIED<br>DIMENSIONS ARE IN MILLIMETERS.<br>INCH DIMENSIONS ARE SHOWN IN<br>BRACKETS |                 | TE Connectivity reserves the right to amend this drawing at<br>any time. Users should evaluate the suitability of the<br>product for their application. |                              | DOCUMENT NO.<br><b>HEX40-AY-YY-YY-AYY-1-Y</b>  |                              |
| DRAWN:<br>CRJ  | DATE:<br>MAR 00 | CAGE CODE:<br>06090   | REVISED PER<br>ECO-12-017034 | FILE:<br>hex40_ay_yy_yy_ayy_1_y.doc  | SCALE: SHEET:<br>NONE 2 OF 3 |

# CUSTOMER DRAWING

REV:  
E

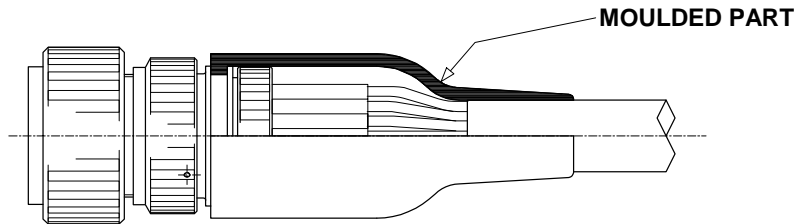
DATE:  
Sep 24, 2012

## APPLICATION

- These adaptors are designed to be mounted on the following connectors:

MIL-C-38999 Series III and IV

- They are qualified to the Raychem specification RB-114, when installed on metallic Mil-Specification circular connectors only.
- They are designed primarily for open wire bundle installation but are also designed to accept Raychem heat shrink moulded parts where strain relief is required – see illustration.



- Use in conjunction with the ferrules HET-A-0XX, which are purchased separately. Refer to HET-A-0XX S.C.D. for relevant selection details.

## INSTALLATION

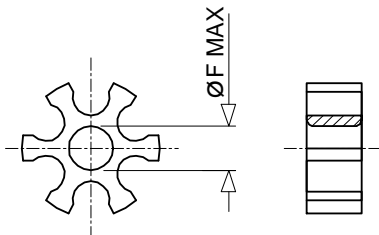
- See Installation Procedure RPIP-696-04.

## PACKAGING

- All components are supplied in a plastic bag.

## NOTES!

1. Item 4 - Star - is **not** supplied with Hexashield Order Number 09.
2. The DS option, illustrated below, is for a Drilled Star that is available on sizes 15 to 25 only. This option is to allow unshielded wires to pass through the assembly.

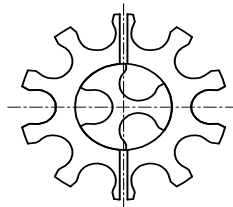


| STAR SIZE | 15             | 17             | 19             | 21              | 23              | 25              |
|-----------|----------------|----------------|----------------|-----------------|-----------------|-----------------|
| ØD MAX    | 0.12"<br>[3.0] | 0.24"<br>[6.0] | 0.35"<br>[9.0] | 0.47"<br>[12.0] | 0.59"<br>[15.0] | 0.71"<br>[18.0] |

3. Where the ferrule quantities required are standard, the item 4 - Star - is also standard.  
If the optional quantity is selected then 2 items 4 will be supplied - one "split" and the other one standard.  
See below for illustration.


EXAMPLE: FERRULE QUANTITY CODE -A13

-A13 = -A10 SPLIT STAR + -A3 STANDARD STAR



4. Assembly is to be permanently marked with Code Identity Number and Part Number.  
(e.g. 06090 HEX40-AB-00-21-A9-1)

© 2012 Tyco Electronics Corporation, a TE Connectivity Ltd. Company. All Rights reserved.

|  |                 |   |                              |  |                              |
|--|-----------------|---|------------------------------|--|------------------------------|
|                       |                 | TE Connectivity<br>300 Constitution Drive<br>Menlo Park, CA 94025, USA  |                              | TITLE:<br><b>HEXASHIELD ADAPTOR FOR<br/>                 CODE 40 CONNECTORS,<br/>                 PLAIN CLAMPING NUT</b> |                              |
| UNLESS OTHERWISE SPECIFIED<br>DIMENSIONS ARE IN MILLIMETERS.<br>INCH DIMENSIONS ARE SHOWN IN<br>BRACKETS |                 | TE Connectivity reserves the right to amend this drawing at<br>any time. Users should evaluate the suitability of the<br>product for their application. |                              | DOCUMENT NO.<br><b>HEX40-AY-YY-YY-AYY-1-Y</b>  |                              |
| DRAWN:<br>CRJ  | DATE:<br>MAR 00 | CAGE CODE:<br>06090   | REVISED PER<br>ECO-12-017034 | FILE:<br>hex40_ay_yy_yy_ayy_1_y.doc  | SCALE: SHEET:<br>NONE 3 OF 3 |

## X-ON Electronics

Largest Supplier of Electrical and Electronic Components

*Click to view similar products for [Standard Circular Connector](#) category:*

*Click to view products by [TE Connectivity](#) manufacturer:*

Other Similar products are found below :

[C015](#) [10F006](#) [001](#) [1](#) [5M2530B10P](#) [600247N007](#) [600259N006](#) [600273N007](#) [600432N009](#) [6280-2PG-519](#) [6280-3PG-311](#) [6280-3SG-311](#)  
[6280-7SG-3DC](#) [6280-7SG-522](#) [6282-5PG-311](#) [6282-6PG-519](#) [6282-8SG-311](#) [6283-11](#) [6283-15](#) [6290](#) [6293](#) [6382-2PG-311](#) [6382-2PG-3DC](#)  
[6382-2SG-321](#) [6382-2SG-3DC](#) [6382-4SG-516](#) [67-03E20-37P](#) [681-PMG](#) [CXC3106A1811S](#) [CXS3102A14S2P](#) [CXS3102A181S](#)  
[CXS3106A14S6S](#) [D38999/20FC8SA](#) [L/C](#) [MB12P-1](#) [MB12R-6](#) [7251-2PG-300](#) [7251-2SG-300](#) [7251-4PG-300](#) [7251-4SG-300](#) [7251-5PG-300](#)  
[7251-5SG-300](#) [7251-6SG-300](#) [7251-7PG-300](#) [7251-8PG-300](#) [7271-6SG-300](#) [7282-3PG-300-CH3](#) [73000005663](#) [75-190011-03P](#) [75-190216-08S](#) [75-190218-10P](#) [75-214636-52P](#) [75-474118-10P](#) [75-474211-03P](#)