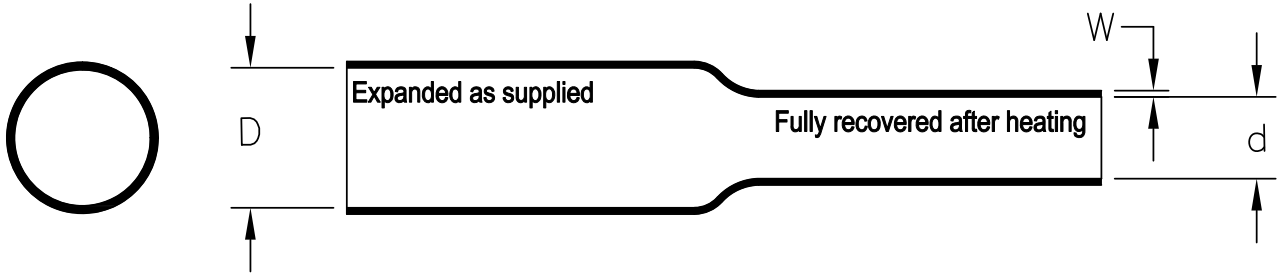


REVISIONS

| P | LTR | DESCRIPTION | DATE | DWN | APVD |
|---|-----|------------------------------|---------|------|------|
| | D | Update to new Drawing format | 9/11/19 | J.B. | T.L. |

RAYCHEM HF Tubing SCD




Dimensions mm (inches)

| Size | As Supplied | | As Recovered | |
|-------|---------------------|---------------------|--------------------|--|
| | Inside Diameter (D) | Inside Diameter (d) | Wall Thickness (W) | |
| | minimum | maximum | nominal | |
| HF-04 | 10.1 (0.400) | 3.8 (0.150) | 1.8 (0.070) | |
| HF-07 | 19.0 (0.750) | 5.6 (0.221) | 1.8 (0.070) | |
| HF-11 | 27.9 (1.100) | 9.5 (0.375) | 2.7 (0.105) | |
| HF-13 | 33.0 (1.300) | 9.5 (0.375) | 2.7 (0.105) | |
| HF-15 | 38.1 (1.500) | 12.7 (0.500) | 3.0 (0.120) | |
| HF-17 | 43.1 (1.700) | 12.7 (0.500) | 3.0 (0.120) | |
| HF-20 | 50.8 (2.000) | 19.1 (0.750) | 3.6 (0.140) | |
| HF-27 | 68.5 (2.700) | 22.9 (0.900) | 3.9 (0.155) | |

Color: Standard Black
Reference Specification 108-120060

THIS DRAWING IS UNPUBLISHED. ALL RIGHTS RESERVED. © COPYRIGHT 2019 TE Connectivity

| | | | | |
|-----------------------------------------------------------------------------------------------------------------------|----------------------------|-------------|------------------------------------------------------------------------------------------------------|------------------------------|
| DIMENSIONS: INCHES | DWN J. Bitter | 11-Sep-2019 | MATERIAL - | FINISH - |
| | CHK T. Licko | - |  TE Connectivity | |
| TOLERANCES UNLESS OTHERWISE SPECIFIED: 0 PLC ± - 1 PLC ± - 2 PLC ± - 3 PLC ± - 4 PLC ± - ANGLES ± - | APVD T. Licko | - | | |
| | PRODUCT SPEC 108-120060 | - | SIZE A4 | CAGE CODE 06090 |
| | APPLICATION SPEC - | - | DRAWING NO C=HF | RESTRICTED TO - |
| | WEIGHT 0 | | CUSTOMER DRAWING | SCALE 1:1 SHEET 1 OF 1 REV D |

X-ON Electronics

Largest Supplier of Electrical and Electronic Components

Click to view similar products for [Heat Shrink Tubing and Sleeves](#) category:

Click to view products by [TE Connectivity](#) manufacturer:

Other Similar products are found below :

[5685710001](#) [CR9960-000](#) [5734012004](#) [607381P039](#) [611112-000](#) [6284592002](#) [CX4711-000](#) [CZ1420-000](#) [D-306-38](#) [770-006S302](#) [770-010Y106W1](#) [770-018S103](#) [770-018S202W1](#) [770-018S205W1](#) [770-020S704W1](#) [770-020S705](#) [MFP-3/64"-Clear](#) [790-3012](#) [MHHT-4-15K2-G-104](#) [8003012003](#) [MIL-LT-1-1/2-4-SP](#) [MIL-LT-1-1/2-9-STK](#) [MIL-LT-1/2-2-STK](#) [MIL-LT-3-0-SP](#) [MIL-LT-3/32-0-SP](#) [MIL-LT-3/32-6-SP](#) [MIL-LT-3/4-4-STK](#) [MIL-LT-3/4-6-SP](#) [839602-000](#) [8423-6](#) [FP301-116-48"-Clear](#) [FP301-12-6"-Clear](#) [FP301-1/4-48"-White-Hdr](#) [FP301-18-48"-Black-Hdr](#) [FP301-1/8-6"-Black](#) [FP301-18-6"-Black-Bulk](#) [FP301-316-48"-Blue-Hdr](#) [912229N002](#) [R280637030](#) [HDCW-5515-1000](#) [HDT-0300-48A-BLACK](#) [HDT-0400-48A-Black](#) [HDT-0800-48A-RED](#) [HDT1100-48A-BLK](#) [HDT1500-48A-BLK](#) [HDT-2000-48A-Black](#) [RHW-70/20-1200/ADH-0](#) [DWP-125-0.450-4-55MM-CS879](#) [156082-000](#) [MT5500-3/8-X-SP](#)