

LOC	DIST	REVISIONS					
		P	LTR	DESCRIPTION	DATE	DWN	APVD
HJ	-		C1	ECR-14-007162 (Packaging information)	13OCT2015	AP	AK
			C	REVISED PER ECO-13-009645	18JUN2013	UKo	AK
			B5	ECR-12-003906, New HF3 43i(S)	29FEB2012	UKo	AK
			B4	New HF3 46E	12JAN2012	UKo	BK

H Swiss made  
 PT Portugal made  
 CZ Czech Republic

Lot no (WWCC) 0007  
 date code (YYWW) 0642

Packaging data code (Box, bag, reels):  
 P(YWWDSL)000  
 Shipping data code:  
 YYWW

P - Product code (9 to HF relay)  
 Y(Y) - Year (last digit for packaging)  
 WW - calendar week (from date code)  
 D - Day of the week (1=Sat,.....and 7=Fri)  
 S - Shift (1=day shift, 2 night shift)  
 L - Production Line  
 C - Weekly sequential number  
 000 - For internal use

Relay-Typ	Mark 1)	Mark 2)	PN
HF3 01	01	3	1462050-1
HF3 01S	01S	3	3-1462050-0
HF3 02	02	4.5	1-1462050-6
HF3 02S	02S	4.5	3-1462050-1
HF3 03	03	5	1462050-2
HF3 03L	03L	5	2-1462050-6
HF3 03S	03S	5	2-1462050-2
HF3 03SR	03SR	5	2-1462050-5
HF3 04	04	6	1-1462050-7
HF3 05	05	9	1462050-3
HF3 05S	05S	9	2-1462050-3
HF3 06	06	12	1462050-4
HF3 06L	06L	12	2-1462050-8
HF3 06S	06S	12	2-1462050-7
HF3 07	07	24	1462050-5

2007

RELEASED FOR PUBLICATION

ALL RIGHTS RESERVED.

© COPYRIGHT 2007

THIS DRAWING IS UNPUBLISHED.

DIMENSIONS: mm	DWN UKo 9193	04APR2007	MATERIAL	-	FINISH	-
	CHK HD 9121	04APR2007	TE Connectivity			
TOLERANCES UNLESS OTHERWISE SPECIFIED: DIN 7168-m	APVD HD 9121	04APR2007				
0 PLC ±-	PRODUCT SPEC	-	NAME			
1 PLC ±-	-	-	HF3-Relay 75Ω			
2 PLC ±-	APPLICATION SPEC	-	Marking			
3 PLC ±-	-	-	SIZE	CAGE CODE	DRAWING NO	RESTRICTED TO
4 PLC ±-	-	-	A4	00779	C- 1462050-1	-
ANGLES ±-	WEIGHT	-	CUSTOMER DRAWING			
	SCALE		5:1	SHEET 1 OF 2		REV C1

LOC	DIST	REVISIONS					
		P	LTR	DESCRIPTION	DATE	DWN	APVD
HJ	-		-	SEE SHEET 1	-	-	-

Relay-Typ	Mark 1)	Mark 2)	PN
HF3 21	21	3	1462050-6
HF3 22	22	4.5	1-1462050-8
HF3 23	23	5	1462050-7
HF3 24	24	6	1-1462050-9
HF3 25	25	9	1462050-8
HF3 26	26	12	1462050-9
HF3 27	27	24	1-1462050-0
HF3 41	41	3	1-1462050-1
HF3 42	42	4.5	2-1462050-0
HF3 43	43	5	1-1462050-2
HF3 43S	43S	5	2-1462050-4
HF3 43I	43I	5	3-1462050-7
HF3 43IS	43IS	5	3-1462050-9
HF3 44	44	6	2-1462050-1
HF3 45	45	9	1-1462050-3
HF3 46	46	12	1-1462050-4
HF3 46E	46E	12	3-1462050-6
HF3 46L	46L	12	2-1462050-9
HF3 47	47	24	1-1462050-5


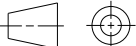
2007

RELEASED FOR PUBLICATION

ALL RIGHTS RESERVED.

© COPYRIGHT 2007

THIS DRAWING IS UNPUBLISHED.

DIMENSIONS: <b>mm</b>	DWN UKo 9193	04APR2007	MATERIAL	-	FINISH	-
	CHK HD 9121	04APR2007	 <b>TE Connectivity</b>			
TOLERANCES UNLESS OTHERWISE SPECIFIED: DIN 7168-m	APVD HD 9121	04APR2007				
0 PLC ±-	PRODUCT SPEC		NAME <b>HF3-Relay 75Ω</b> <b>Marking</b>			
1 PLC ±-	-					
2 PLC ±-	APPLICATION SPEC		SIZE	CAGE CODE	DRAWING NO	RESTRICTED TO
3 PLC ±-	-		<b>A4</b>	00779	<b>C</b> - 1462050-1	-
4 PLC ±-	WEIGHT		-			
ANGLES ±-	-		CUSTOMER DRAWING			
		SCALE		<b>5:1</b>	SHEET	<b>2</b> OF <b>2</b>
				REV		<b>C1</b>

## X-ON Electronics

Largest Supplier of Electrical and Electronic Components

*Click to view similar products for [High Frequency / RF Relays](#) category:*

*Click to view products by [TE Connectivity](#) manufacturer:*

Other Similar products are found below :

[MW6-12A](#) [ER136CZM9-5B](#) [JMSCD-12XP](#) [ARA200A4HM01](#) [3SBH1020A2](#) [IM07CGR](#) [D3210](#) [ARE13A4HZB01](#) [ER116C-26A](#) [31 T10](#)  
[26-200ZA](#) [36 AT5](#) [20-200ZA](#) [36 T5](#) [19-200ZA](#) [36 T5](#) [24-200ZA](#) [27 T5](#) [26-200ZA](#) [27 T5](#) [44-000ZA](#) [R591362640](#) [R595363125](#)  
[R574802625](#) [ARS15Y03](#) [R595867120](#) [HF3 02](#) [R574383400](#) [R574493685](#) [R595863115](#) [R577832100](#) [R594473627](#) [732TN-26](#) [ARS34Y4H](#)  
[JMGAP-26M](#) [JMSCDD-18XP](#) [1462051-5](#) [1462050-1](#) [1462050-2](#) [ER432DM4-26BSQ](#) [G6K-2F-RF-S-DC5](#) [ARE10A4H](#) [ARE1024](#) [ARE1012](#)  
[ARS1012](#) [ARS14Y4H](#) [ARJ22A12](#) [ARS104H](#) [ER136CM9-26A/Q](#) [G6K-2F-RF-DC3](#) [712-5](#) [G6K-2F-RF-S-DC3](#) [G6K-2F-RF-S-DC4.5](#) [G6K-](#)  
[2F-RF-S-DC12](#) [ER114DM4-26A](#) [G6KU-2F-RF DC4.5](#)