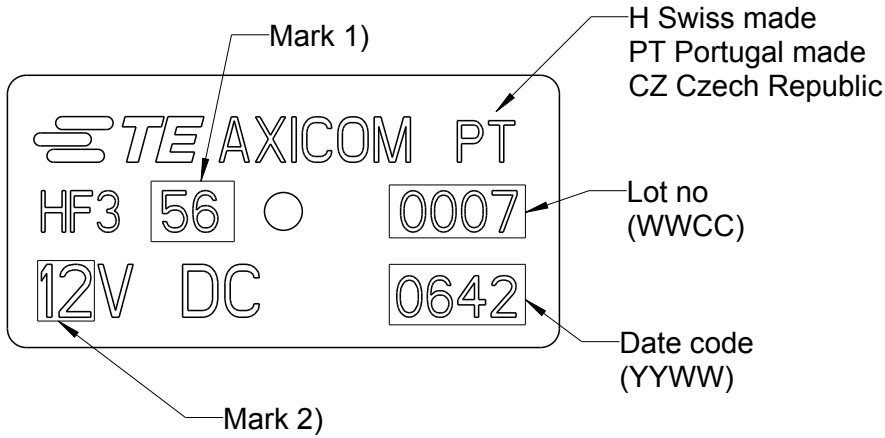


LOC	DIST	REVISIONS					
		P	LTR	DESCRIPTION	DATE	DWN	APVD
HJ	-		C1	ECR-14-007162 (Packaging information)	13OCT2015	AP	AK
			C	REVISED PER ECO-13-009645	18JUN2013	UKo	AK
			B3	New HF3 91R, HF3 93R, HF3 96R	12JAN2012	UKo	BK
			B2	Printing, new HF3 53RS	09JUL2010	UKo	HD



Packaging data code (Box, bag, reels):  
 P(YWWDSL)000  
 Shipping data code:  
 YYWW

P - Product code (9 to HF relay)  
 Y(Y) - Year (last digit for packaging)  
 WW - calendar week (from date code)  
 D - Day of the week (1=Sat,.....and 7=Fri)  
 S - Shift (1=day shift, 2 night shift)  
 L - Production Line  
 C - Weekly sequential number  
 000 - For internal use

Pos.	Relay-Typ	Mark 1)	Mark 2)	PN
1	HF3 51	51	3	1462051-1
2	HF3 51S	51S	3	3-1462051-0
3	HF3 52	52	4.5	1-1462051-6
4	HF3 52S	52S	4.5	2-1462051-8
5	HF3 53	53	5	1462051-2
6	HF3 53RS	53RS	5	3-1462051-3
7	HF3 53S	53S	5	2-1462051-3
8	HF3 54	54	6	1-1462051-7
9	HF3 55	55	9	1462051-3
10	HF3 56	56	12	1462051-4
11	HF3 56S	56S	12	3-1462051-1
12	HF3 57	57	24	1462051-5
13	HF3 57S	57S	24	2-1462051-2
14	HF3 71	71	3	1462051-6
15	HF3 72	72	4.5	1-1462051-8
16	HF3 73	73	5	1462051-7
17	HF3 73S	73S	5	2-1462051-7
18	HF3 74	74	6	1-1462051-9

2007

RELEASED FOR PUBLICATION

ALL RIGHTS RESERVED.

THIS DRAWING IS UNPUBLISHED.

© COPYRIGHT 2007

DIMENSIONS: mm	DWN UKo 9193	04APR2007	MATERIAL	-	FINISH	-
	CHK HD 9121	04APR2007	TE Connectivity			
TOLERANCES UNLESS OTHERWISE SPECIFIED: DIN 7168-m	APVD HD 9121	04APR2007				
0 PLC ±-	PRODUCT SPEC	-	HF3-Relay 50Ω			
1 PLC ±-	APPLICATION SPEC	-	Marking			
2 PLC ±-	WEIGHT	-	SIZE	CAGE CODE	DRAWING NO	RESTRICTED TO
3 PLC ±-			A4	00779	C- 1462051-1	-
4 PLC ±-			CUSTOMER DRAWING			
ANGLES ±-			SCALE	SHEET	OF	REV
			5:1	1	2	C1

LOC <b>HJ</b>	DIST <b>-</b>	REVISIONS					
		P	LTR	DESCRIPTION	DATE	DWN	APVD
		-		SEE SHEET 1	-	-	-

Pos.	Relay-Typ	Mark 1)	Mark 2)	PN
19	HF3 75	75	9	1462051-8
20	HF3 76	76	12	1462051-9
21	HF3 77	77	24	1-1462051-0
22	HF3 91	91	3	1-1462051-1
23	HF3 91S	91S	3	3-1462051-2
24	HF3 91R	91R	3	3-1462051-7
25	HF3 92	92	4.5	2-1462051-0
26	HF3 92S	92S	4.5	2-1462051-5
27	HF3 93	93	5	1-1462051-2
28	HF3 93S	93S	5	2-1462051-4
29	HF3 93R	93R	5	3-1462051-5
30	HF3 94	94	6	2-1462051-1
31	HF3 95	95	9	1-1462051-3
32	HF3 96	96	12	1-1462051-4
33	HF3 96S	96S	12	2-1462051-6
34	HF3 96R	96R	12	3-1462051-6
35	HF3 97	97	24	1-1462051-5


2007

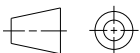
RELEASED FOR PUBLICATION

THIS DRAWING IS UNPUBLISHED.

ALL RIGHTS RESERVED.

© COPYRIGHT2007

DIMENSIONS: <b>mm</b>	DWN UKo 9193	04APR2007	MATERIAL	-	FINISH	-
	CHK HD 9121	04APR2007	 <b>TE Connectivity</b>			
TOLERANCES UNLESS OTHERWISE SPECIFIED: DIN 7168-m	APVD HD 9121	04APR2007				
0 PLC ±-	PRODUCT SPEC	-				
1 PLC ±-	APPLICATION SPEC	-	SIZE	CAGE CODE	DRAWING NO	RESTRICTED TO
2 PLC ±-			A4	00779	© = 1462051-1	-
3 PLC ±-	WEIGHT	-	CUSTOMER DRAWING			
4 PLC ±-			SCALE	5:1	SHEET	2 OF 2
ANGLES ±-			REV C1			



## X-ON Electronics

Largest Supplier of Electrical and Electronic Components

*Click to view similar products for [High Frequency / RF Relays](#) category:*

*Click to view products by [TE Connectivity](#) manufacturer:*

Other Similar products are found below :

[134M4-26](#) [134YZM4-12](#) [136CM9-5](#) [ER136CZM9-5B](#) [ER412DYM-12B](#) [ARA200A4HM01](#) [3SBH1020A2](#) [400-192-10](#) [412TM-18](#)  
[ARN12A12](#) [422DM-26](#) [411T-12](#) [LB363-100-5](#) [D3210](#) [ARN10A12](#) [ER116C-26A](#) [ER114ZM4-5A/SQ](#) [ER114ZM4-12A/SQ](#) [ER412-26B/Q](#)  
[ER134DYZ-12A](#) [36 AT5](#) [25-200ZA](#) [36 T5](#) [48-000ZA](#) [27 T5](#) [24-200ZA](#) [27 T5](#) [26-200ZA](#) [27 T5](#) [28-200ZA](#) [ER411DM4-12A/SQ](#)  
[732-5/Q](#) [R591362640](#) [R591723400](#) [R595867120](#) [HF3 02](#) [R594873417](#) [R595863115](#) [IM43TS](#) [IMB03CTS](#) [IM05CGR](#) [IM02CGR](#) [IM21TS](#)  
[732TN-26](#) [1-1462038-1](#) [IMB06CTS](#) [1462041-3](#) [1462051-5](#) [1462050-1](#) [1462050-2](#) [G6K-2F-RF-S-DC5](#) [ARE10A4H](#) [ARE1024](#) [ARS1012](#)  
[ARS1024](#)