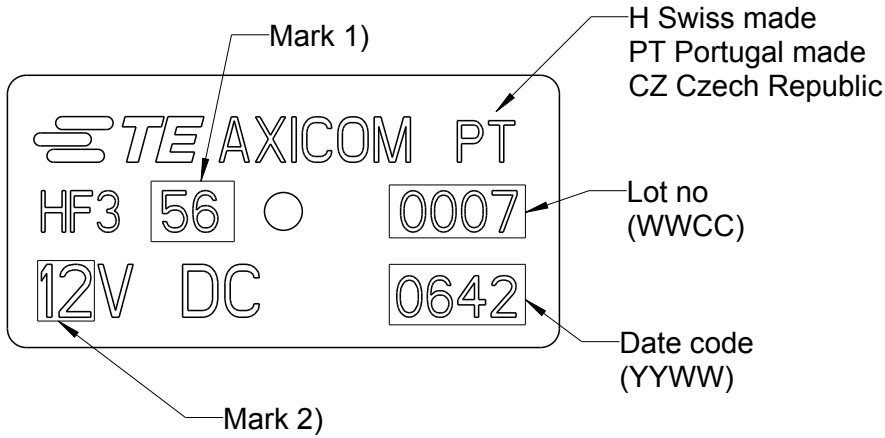


| LOC | DIST | REVISIONS | | | | | |
|-----|------|-----------|-----|---------------------------------------|-----------|-----|------|
| | | P | LTR | DESCRIPTION | DATE | DWN | APVD |
| HJ | - | | C1 | ECR-14-007162 (Packaging information) | 13OCT2015 | AP | AK |
| | | | C | REVISED PER ECO-13-009645 | 18JUN2013 | UKo | AK |
| | | | B3 | New HF3 91R, HF3 93R, HF3 96R | 12JAN2012 | UKo | BK |
| | | | B2 | Printing, new HF3 53RS | 09JUL2010 | UKo | HD |



Packaging data code (Box, bag, reels):
 P(YWWDSL)000
 Shipping data code:
 YYWW

P - Product code (9 to HF relay)
 Y(Y) - Year (last digit for packaging)
 WW - calendar week (from date code)
 D - Day of the week (1=Sat,.....and 7=Fri)
 S - Shift (1=day shift, 2 night shift)
 L - Production Line
 C - Weekly sequential number
 000 - For internal use

| Pos. | Relay-Typ | Mark 1) | Mark 2) | PN |
|------|-----------|---------|---------|-------------|
| 1 | HF3 51 | 51 | 3 | 1462051-1 |
| 2 | HF3 51S | 51S | 3 | 3-1462051-0 |
| 3 | HF3 52 | 52 | 4.5 | 1-1462051-6 |
| 4 | HF3 52S | 52S | 4.5 | 2-1462051-8 |
| 5 | HF3 53 | 53 | 5 | 1462051-2 |
| 6 | HF3 53RS | 53RS | 5 | 3-1462051-3 |
| 7 | HF3 53S | 53S | 5 | 2-1462051-3 |
| 8 | HF3 54 | 54 | 6 | 1-1462051-7 |
| 9 | HF3 55 | 55 | 9 | 1462051-3 |
| 10 | HF3 56 | 56 | 12 | 1462051-4 |
| 11 | HF3 56S | 56S | 12 | 3-1462051-1 |
| 12 | HF3 57 | 57 | 24 | 1462051-5 |
| 13 | HF3 57S | 57S | 24 | 2-1462051-2 |
| 14 | HF3 71 | 71 | 3 | 1462051-6 |
| 15 | HF3 72 | 72 | 4.5 | 1-1462051-8 |
| 16 | HF3 73 | 73 | 5 | 1462051-7 |
| 17 | HF3 73S | 73S | 5 | 2-1462051-7 |
| 18 | HF3 74 | 74 | 6 | 1-1462051-9 |

2007

RELEASED FOR PUBLICATION

ALL RIGHTS RESERVED.

THIS DRAWING IS UNPUBLISHED.

© COPYRIGHT 2007

| | | | | | | |
|--|------------------|-----------|------------------|-----------|--------------|---------------|
| DIMENSIONS: mm | DWN UKo 9193 | 04APR2007 | MATERIAL | - | FINISH | - |
| | CHK HD 9121 | 04APR2007 | TE Connectivity | | | |
| TOLERANCES UNLESS OTHERWISE SPECIFIED: DIN 7168-m | APVD HD 9121 | 04APR2007 | | | | |
| 0 PLC ±- | PRODUCT SPEC | - | NAME | | | HF3-Relay 50Ω |
| 1 PLC ±- | - | - | Marking | | | |
| 2 PLC ±- | APPLICATION SPEC | - | SIZE | CAGE CODE | DRAWING NO | RESTRICTED TO |
| 3 PLC ±- | - | - | A4 | 00779 | C- 1462051-1 | - |
| 4 PLC ±- | WEIGHT | - | CUSTOMER DRAWING | | | |
| ANGLES ±- | | | SCALE | 5:1 | SHEET | 1 OF 2 |
| | | | | REV | C1 | |

| | | | | | | | |
|------------------|------------------|-----------|-----|-------------|------|-----|------|
| LOC HJ | DIST - | REVISIONS | | | | | |
| | | P | LTR | DESCRIPTION | DATE | DWN | APVD |
| | | - | | SEE SHEET 1 | - | - | - |
| | | | | | | | |
| | | | | | | | |

2007


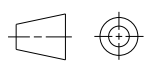
RELEASED FOR PUBLICATION

ALL RIGHTS RESERVED.

© COPYRIGHT 2007

THIS DRAWING IS UNPUBLISHED.

| Pos. | Relay-Typ | Mark 1) | Mark 2) | PN |
|------|-----------|---------|---------|-------------|
| 19 | HF3 75 | 75 | 9 | 1462051-8 |
| 20 | HF3 76 | 76 | 12 | 1462051-9 |
| 21 | HF3 77 | 77 | 24 | 1-1462051-0 |
| 22 | HF3 91 | 91 | 3 | 1-1462051-1 |
| 23 | HF3 91S | 91S | 3 | 3-1462051-2 |
| 24 | HF3 91R | 91R | 3 | 3-1462051-7 |
| 25 | HF3 92 | 92 | 4.5 | 2-1462051-0 |
| 26 | HF3 92S | 92S | 4.5 | 2-1462051-5 |
| 27 | HF3 93 | 93 | 5 | 1-1462051-2 |
| 28 | HF3 93S | 93S | 5 | 2-1462051-4 |
| 29 | HF3 93R | 93R | 5 | 3-1462051-5 |
| 30 | HF3 94 | 94 | 6 | 2-1462051-1 |
| 31 | HF3 95 | 95 | 9 | 1-1462051-3 |
| 32 | HF3 96 | 96 | 12 | 1-1462051-4 |
| 33 | HF3 96S | 96S | 12 | 2-1462051-6 |
| 34 | HF3 96R | 96R | 12 | 3-1462051-6 |
| 35 | HF3 97 | 97 | 24 | 1-1462051-5 |
| | | | | |
| | | | | |
| | | | | |
| | | | | |
| | | | | |
| | | | | |
| | | | | |
| | | | | |
| | | | | |
| | | | | |
| | | | | |
| | | | | |
| | | | | |
| | | | | |
| | | | | |
| | | | | |
| | | | | |
| | | | | |
| | | | | |
| | | | | |
| | | | | |

| | | | | | | |
|--|------------------|-----------|--|------------|---------------|------------------------------------|
| DIMENSIONS: mm | DWN UKo 9193 | 04APR2007 | MATERIAL | - | FINISH | - |
| | CHK HD 9121 | 04APR2007 |  TE Connectivity | | | |
| TOLERANCES UNLESS OTHERWISE SPECIFIED: DIN 7168-m | APVD HD 9121 | 04APR2007 | | | | |
| 0 PLC ±- 1 PLC ±- 2 PLC ±- 3 PLC ±- 4 PLC ±- ANGLES ±- | PRODUCT SPEC | - | RESTRICTED TO | | | |
|  | APPLICATION SPEC | - | SIZE | CAGE CODE | DRAWING NO | |
| | WEIGHT | - | A4 | 00779 | © = 1462051-1 | - |
| CUSTOMER DRAWING | | | SCALE | 5:1 | SHEET | 2 OF 2 REV C1 |

X-ON Electronics

Largest Supplier of Electrical and Electronic Components

Click to view similar products for [High Frequency / RF Relays](#) category:

Click to view products by [TE Connectivity](#) manufacturer:

Other Similar products are found below :

[134M4-26](#) [134YZM4-12](#) [136CM9-5](#) [ER136CZM9-5B](#) [ER412DYM-12B](#) [ARA200A4HM01](#) [3SBH1020A2](#) [400-192-10](#) [412TM-18](#)
[ARN12A12](#) [422DM-26](#) [411T-12](#) [LB363-100-5](#) [D3210](#) [ARN10A12](#) [ER116C-26A](#) [ER114ZM4-12A/SQ](#) [ER412-26B/Q](#) [ER134DYZ-12A](#) [36](#)
[AT5](#) [25-200ZA](#) [36 T5](#) [48-000ZA](#) [27 T5](#) [24-200ZA](#) [27 T5](#) [26-200ZA](#) [27 T5](#) [28-200ZA](#) [ER411DM4-12A/SQ](#) [732-5/Q](#)
[R591362640](#) [R591723400](#) [R595867120](#) [HF3 02](#) [R594873417](#) [R595863115](#) [IM43TS](#) [IMB03CTS](#) [IM05CGR](#) [IM02CGR](#) [IM21TS](#) [732TN-26](#)
[1-1462038-1](#) [IMB06CTS](#) [1462041-3](#) [1462051-5](#) [1462050-1](#) [1462050-2](#) [G6K-2F-RF-S-DC5](#) [ARE10A4H](#) [ARE1024](#) [ARS1012](#) [ARS1024](#)
[ARJ22A12](#)