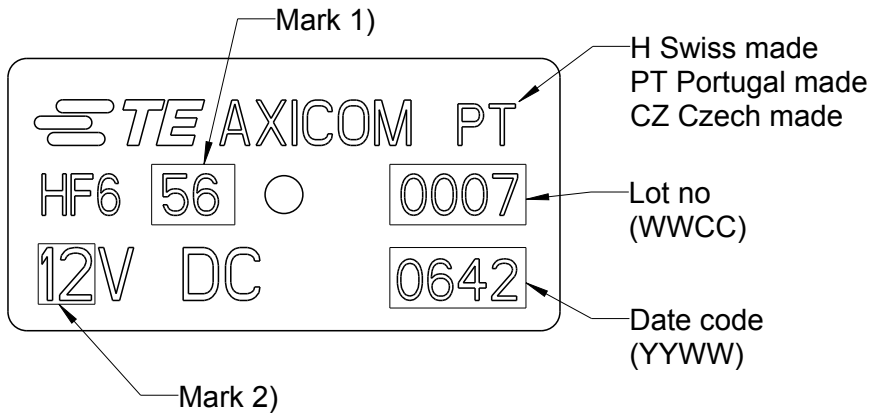


LOC	DIST	REVISIONS					
HJ	-	P	LTR	DESCRIPTION	DATE	DWN	APVD
			C1	ECR-14-007162 (Packing information)	13OCT2015	AP	AK
			C	REVISED PER ECO-13-009645	18JUN2013	UKo	AK
			B2	New HF6 93R	12JAN2012	UKo	BK
			B1	Printing	09JUL2010	UKo	HD



Packaging data code (Box, bag, reels):  
 P(YWWDSL)000  
 Shipping data code:  
 YYWWDD

P - Product code (9 to HF relay)  
 Y(Y) - Year (last digit for packaging)  
 WW - calendar week (from date code)  
 D - Day of the week (1=Sat,.....and 7=Fri)  
 S - Shift (1=day shift, 2 night shift)  
 L - Production Line  
 C - Weekly sequential number  
 000 - For internal use

Pos.	Relay-Typ	Mark 1)	Mark 2)	PN
1	HF6 51	51	3	1462052-1
2	HF6 52	52	4.5	1462052-2
3	HF6 53	53	5	1462052-3
4	HF6 54	54	6	1462052-4
5	HF6 55	55	9	1462052-5
6	HF6 56	56	12	1462052-6
7	HF6 57	57	24	1462052-7
8	HF6 71	71	3	1462052-8
9	HF6 72	72	4.5	1462052-9
10	HF6 73	73	5	1-1462052-0
11	HF6 74	74	6	1-1462052-1
12	HF6 75	75	9	1-1462052-2
13	HF6 76	76	12	1-1462052-3
14	HF6 77	77	24	1-1462052-4
15	HF6 91	91	3	1-1462052-5


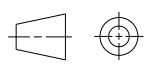
2007

RELEASED FOR PUBLICATION

ALL RIGHTS RESERVED.

© COPYRIGHT 2007

THIS DRAWING IS UNPUBLISHED.

DIMENSIONS: mm	DWN UKo 9193	04APR2007	MATERIAL	-	FINISH	-
	CHK HD 9121	04APR2007	 TE Connectivity			
TOLERANCES UNLESS OTHERWISE SPECIFIED: DIN 7168-m	APVD HD 9121	04APR2007				
0 PLC ±-	PRODUCT SPEC	NAME				HF6-Relay 50Ω
1 PLC ±-	-	APPLICATION SPEC				Marking
2 PLC ±-	APVD	SIZE	CAGE CODE	DRAWING NO	RESTRICTED TO	
3 PLC ±-	-	A4	00779	C- 1462052-1	-	
4 PLC ±-	WEIGHT	CUSTOMER DRAWING				
ANGLES ±-	-	SCALE	SHEET	OF	REV	
	-	5:1	1	2	C1	



## X-ON Electronics

Largest Supplier of Electrical and Electronic Components

*Click to view similar products for [High Frequency / RF Relays](#) category:*

*Click to view products by [TE Connectivity](#) manufacturer:*

Other Similar products are found below :

[134M4-26](#) [134YZM4-12](#) [136CM9-5](#) [ER136CZM9-5B](#) [ER412DYM-12B](#) [ARA200A4HM01](#) [3SBH1020A2](#) [400-192-10](#) [412TM-18](#)  
[ARN12A12](#) [422DM-26](#) [411T-12](#) [LB363-100-5](#) [D3210](#) [ARN10A12](#) [ER116C-26A](#) [ER114ZM4-12A/SQ](#) [ER412-26B/Q](#) [ER134DYZ-12A](#) [36](#)  
[AT5](#) [25-200ZA](#) [36 T5](#) [48-000ZA](#) [27 T5](#) [24-200ZA](#) [27 T5](#) [26-200ZA](#) [27 T5](#) [28-200ZA](#) [ER411DM4-12A/SQ](#) [732-5/Q](#)  
[R591362640](#) [R591723400](#) [SGRF100-12](#) [R595867120](#) [HF3 02](#) [R594873417](#) [R595863115](#) [IM43TS](#) [IMB03CTS](#) [IM05CGR](#) [IM02CGR](#)  
[IM21TS](#) [732TN-26](#) [IMB06CTS](#) [1462041-3](#) [1462051-5](#) [1462050-1](#) [1462050-2](#) [G6K-2F-RF-S-DC5](#) [ARE10A4H](#) [ARE1024](#) [ARS1012](#)  
[ARS1024](#) [ARJ22A12](#)