



CII

TE Internal #: 3-1617028-8

Half-Size Relays, Half-Size Relay Contact Arrangement 2 Form C,
DPDT, 2 C/O, 26.5VDC Half-Size Relay Input Voltage[View on TE.com >](#)

Relays, Contactors & Switches > Relays > Mil-Aero Relays > Half-Size Relays

Half-Size Relay Contact Arrangement: **2 Form C, DPDT, 2 C/O**Half-Size Relay Input Voltage: **26.5 VDC**Half-Size Relay Contact Current Rating: **2 A**Half-Size Relay Coil Voltage Rating: **26.5 VDC**Half-Size Relay Coil Resistance: **700 Ω**

Features

Product Type Features

| | |
|----------------|-------------------------------------|
| Enclosure Type | Hermetically Sealed |
| Relay Type | Military/Aerospace High Performance |
| Coil Latching | Without |
| Product Type | Relay |
| MOSFET Driver | Without |

Configuration Features

| | |
|-------------------|---------|
| Transistor Driver | Without |
|-------------------|---------|

Electrical Characteristics

| | |
|-------------------------------------|---------------------------|
| Coil Magnetic System | Non-Polarized, Monostable |
| Actuating System | DC |
| Vibration | 30G's, 10 – 3000Hz |
| Shock | 100G's, 6ms |
| Coil Suppression Diode | Without |
| Coil Power Measurement | Milliwatts |
| Coil Polarity Protection Diode | Without |
| Half-Size Relay Input Voltage | 26.5 VDC |
| Half-Size Relay Coil Voltage Rating | 26.5 VDC |
| Half-Size Relay Coil Resistance | 700 Ω |



| | |
|--|---------|
| Half-Size Relay Coil Power Rating (DC) | 1003 mW |
|--|---------|

| | |
|---|--------|
| Half-Size Relay Contact Switching Voltage (Max) | 28 VDC |
|---|--------|

Contact Features

| | |
|-------------------------------------|-----------------------|
| Half-Size Relay Contact Arrangement | 2 Form C, DPDT, 2 C/O |
|-------------------------------------|-----------------------|

| | |
|--|-----|
| Half-Size Relay Contact Current Rating | 2 A |
|--|-----|

Termination Features

| | |
|------------------|-----------------------|
| Termination Type | Solder Hook Terminals |
|------------------|-----------------------|

Mechanical Attachment

| | |
|-------------------------------|---------------|
| Half-Size Relay Mounting Type | Chassis Mount |
|-------------------------------|---------------|

Usage Conditions

| | |
|-----------------------------|--------------|
| Operating Temperature Range | -65 – 125 °C |
|-----------------------------|--------------|

Product Compliance

[For compliance documentation, visit the product page on TE.com>](#)

| | |
|------------------------------|---------------|
| EU RoHS Directive 2011/65/EU | Not Compliant |
|------------------------------|---------------|

| | |
|-----------------------------|---------------|
| EU ELV Directive 2000/53/EC | Not Compliant |
|-----------------------------|---------------|

| | |
|---|--------------------------------------|
| China RoHS 2 Directive MIIT Order No 32, 2016 | Restricted Materials Above Threshold |
|---|--------------------------------------|

| | |
|--|---|
| EU REACH Regulation (EC) No. 1907/2006 | Current ECHA Candidate List: JUN 2020 (209) Candidate List Declared Against: JUL 2019 (201) Does not contain REACH SVHC |
|--|---|

| | |
|-----------------|---|
| Halogen Content | Low Halogen - Br, Cl, F, I < 900 ppm per homogenous material. Also BFR/CFR/PVC Free |
|-----------------|---|

| | |
|---------------------------|-------------------------------|
| Solder Process Capability | Not lead free process capable |
|---------------------------|-------------------------------|

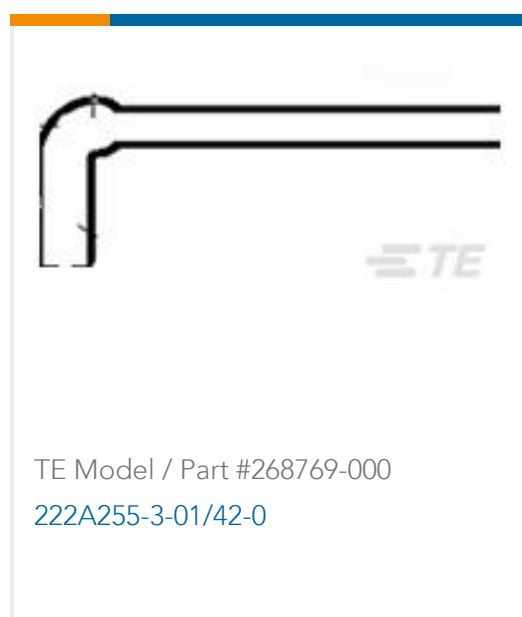
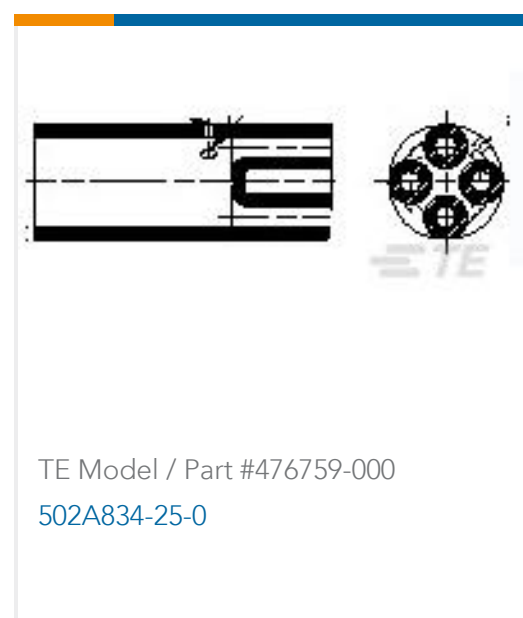
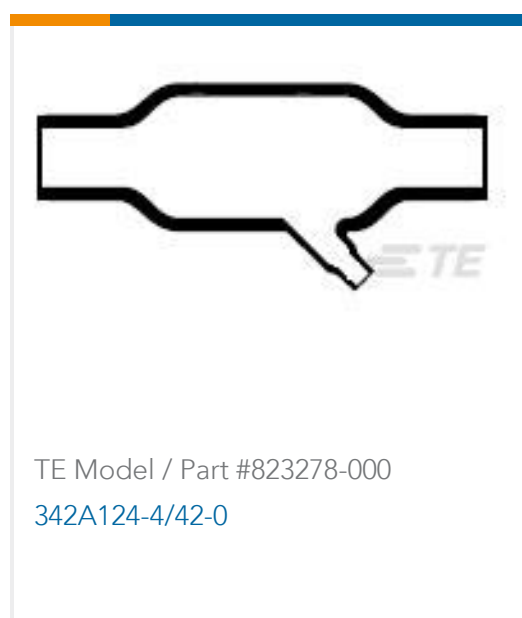
Product Compliance Disclaimer

This information is provided based on reasonable inquiry of our suppliers and represents our current actual knowledge based on the information they provided. This information is subject to change. The part numbers that TE has identified as EU RoHS compliant have a maximum concentration of 0.1% by weight in homogenous materials for lead, hexavalent chromium, mercury, PBB, PBDE, DBP, BBP, DEHP, DIBP, and 0.01% for cadmium, or qualify for an exemption to these limits as defined in the Annexes of Directive 2011/65/EU (RoHS2). Finished electrical and electronic equipment products will be CE marked as required by Directive 2011/65/EU. Components may not be CE marked. Additionally, the part numbers that TE has identified as EU ELV compliant have a maximum concentration of 0.1% by weight in homogenous materials for lead, hexavalent chromium, and mercury, and 0.01% for cadmium, or qualify for an exemption to these limits as defined in the Annexes of Directive 2000/53/EC (ELV). Regarding the REACH Regulation, the information TE provides on SVHC in articles for this part number is based on the latest European Chemicals Agency (ECHA) 'Guidance on requirements for substances in articles' posted at this URL: <https://echa.europa.eu/guidance-documents/guidance-on-reach>

Compatible Parts



Customers Also Bought



Documents

Product Drawings

[HFW1106K13M = M39016/6-228M](#)

English

Datasheets & Catalog Pages

[5-1773450-5_sec1_HFW](#)

English

3-1617028-8

Half-Size Relays, Half-Size Relay Contact Arrangement 2 Form C, DPDT, 2 C/O, 26.5
VDC Half-Size Relay Input Voltage



X-ON Electronics

Largest Supplier of Electrical and Electronic Components

Click to view similar products for [Low Signal Relays - PCB category](#):

Click to view products by [TE Connectivity manufacturer](#):

Other Similar products are found below :

[LZN4-US-DC12](#) [LZNQ4-US-DC24](#) [LZNQ4-US-DC48](#) [6-1393813-4](#) [6-1462039-0](#) [6-1617347-5](#) [6-1617353-3](#) [6-1617529-6](#) [M39016/20-054M](#) [M39016/27-030M](#) [67RPCX-3](#) [MAHC-5494](#) [D3493L](#) [7-1393809-0](#) [7-1393813-3](#) [741B8](#) [7556072001](#) [MF-11AM-24](#) [MF1201N12](#) [MF-17A-24](#) [FBR244D012/02CP](#) [FBR244D024/02CS](#) [80.010.4522.1](#) [FL-4036](#) [FLH-11D-6](#) [831A7](#) [MMS124](#) [FTR-B4GA006Z](#) [FW1102S06](#) [FW1201S39](#) [FW1210S02](#) [FW1521S01](#) [FW5A1201S14](#) [9-1393813-6](#) [9-1617582-5](#) [G6AK-2-H-DC5](#) [G6E-184P-ST-US-DC48](#) [G6G234CDC24](#) [A07A939BZ1-0388](#) [A150-0005](#) [PZ-2A2420](#) [HB1-DC6V](#) [HB1-DC9V](#) [R10-14A10-240](#) [R10-14D10-12](#) [R10-5A10-120F](#) [R10-E1L8-S200](#) [R10-E2468-1](#) [R10-E4Z2-V700](#) [R10-T1L2N-115V](#)