

TE Internal #: F37539-000

Standard Labels, Industrial Label, Die-Cut Label Style, High Tack Acrylic Adhesive, UL Listed Yes, Label Width 69.9 mm [2.75 in]

[View on TE.com >](#)



Identification & Labeling > Labels > Standard Labels > HM HIGH TACK METALIZED POLYESTER LABELS



Label Type: **Industrial Label**

Label Style: **Die-Cut**

Label Adhesive Type: **High Tack Acrylic Adhesive**

UL Listed: **Yes**

Label Width: **69.9 mm [2.75 in]**

[All HM HIGH TACK METALIZED POLYESTER LABELS \(36\)](#)

Features

Product Type Features

Label Type	Industrial Label
------------	------------------

Body Features

Label Color	Metalized Silver
-------------	------------------

Usage Conditions

Operating Temperature Range	-40 – 150 °C[-40 – 302 °F]
-----------------------------	----------------------------

Printer/Label Features

Number of Labels Across	1
Recommended Printer Ribbon	See Printer Ribbon Matrix
Label Style	Die-Cut
Label Width	69.9 mm[2.75 in]
Label Height	19.1 mm[.75 in]
Label Material	Polyester
Label Thickness	97 Micron

Industry Standards

UL Listed	Yes
-----------	-----

Packaging Features

Packaging Quantity	5000
--------------------	------



Packaging Method	Roll
Other	
Label Adhesive Type	High Tack Acrylic Adhesive

Product Compliance

[For compliance documentation, visit the product page on TE.com>](#)

EU RoHS Directive 2011/65/EU	Compliant
EU ELV Directive 2000/53/EC	Compliant
China RoHS 2 Directive MIIT Order No 32, 2016	No Restricted Materials Above Threshold
EU REACH Regulation (EC) No. 1907/2006	Current ECHA Candidate List: JAN 2021 (211) Candidate List Declared Against: JAN 2021 (211) Does not contain REACH SVHC
Halogen Content	Low Halogen - Br, Cl, F, I < 900 ppm per homogenous material. Also BFR/CFR/PVC Free
Solder Process Capability	Not applicable for solder process capability

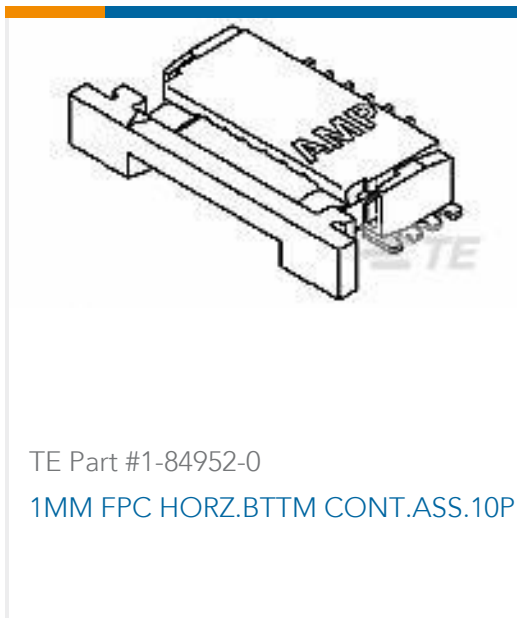
Product Compliance Disclaimer

This information is provided based on reasonable inquiry of our suppliers and represents our current actual knowledge based on the information they provided. This information is subject to change. The part numbers that TE has identified as EU RoHS compliant have a maximum concentration of 0.1% by weight in homogenous materials for lead, hexavalent chromium, mercury, PBB, PBDE, DBP, BBP, DEHP, DIBP, and 0.01% for cadmium, or qualify for an exemption to these limits as defined in the Annexes of Directive 2011/65/EU (RoHS2). Finished electrical and electronic equipment products will be CE marked as required by Directive 2011/65/EU. Components may not be CE marked. Additionally, the part numbers that TE has identified as EU ELV compliant have a maximum concentration of 0.1% by weight in homogenous materials for lead, hexavalent chromium, and mercury, and 0.01% for cadmium, or qualify for an exemption to these limits as defined in the Annexes of Directive 2000/53/EC (ELV). Regarding the REACH Regulation, the information TE provides on SVHC in articles for this part number is based on the latest European Chemicals Agency (ECHA) 'Guidance on requirements for substances in articles' posted at this URL: <https://echa.europa.eu/guidance-documents/guidance-on-reach>

Compatible Parts

 <p>TE Part # 1-2186500-1 T3212-PRINTER</p>	 <p>TE Part # 1-2186502-1 T3224-PRINTER</p>	 <p>TE Part # 1-2186501-1 T3212-SWARE-PRINTER</p>	 <p>TE Part # 1-2186503-1 T3224-SWARE-PRINTER</p>
--	--	--	--

Customers Also Bought



Documents

Product Drawings

[HM-699191-5-8A](#)

English

Datasheets & Catalog Pages

[IDENTIFICATION SELECTION GUIDE](#)

English

[HM High Tack Metalized Polyester labels](#)

English

X-ON Electronics

Largest Supplier of Electrical and Electronic Components

Click to view similar products for [Labels and Industrial Warning Signs](#) category:

Click to view products by [TE Connectivity](#) manufacturer:

Other Similar products are found below :

[ESSW30-025](#) [FTP-020P0704](#) [QC101](#) [QC105](#) [QCC613](#) [QCC615](#) [132465](#) [142810](#) [15288](#) [15425](#) [18511](#) [HTS795-1](#) [30288](#) [1768021-2](#) [18432](#)
[1878679-3](#) [2-1878614-6](#) [PTL-31-427-YL](#) [30239](#) [QC154](#) [QCC612](#) [30545](#) [35070](#) [WM-15-PK](#) [WM-20-PK](#) [5-1768021-6](#) [06770](#) [111852](#)
[111932](#) [KMT-02513V-9](#) [8-1768039-4](#) [1878983-4](#) [B422 25X85MM](#) [PAXLBK10](#) [LAT-52-361-1](#) [PTL-20-486](#) [PTL-38-486](#) [13903](#) [11237](#)
[18389](#) [18341](#) [18603](#) [29904](#) [18519](#) [18524](#) [115110](#) [11199](#) [18542](#) [62351](#) [90731](#)