

THIS DRAWING IS UNPUBLISHED. RELEASED FOR PUBLICATION 20
 © COPYRIGHT 20 BY - ALL RIGHTS RESERVED.

REVISIONS

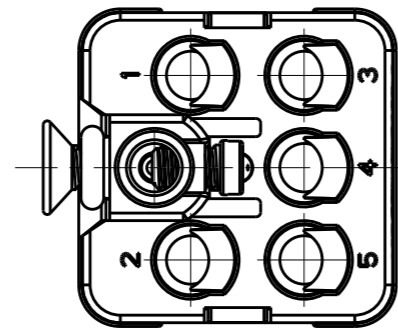
P	LTR	DESCRIPTION	DATE	DWN	APVD
	B	ECR-15-014706	09OCT2015	DL	CW
	B1	ECR-15-016505	11NOV2015	DL	CW
	B2	ECR-16-009730	06JUL2016	BS	CW
	B3	ECR-16-018198	13FEB2017	QY	CW

NOTES:

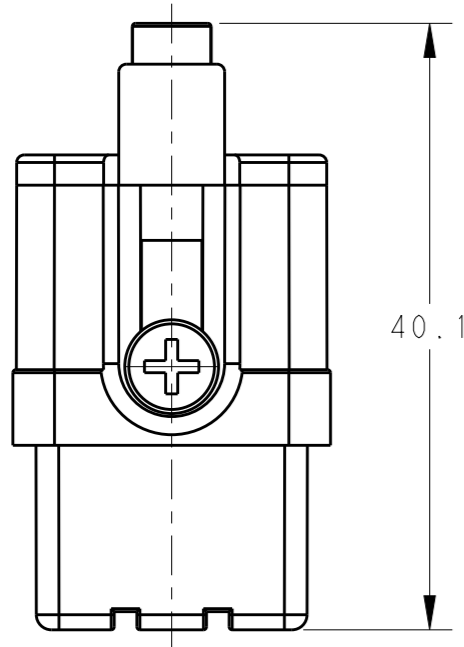
- TECHNICAL CHARACTERISTICS:
 INSULATION MATERIAL: PC
 RATED VOLTAGE: 400 V
 RATED CURRENT: 16 A
 INSULATION RESISTANCE: $\geq 400M\Omega$
 RATED IMPULSE VOLTAGE: 4 KV
 POLLUTION DEGREE: 3
 FLAMMABILITY: UL94V-0
 MATING CYCLES: 500 CYCLES
 WIRE RANGE: 0.14-4.0 mm² (26-12 AWG)
 CONTACT TYPE: CRIMP CONTACT
- CONTACT NEED TO BE ORDERED SEPARATELY.
 (ORDER No. REFER TO DRAWING: T20300X20XX000)

注释:

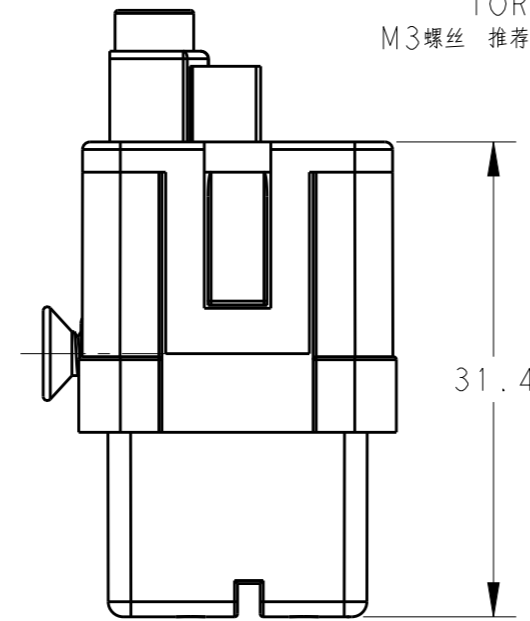
- 技术参数:
 绝缘材料: PC
 额定电压: 400V
 额定电流: 16A
 绝缘电阻: $\geq 400M\Omega$
 额定脉冲电压: 4 KV
 污染等级: 3
 阻燃等级: UL94V-0
 插拔次数: 500次
 接线范围: 0.14-4.0 mm² (26-12 AWG)
 接线类型: 冷压接
- 端子需要单独订购.
 (订货号参考图面: T20300X20XX000)



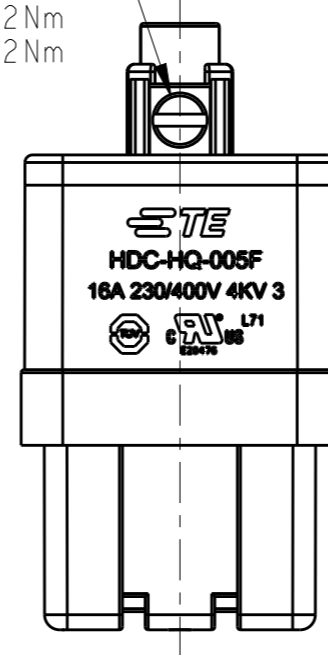
M3 SCREW
 RECOMMENDED
 TIGHTENING
 TORQUE 0.2Nm
 M3螺丝 推荐锁紧力矩0.2Nm



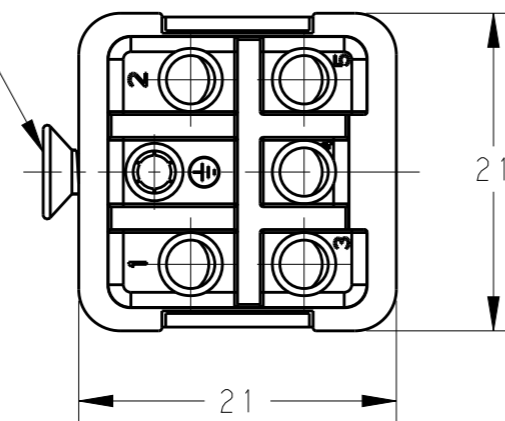
40.1



31.4



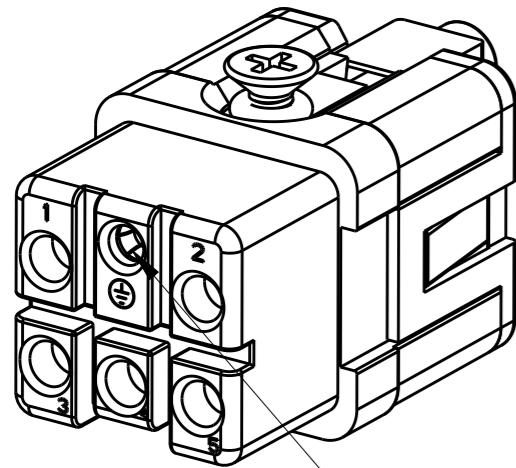
M3 SCREW RECOMMENDED
 TIGHTENING TORQUE 0.2Nm
 M3螺丝 推荐锁紧力矩0.2Nm




21

TYPE-1: T2080052201-000 TE LOGO
 类型-1: T2080052201-000 TE LOGO

TYPE-2: T2080052201-001 STAINLESS STEEL SCREW, TE LOGO
 类型-2: T2080052201-001 不锈钢螺丝, TE LOGO

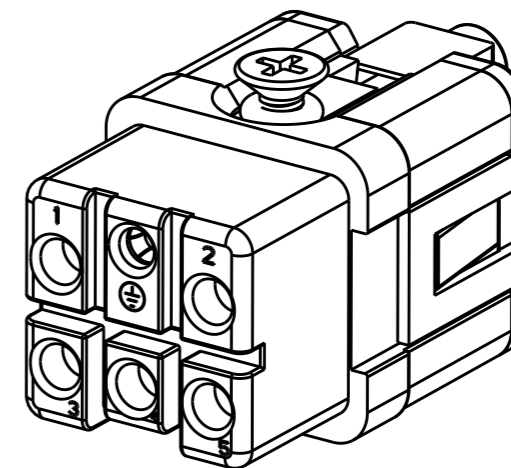
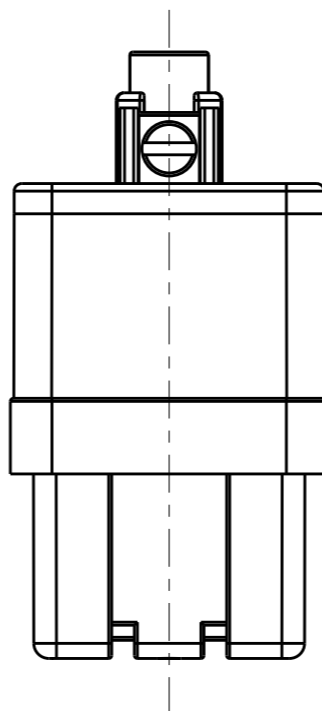
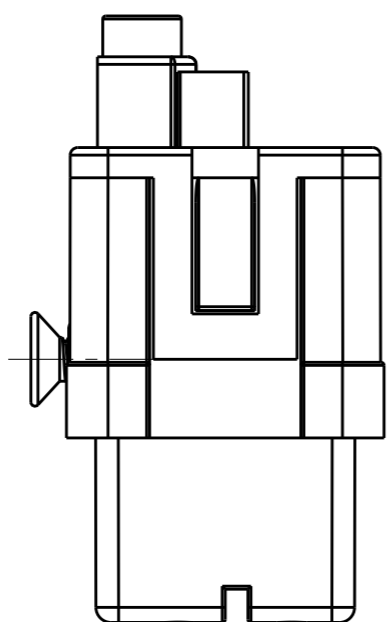
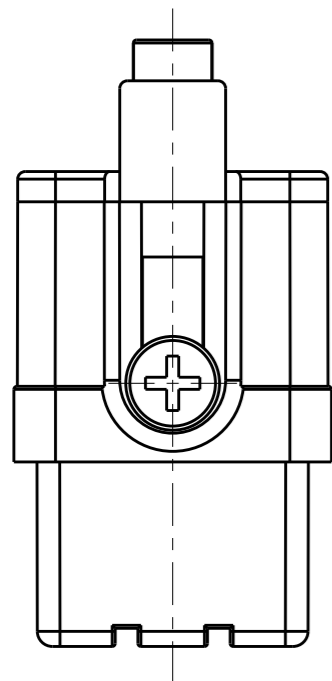
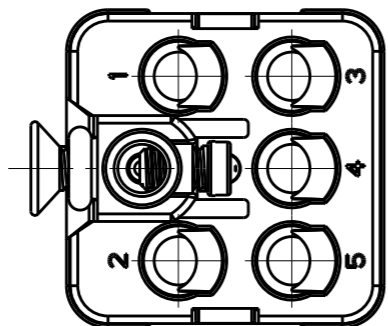


GROUNDING CONTACT TYPE: SCREW CONTACT
 GROUNDING CONTACT FINISH: SILVER PLATED
 WIRE RANGE: 2.5mm (AWG14)
 接地端子类型: 螺丝连接端子 / 接地端子表面处理: 镀银 / 接线范围: 2.5mm² (AWG14)

THIS DRAWING IS A CONTROLLED DOCUMENT.		DWN 10JAN2015 David Wang	 TE Connectivity	
DIMENSIONS: mm		CHK 10JAN2015 Chris Wang		
TOLERANCES UNLESS OTHERWISE SPECIFIED:		APVD 10JAN2015 Xiang Xu	NAME HQ-005-F	
0 PLC ±-		PRODUCT SPEC 108-137054	SIZE A3	
1 PLC ±-		APPLICATION SPEC 114-137054	CAGE CODE 00779	DRAWING NO T2080052201000
2 PLC ±-		WEIGHT -	RESTRICTED TO -	
3 PLC ±-		MATERIAL -	SCALE 2:1	
4 PLC ±-		FINISH -	SHEET 1 OF 2	
ANGLES ±-		Customer Drawing	REV B3	

REVISIONS

P	LTR	DESCRIPTION	DATE	DWN	APVD
-		SEE SHEET 1	-	-	-

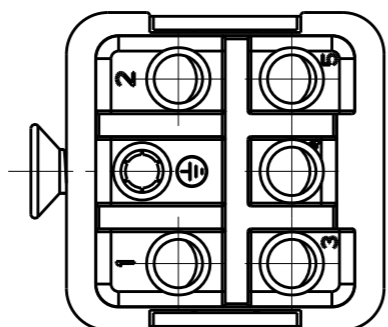


NOTES:
SEE SHEET 1

注释:
见页 1

TYPE-3: T2080052201-002 STAINLESS STEEL SCREW, NO LOGO
类型-3: T2080052201-002 不锈钢螺丝, 无LOGO

ALL DIMENSIONS ARE SAME AS TYPE 1,
EXCEPT THOSE DEFINED IN THIS TYPE.
除了在本类型中定义的尺寸外, 其它尺寸同类型 1



T2080052201-002	HQ-005-F	HQ-005 FEMALE INSERT, STAINLESS STEEL SCREW, NO LOGO HQ-005 母插, 不锈钢螺丝, 无LOGO	TYPE-3 类型-3
T2080052201-001	HQ-005-F	HQ-005 FEMALE INSERT, STAINLESS STEEL SCREW HQ-005 母插, 不锈钢螺丝	TYPE-2 类型-2
T2080052201-000	HQ-005-F	HQ-005 FEMALE INSERT HQ-005 母插	TYPE-1 类型-1
PART NUMBER 料号		PART DESCRIPTION 描述	TYPE 类型

THIS DRAWING IS A CONTROLLED DOCUMENT.		DWN 10JAN2015 David Wang					
DIMENSIONS: mm		CHK 10JAN2015 Chris Wang			NAME HQ-005-F		
TOLERANCES UNLESS OTHERWISE SPECIFIED:		APVD 10JAN2015 Xiang Xu					
0 PLC ±- 1 PLC ±- 2 PLC ±- 3 PLC ±- 4 PLC ±- ANGLES ±-		PRODUCT SPEC 108-137054	SIZE	CAGE CODE	DRAWING NO	RESTRICTED TO	
MATERIAL		APPLICATION SPEC 114-137054	A3	00779	©-T2080052201000	-	
FINISH		WEIGHT	Customer Drawing		SCALE 2:1	SHEET 2 OF 2	REV B3

X-ON Electronics

Largest Supplier of Electrical and Electronic Components

Click to view similar products for [Headers & Wire Housings](#) category:

Click to view products by [TE Connectivity](#) manufacturer:

Other Similar products are found below :

[95000-104TRLF](#) [10135584-644402LF](#) [DF62W-EP2022PCA](#) [95000-106TRLF](#) [DF62W-2022SCA](#) [48050-002LF](#) [DF62W-EP2022PC](#) [2203348](#)
[DF62W-2022SC](#) [1084018](#) [1029039](#) [1084017](#) [802-10-012-10-002000](#) [1112640](#) [1112639](#) [891-007-9SS-BST1T](#) [000-34000](#) [0008550134](#)
[0009482033](#) [0009507031](#) [0009524054](#) [57102-F02-18ULF](#) [57102-S06-03LF](#) [57202-S52-04LF](#) [PCN6-15S-2.5E](#) [0039019024](#) [58102-G61-](#)
[06LF](#) [582553-1](#) [0009485154](#) [0009508121](#) [0022285053](#) [0050291907](#) [018731A](#) [LY20-4P-DT1-P1E-BR](#) [02.125.8002.8](#) [60101931](#) [60598-1](#)
[\(Cut Strip\)](#) [M1625-3R/100](#) [61062-3](#) [61082-181009](#) [632209-000](#) [636-1427](#) [638009-1](#) [641938-9](#) [641991-4](#) [644168-1](#) [644827-2](#) [647662-1](#)
[65039-019ELF](#) [65692-001LF](#)