

THIS DRAWING IS UNPUBLISHED.

RELEASED FOR PUBLICATION

20

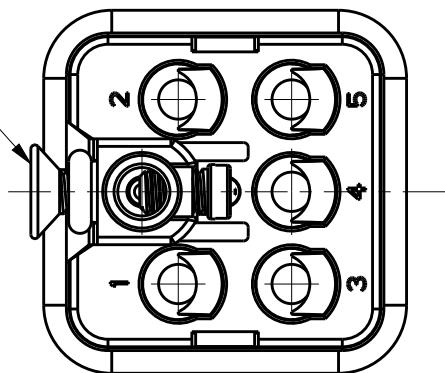
© COPYRIGHT 20 BY -

ALL RIGHTS RESERVED.

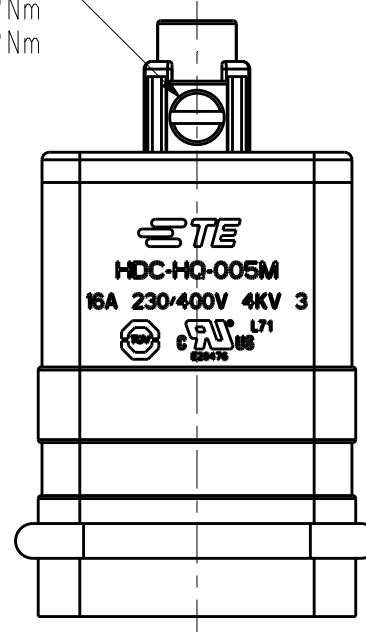
REVISIONS

P	LTR	DESCRIPTION	DATE	DWN	APVD
B1		ECR-15-016505	11NOV2015	DL	CW
B2		ECR-16-009730	06JUL2016	BS	CW
B3		ECR-16-018198	10FEB2017	QY	CW
B4		ECR-18-016602	08NOV2018	CH	CW

M3 SCREW, RECOMMENDED
TIGHTENING TORQUE 0.2Nm
M3螺丝, 推荐锁紧力矩0.2Nm



M3 SCREW, RECOMMENDED
TIGHTENING TORQUE 0.2Nm
M3螺丝, 推荐锁紧力矩0.2Nm

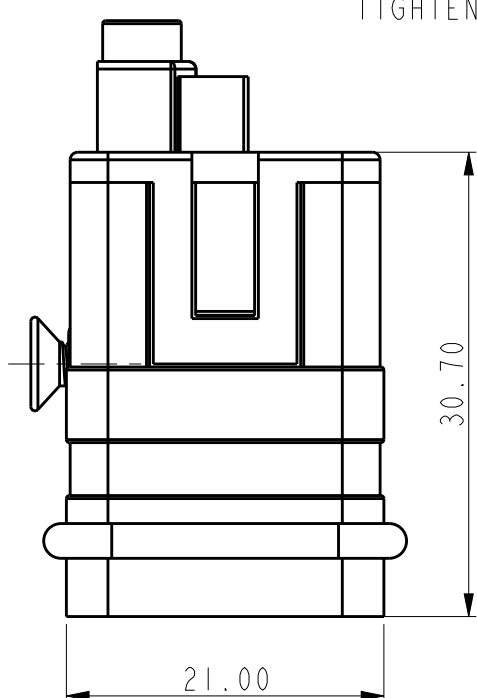
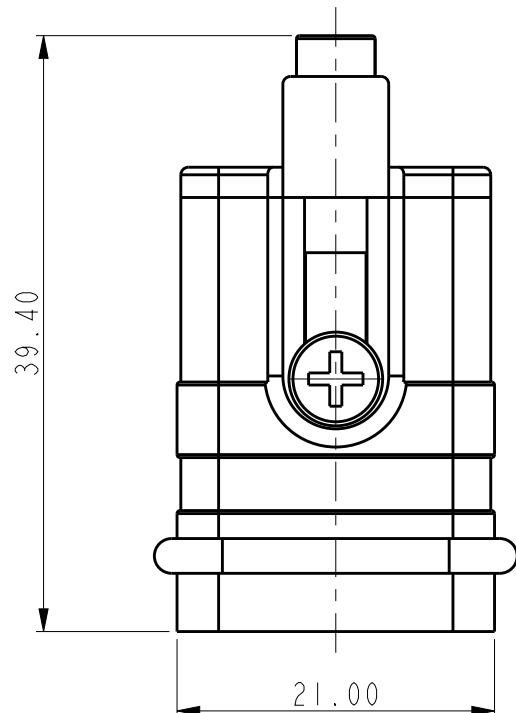


NOTES:

- TECHNICAL CHARACTERISTICS:
INSULATION MATERIAL: PC
RATED VOLTAGE: 400V
RATED CURRENT: 16A
INSULATION RESISTANCE: $\geq 400M\Omega$
RATED IMPULSE VOLTAGE: 4KV
POLLUTION DEGREE: 3
FLAMMABILITY: UL94V-0
MATING CYCLES: 500 CYCLES
WIRE RANGE: 0.14-4.0mm² (26-12AWG)
CONTACT TYPE: CRIMP CONTACT
- CONTACT NEED TO BE ORDERED SEPARATELY.
(ORDER No. REFER TO DRAWING:T20300X10XX000)

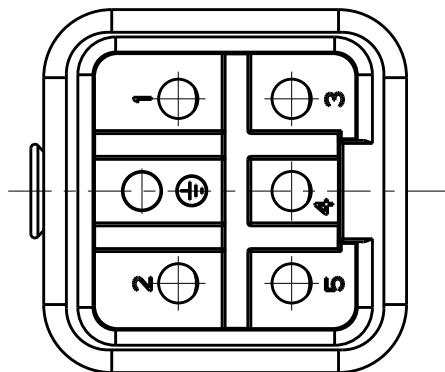
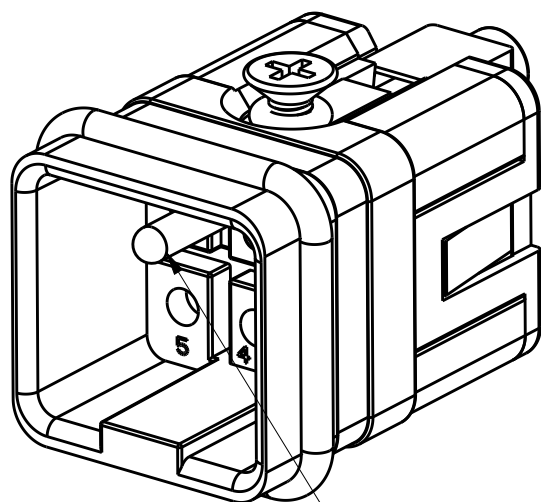
注释:

- 技术参数:
绝缘材料: PC
额定电压: 400V
额定电流: 16A
绝缘电阻: $\geq 400M\Omega$
额定脉冲电压: 4KV
污染等级: 3
阻燃等级: UL94V-0
插拔次数: 500次
接线范围: 0.14-4.0mm² (26-12AWG)
接线类型: 冷压接
- 端子需要单独订购。
(订货号参考图面: T20300X10XX000)


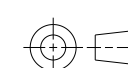


TYPE-1:T2080052101-000,TE LOGO
类型-1:T2080052101-000,TE LOGO

TYPE-2:T2080052101-001,STAINLESS STEEL SCREW,TE LOGO
类型-2:T2080052101-001,不锈钢螺丝,TE LOGO



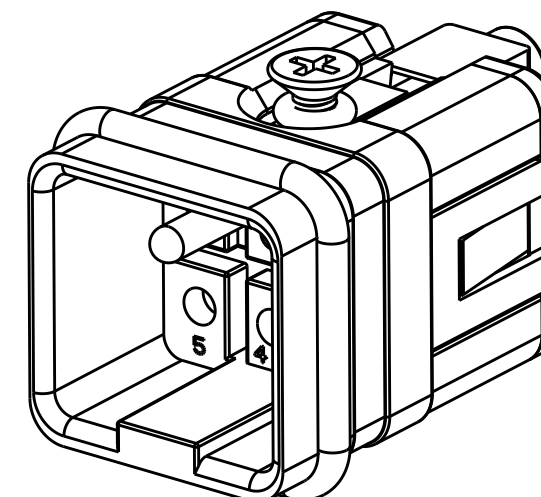
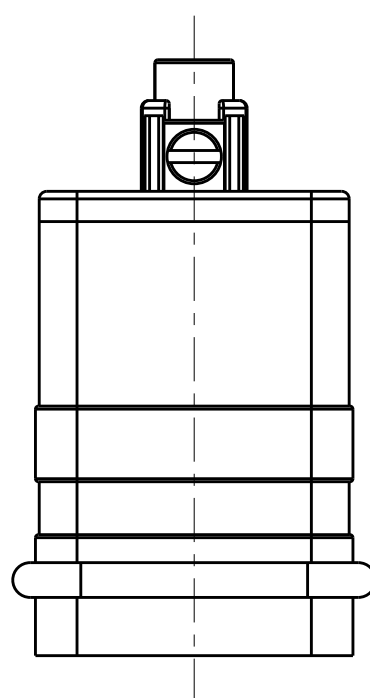
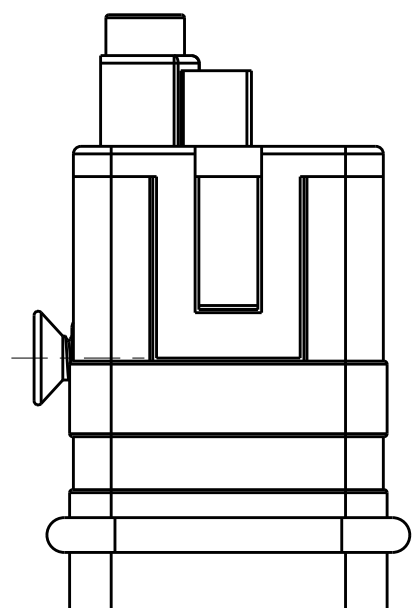
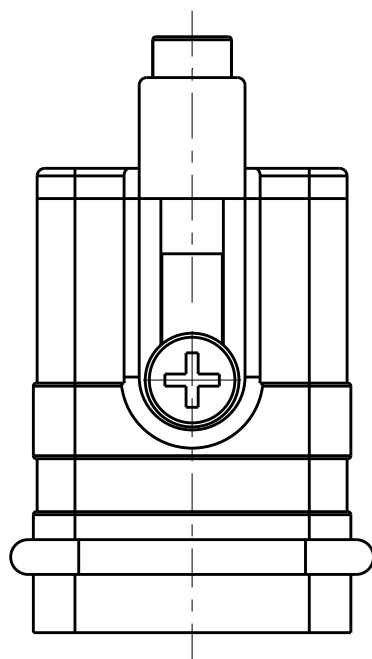
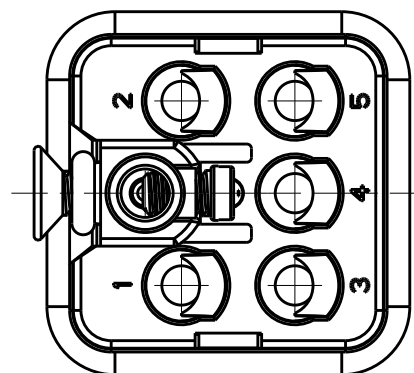
GROUNDING CONTACT TYPE: SCREW CONTACT
GROUNDING CONTACT FINISH: SILVER PLATED
WIRE RANGE: 2.5mm (AWG14)
接地端子类型: 螺丝连接端子 / 接地端子表面处理: 镀银 / 接线范围: 2.5mm² (AWG14)

THIS DRAWING IS A CONTROLLED DOCUMENT.		DWN	DAVID.WANG	10JAN2015	 TE Connectivity	
DIMENSIONS: mm		CHK	CHRIS.WANG	10JAN2015		
TOLERANCES UNLESS OTHERWISE SPECIFIED: 0 PLC ±- 1 PLC ±- 2 PLC ±- 3 PLC ±- 4 PLC ±- ANGLES ±-		APVD	XIANG.XU	10JAN2015		
MATERIAL		FINISH				
		PRODUCT SPEC	108-137054		NAME	HQ-005-M
		APPLICATION SPEC	114-137054		SIZE	A3
		WEIGHT	-		CAGE CODE	00779
			Customer Drawing		DRAWING NO	©-T2080052101000
					RESTRICTED TO	-
					SCALE	1:1
					SHEET	1 OF 2
					REV	B4

REVISIONS

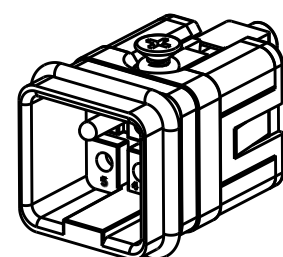
P	LTR	DESCRIPTION	DATE	DWN	APVD
-	-	SEE SHEET 1	-	-	-

NOTES:
SEE SHEET 1



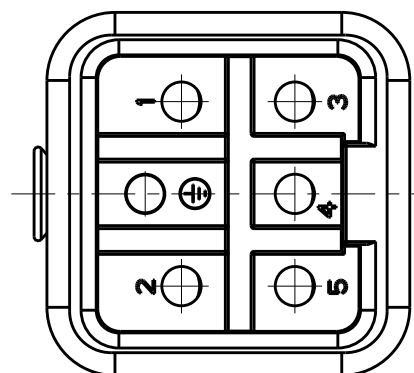
TYPE-4: T2080052101-003, THIS TYPE IS SAME AS TYPE-1, ONLY DIFFERENT MALE GROUNDING CONTACT.
 类型-4: T2080052101-003, 此类型同类型-1, 只是公接地针不同.

ALL DIMENSIONS ARE SAME AS TYPE-1, EXCEPT THOSE DEFINED IN THIS TYPE.
 除了在本类型中定义的尺寸外, 其它尺寸同类型-1



SCALE 1:1

TYPE-3: T2080052101-002, STAINLESS STEEL SCREW, NO LOGO
 类型-3: T2080052101-002, 不锈钢螺丝, 无LOGO



T2080052101-003	HQ-005-M	HQ-005 MALE INSERT HQ-005 公插	TYPE-4 类型-4
T2080052101-002	HQ-005-M	HQ-005 MALE INSERT, STAINLESS STEEL SCREW, NO LOGO HQ-005 公插, 不锈钢螺丝, 无LOGO	TYPE-3 类型-3
T2080052101-001	HQ-005-M	HQ-005 MALE INSERT, STAINLESS STEEL SCREW HQ-005 公插, 不锈钢螺丝	TYPE-2 类型-2
T2080052101-000	HQ-005-M	HQ-005 MALE INSERT HQ-005 公插	TYPE-1 类型-1
PART NUMBER 料号	PART DESCRIPTION 描述		TYPE 类型

THIS DRAWING IS A CONTROLLED DOCUMENT.		DWN DAVID.WANG 10JAN2015				
DIMENSIONS: mm		CHK CHRIS.WANG 10JAN2015				
TOLERANCES UNLESS OTHERWISE SPECIFIED:		APVD XIANG.XU 10JAN2015				
0 PLC ±- 1 PLC ±- 2 PLC ±- 3 PLC ±- 4 PLC ±- ANGLES ±-		NAME HQ-005-M				
MATERIAL	FINISH	PRODUCT SPEC 108-137054	SIZE A3	CAGE CODE 00779	DRAWING NO C-T2080052101000	RESTRICTED TO
-	-	APPLICATION SPEC 114-137054	SCALE 2:1		SHEET 2 OF 2	REV B4
-	-	WEIGHT -	Customer Drawing			

X-ON Electronics

Largest Supplier of Electrical and Electronic Components

Click to view similar products for [Headers & Wire Housings](#) category:

Click to view products by [TE Connectivity](#) manufacturer:

Other Similar products are found below :

[95000-104TRLF](#) [10135584-644402LF](#) [DF62W-EP2022PCA](#) [95000-106TRLF](#) [DF62W-2022SCA](#) [48050-002LF](#) [DF62W-EP2022PC](#) [2203348](#)
[DF62W-2022SC](#) [1084018](#) [1029039](#) [1084017](#) [802-10-012-10-002000](#) [1112640](#) [1112639](#) [891-007-9SS-BST1T](#) [000-34000](#) [0008550134](#)
[0009482033](#) [0009507031](#) [0009524054](#) [57102-F02-18ULF](#) [57102-S06-03LF](#) [57202-S52-04LF](#) [PCN6-15S-2.5E](#) [0039019024](#) [58102-G61-](#)
[06LF](#) [582553-1](#) [0009485154](#) [0009508121](#) [0022285053](#) [0050291907](#) [018731A](#) [LY20-4P-DT1-P1E-BR](#) [02.125.8002.8](#) [60101931](#) [60598-1](#)
[\(Cut Strip\)](#) [M1625-3R/100](#) [61062-3](#) [61082-181009](#) [632209-000](#) [636-1427](#) [638009-1](#) [641938-9](#) [641991-4](#) [644168-1](#) [644827-2](#) [647662-1](#)
[65039-019ELF](#) [65692-001LF](#)