

4

3

2

1

THIS DRAWING IS UNPUBLISHED.

RELEASED FOR PUBLICATION

20

© COPYRIGHT 20

BY -

ALL RIGHTS RESERVED.

REVISIONS

P	LTR	DESCRIPTION	DATE	DWN	APVD
A		INITIAL RELEASE	02APR2015	DL	CW
B		ECR-15-014706	10OCT2015	DL	CW
B1		ECR-15-016505	11NOV2015	DL	CW
B2		ECR-16-018198	16JAN2017	QY	CW

M3 THREAD  
RECOMMENDED  
TIGHTENING  
TORQUE 0.5Nm  
M3螺丝, 推荐锁紧力矩0.5Nm

NOTES:

1. TECHNICAL CHARACTERISTICS:  
INSULATION MATERIAL: PC  
RATED VOLTAGE: 400 V  
RATED CURRENT: 10 A  
INSULATION RESISTANCE:  $\geq 400M\Omega$   
RATED IMPULSE VOLTAGE: 6 KV  
POLLUTION DEGREE: 3  
FLAMMABILITY: UL94V-0  
MATING CYCLES: 500 CYCLES  
WIRE RANGE: 0.14-2.5 mm<sup>2</sup> (26-14 AWG)  
CONTACT TYPE: CRIMP CONTACT

2. CONTACT NEED TO BE ORDERED SEPARATELY.  
(ORDER No. REFER TO DRAWING: T20200X20XX000)

M3 THREAD  
RECOMMENDED  
TIGHTENING  
TORQUE 0.5Nm  
M3螺丝, 推荐锁紧力矩0.5Nm

注释:

1. 技术参数:  
绝缘材料: PC  
额定电压: 400V  
额定电流: 10A  
绝缘电阻:  $\geq 400M\Omega$   
额定脉冲电压: 6 KV  
污染等级: 3  
阻燃等级: UL94V-0  
插拔次数: 500次  
接线范围: 0.14-2.5 mm<sup>2</sup> (26-14 AWG)  
接线类型: 冷压接

2. 端子需要单独订购.  
(订货号参考图面: T20200X20XX000)

TYPE-1:T2080072201-000 TE LOGO  
类型-1:T2080072201-000 TE LOGO

GROUNDING CONTACT TYPE: SCREW CONTACT  
GROUNDING CONTACT FINISH: SILVER PLATED  
WIRE RANGE: 2.5mm<sup>2</sup> (AWG14)  
接地端子类型: 螺丝连接端子 / 接地端子表面处理: 镀银 / 接线范围: 2.5mm<sup>2</sup> (AWG14)

THIS DRAWING IS A CONTROLLED DOCUMENT.

DIMENSIONS:	TOLERANCES UNLESS OTHERWISE SPECIFIED:
mm	
	0 PLC ±-
	1 PLC ±-
	2 PLC ±-
	3 PLC ±-
	4 PLC ±-
	ANGLES ±-
MATERIAL	FINISH
-	-
-	-

DWN 31MAR2015

DAVID LI

CHK 31MAR2015

CHRIS WANG

APVD 31MAR2015

XU XIANG

PRODUCT SPEC

108-137114

APPLICATION SPEC

114-137114

WEIGHT -

CUSTOMER DRAWING

TE Connectivity

NAME

HQ-007-F

SIZE CAGE CODE DRAWING NO RESTRICTED TO

A3 - ©T2080072201000 -

SCALE 2:1 SHEET 1 OF 2 REV B2

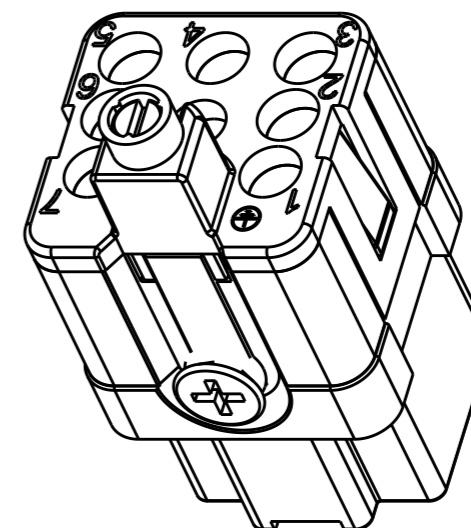
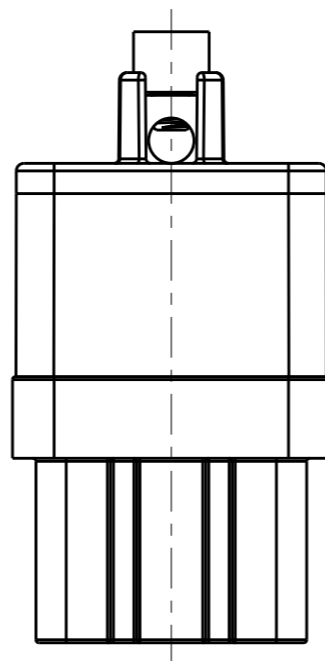
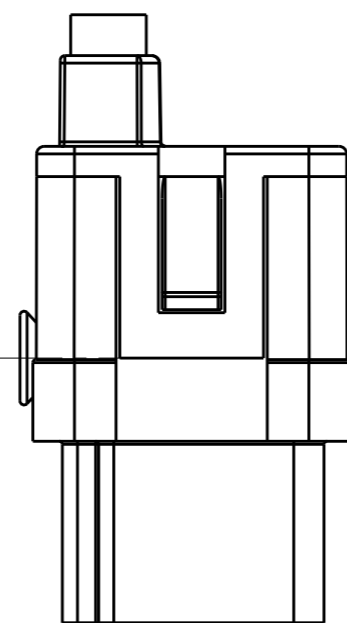
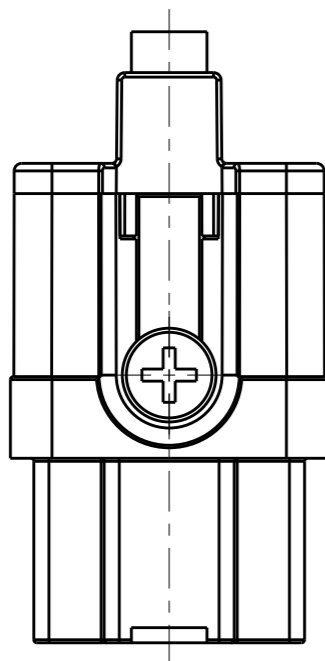
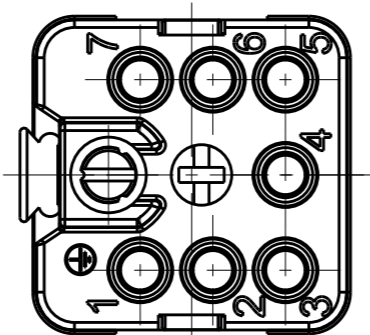
1470-19 (3/13)

REVISIONS

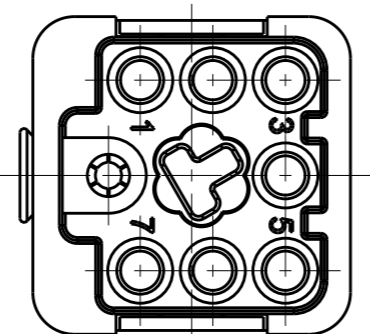
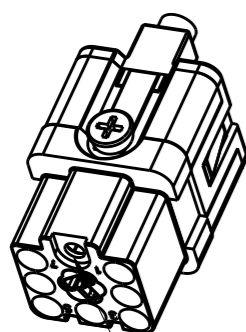
P	LTR	DESCRIPTION	DATE	DWN	APVD
-		SEE SHEET 1	-	-	-

ALL DIMENSIONS ARE SAME AS TYPE 1,  
EXCEPT THOSE DEFINED IN THIS TYPE.  
除了在本类型中定义的尺寸外, 其它尺寸同类型 |

NOTES:  
SEE SHEET 1  
注释:  
见页 1



TYPE-2: T2080072201-001 STAINLESS STEEL SCREW, NO LOGO  
类型-2: T2080072201-001 不锈钢螺丝, 无LOGO



T2080072201-001	HQ-007-F	HQ-007 FEMALE INSERT, STAINLESS STEEL SCREW, NO LOGO HQ-007母插, 不锈钢螺丝, 无LOGO	TYPE-2 类型-2
T2080072201-000	HQ-007-F	HQ-007 FEMALE INSERT HQ-007母插	TYPE-1 类型-1
PART NUMBER 料号	PART DESCRIPTION 描述		TYPE 类型

GROUNDING CONTACT TYPE: SCREW CONTACT  
GROUNDING CONTACT FINISH: SILVER PLATED  
WIRE RANGE: 2.5mm<sup>2</sup> (AWG14)  
接地端子类型: 螺丝连接端子 / 接地端子表面处理: 镀银 / 接线范围: 2.5mm<sup>2</sup> (AWG14)

THIS DRAWING IS A CONTROLLED DOCUMENT.		DWN DAVID LI 31MAR2015		
DIMENSIONS: mm		CHK CHRIS WANG 31MAR2015		
TOLERANCES UNLESS OTHERWISE SPECIFIED:		APVD XU XIANG 31MAR2015	NAME HQ-007-F	
0 PLC ±-		PRODUCT SPEC 108-137114	RESTRICTED TO	
1 PLC ±-		APPLICATION SPEC 114-137114	SIZE A3	CAGE CODE -
2 PLC ±-		WEIGHT -	DRAWING NO C-T2080072201000	SCALE 2:1
3 PLC ±-		CUSTOMER DRAWING	SHEET 2 OF 2	REV B2
4 PLC ±-				
ANGLES ±-				
FINISH				
MATERIAL				

## X-ON Electronics

Largest Supplier of Electrical and Electronic Components

*Click to view similar products for [Headers & Wire Housings](#) category:*

*Click to view products by [TE Connectivity](#) manufacturer:*

Other Similar products are found below :

[95000-104TRLF](#) [10135584-644402LF](#) [DF62W-EP2022PCA](#) [95000-106TRLF](#) [DF62W-2022SCA](#) [48050-002LF](#) [DF62W-EP2022PC](#) [2203348](#)  
[DF62W-2022SC](#) [1084018](#) [1029039](#) [1084017](#) [802-10-012-10-002000](#) [1112640](#) [1112639](#) [891-007-9SS-BST1T](#) [000-34000](#) [0008550134](#)  
[0009482033](#) [0009507031](#) [0009524054](#) [57102-F02-18ULF](#) [57102-S06-03LF](#) [57202-S52-04LF](#) [PCN6-15S-2.5E](#) [0039019024](#) [58102-G61-](#)  
[06LF](#) [582553-1](#) [0009485154](#) [0009508121](#) [0022285053](#) [0050291907](#) [018731A](#) [LY20-4P-DT1-P1E-BR](#) [02.125.8002.8](#) [60101931](#) [60598-1](#)  
[\(Cut Strip\)](#) [M1625-3R/100](#) [61062-3](#) [61082-181009](#) [632209-000](#) [636-1427](#) [638009-1](#) [641938-9](#) [641991-4](#) [644168-1](#) [644827-2](#) [647662-1](#)  
[65039-019ELF](#) [65692-001LF](#)