

REVISIONS					
P	LTR	DESCRIPTION	DATE	DWN	APVD
	A	SUPERCEDED HRSR/HRHF/HRNF	8/13/2019	J.B.	T.L.

**SIGMAFORM
HRHF and HRSR**

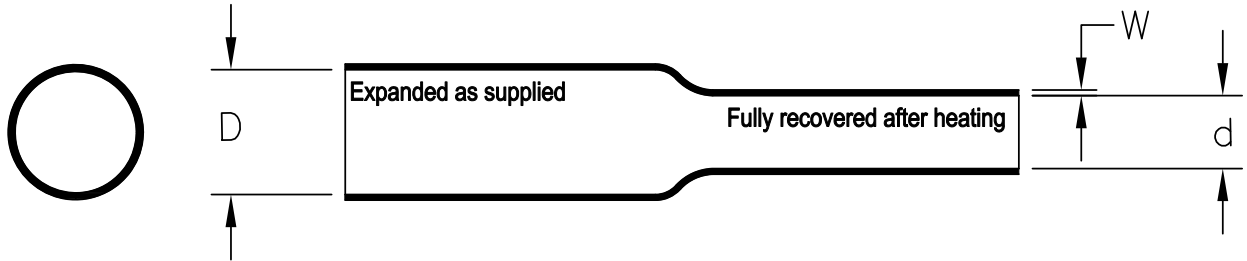


Table 1: Dimensions mm (inches)


Part Number	As Supplied		As Recovered			
	Inside Diameter Minimum (D)		Inside Diameter Maximum (d)		Wall Thickness Nominal (W)	
	mm	in.	mm	in.	mm	in.
HR**060	15.24	0.600	4.44	0.175	1.52	0.060
HR**125	31.75	1.250	6.70	0.265	1.52	0.060
HR**175	44.45	1.750	8.80	0.345	2.41	0.095
HR**200	50.80	2.000	10.47	0.412	2.67	0.105
HR**250	63.50	2.500	13.97	0.550	3.05	0.120
HR**300	76.20	3.000	20.00	0.788	3.05	0.120
HR**400	101.60	4.000	24.00	0.945	3.56	0.140

** HF or SR

Color: Standard Black
Nonstandard Clear available on request (not flame-retardant; HRHF only)

Reference Specification TEC-108-120059

THIS DRAWING IS UNPUBLISHED. ALL RIGHTS RESERVED. © COPYRIGHT 2019 TE Connectivity

DIMENSIONS: INCHES	DWN J. Bitter	07-Aug-2019	MATERIAL -	FINISH -
	CHK T. Licko	-	 TE Connectivity	
TOLERANCES UNLESS OTHERWISE SPECIFIED: 0 PLC ± - 1 PLC ± - 2 PLC ± - 3 PLC ± - 4 PLC ± - ANGLES ± -	APVD T. Licko	-		
	PRODUCT SPEC 108-120059	-	SIZE A4	CAGE CODE 06090
	APPLICATION SPEC -	-	DRAWING NO C=HRHF/HRSR	RESTRICTED TO -
	WEIGHT 0	-	SCALE 1:1	
CUSTOMER DRAWING			SHEET 1 OF 1	REV A

X-ON Electronics

Largest Supplier of Electrical and Electronic Components

Click to view similar products for [Heat Shrink Tubing and Sleeves](#) category:

Click to view products by [TE Connectivity](#) manufacturer:

Other Similar products are found below :

[5685710001](#) [CR9960-000](#) [5734012004](#) [607381P039](#) [611112-000](#) [6284592002](#) [CX4711-000](#) [CZ1420-000](#) [D-306-38](#) [770-006S302](#) [770-010Y106W1](#) [770-018S103](#) [770-018S202W1](#) [770-018S205W1](#) [770-020S704W1](#) [770-020S705](#) [MFP-3/64"-Clear](#) [790-3012](#) [MHHT-4-15K2-G-104](#) [8003012003](#) [MIL-LT-1-1/2-4-SP](#) [MIL-LT-1-1/2-9-STK](#) [MIL-LT-1/2-2-STK](#) [MIL-LT-3-0-SP](#) [MIL-LT-3/32-0-SP](#) [MIL-LT-3/32-6-SP](#) [MIL-LT-3/4-4-STK](#) [MIL-LT-3/4-6-SP](#) [839602-000](#) [8423-6](#) [FP301-116-48"-Clear](#) [FP301-12-6"-Clear](#) [FP301-1/4-48"-White-Hdr](#) [FP301-18-48"-Black-Hdr](#) [FP301-1/8-6"-Black](#) [FP301-18-6"-Black-Bulk](#) [FP301-316-48"-Blue-Hdr](#) [912229N002](#) [R280637030](#) [HDCW-5515-1000](#) [HDT-0300-48A-BLACK](#) [HDT-0400-48A-Black](#) [HDT-0800-48A-RED](#) [HDT1100-48A-BLK](#) [HDT1500-48A-BLK](#) [HDT-2000-48A-Black](#) [RHW-70/20-1200/ADH-0](#) [DWP-125-0.450-4-55MM-CS879](#) [156082-000](#) [MT5500-3/8-X-SP](#)