

LOC
E

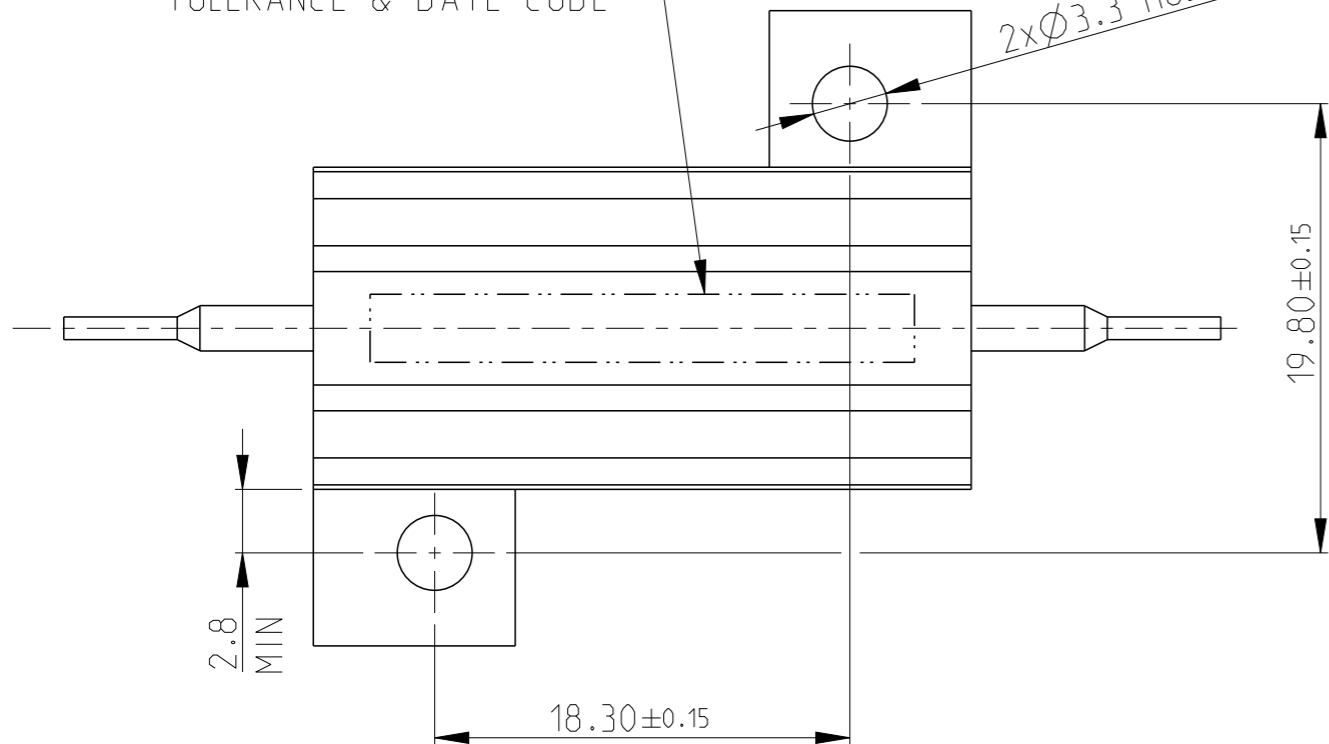
DIST
B

REVISIONS

P	LTR	DESCRIPTION	DATE	DWN	APVD
C2		REVISED PER ECO-11-005150	29MAR2011	RK	HMR
N		ECR-16-003725	12MAR2016	KR	TN

LASER MARKING: TE LOGO PN VALUE
TOLERANCE & DATE CODE

2xØ3.3 HOLES



1 FOR FURTHER INFORMATION SEE DATA SHEET FOR
HS SERIES-ALUMINIUM HOUSED RESISTORS

2 FOR A SPECIFIC PN FOR A RESISTANCE VALUE
AND TOLERANCE, PLEASE REFER TO DMF

3 TECHNICAL SPECIFICATION

DISSIPATION AT 25°C : 25 WATTS MOUNTED
ON STANDARD HEATSINK

BS OHMIC RANGE : R051 TO 27K

STABILITY : ΔR < =1% PER 1000hrs

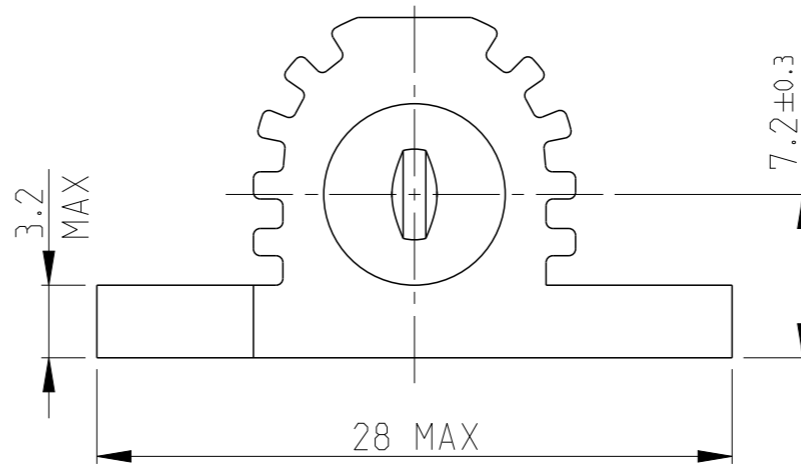
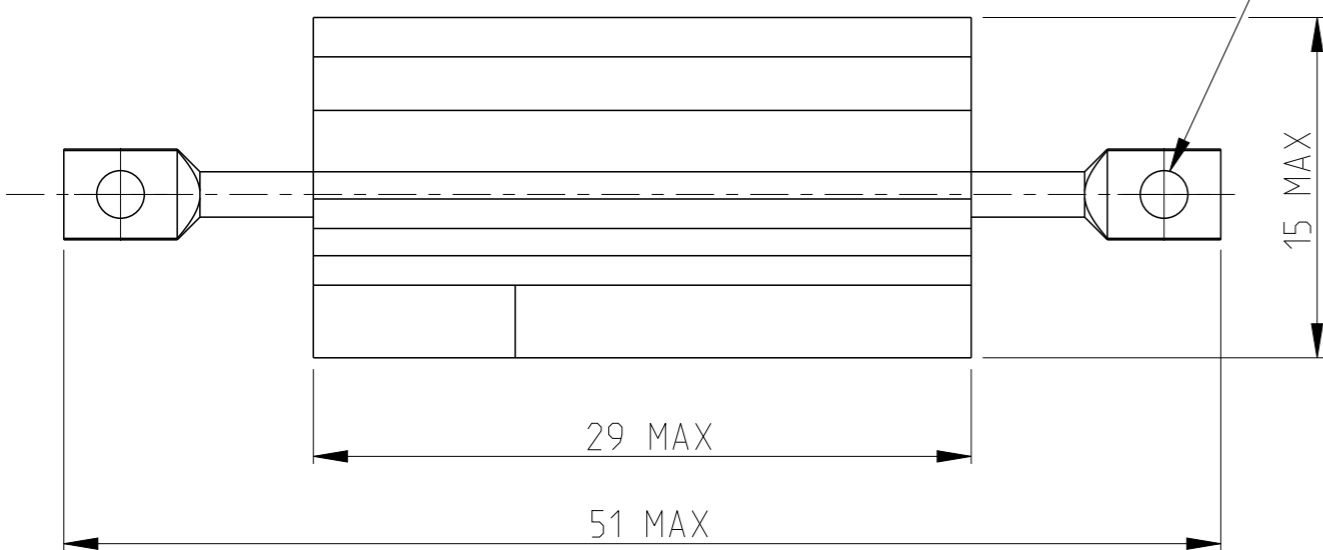
ISOLATION VOLTAGE : 2500V DC/AC pk

MAX WORKING VOLTAGE : 500V DC/AC rms

TEMP COEFFICIENT : > 1R0 50ppm
> 100R 25ppm

CLIMATIC CATEGORY : 55/200/56

TAG HOLES Ø2/2.2



RoHS Compliant



THIS DRAWING IS A CONTROLLED DOCUMENT.

DWN 29.SEP.05
DAVE KENNEDY

CHK 30.SEP.05
J CATCHPOLE

APVD 30.SEP.05
J CATCHPOLE

PRODUCT SPEC

APPLICATION SPEC

WEIGHT -

CUSTOMER DRAWING



TE Connectivity

NAME
HSA25 METAL CLAD RESISTOR

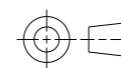
SIZE CAGE CODE DRAWING NO RESTRICTED TO

A3 00779 C=1625971

SCALE 3:1 SHEET 1 OF 1 REV N

DIMENSIONS:

mm



TOLERANCES UNLESS OTHERWISE SPECIFIED:

0 PLC	±0.5
1 PLC	±0.2
2 PLC	±0.1
3 PLC	±
4 PLC	±
ANGLES	±5°
FINISH	-

MATERIAL -

X-ON Electronics

Largest Supplier of Electrical and Electronic Components

Click to view similar products for [Wirewound Resistors - Chassis Mount](#) category:

Click to view products by [TE Connectivity](#) manufacturer:

Other Similar products are found below :

[HD300HLR71J](#) [RER50F18R7RC02](#) [RER50F7R50RC02](#) [RER75F4991MC02](#) [RH0055R000FC02W09](#) [2-1623821-6](#) [FVT200-500](#)
[RDSF010015R00JDBNI](#) [RER60F34R8RC02](#) [RER60F51R1MC0230](#) [RER65F1R50PC02](#) [RER70F62R5PC02](#) [VK100NA-200](#) [VK100NA-50](#)
[VK100NA-750](#) [40/70MJ2K00BE](#) [VP10FA-3K](#) [VP50KA-20K](#) [VPR10F1](#) [VPR10F-13.5K](#) [VPR10F-4500](#) [VPR10F-4.5K](#) [VPR10F-4K](#)
[VPR10F-700](#) [VPR10F-7.5K](#) [VPR20H150](#) [VPR5F-22.5K](#) [L75J1K0E](#) [VRH320 3K3 K](#) [RER65F2940PC02](#) [RER75F1R00RC02](#)
[RER70F27R4P](#) [VPR5F-600](#) [VPR5F250](#) [VPR10F-8K](#) [VPR10F-6K](#) [VPR10F225](#) [VPR10F-1.75K](#) [VPR10F-1.25K](#) [VPR10F-125](#) [VPR10F10](#)
[VP50KA-12K](#) [VP50KA-100K](#) [VP25KA-5000](#) [VK100NA250](#) [VK100NA-15](#) [620-5R00-FBW](#) [L100J150E-MT1](#) [L50J500E-MT1](#) [VPR10F-8.5K](#)