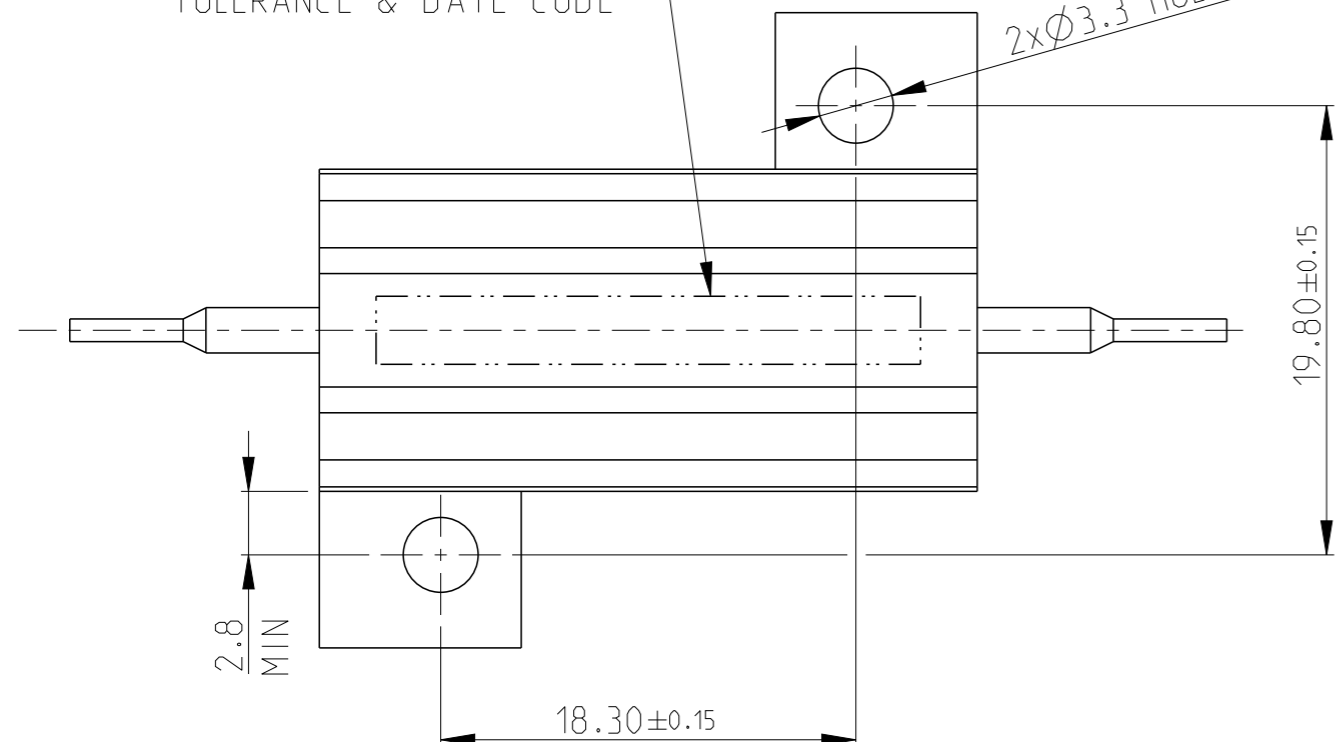


LOC	DIST
E	B

REVISIONS					
P	LTR	DESCRIPTION	DATE	DWN	APVD
C	2	REVISED PER ECO-11-005150	29MAR2011	RK	HMR
N		ECR-16-003725	12MAR2016	KR	TN

LASER MARKING: TE LOGO PN VALUE
TOLERANCE & DATE CODE

2xØ3.3 HOLES



1 FOR FURTHER INFORMATION SEE DATA SHEET FOR HS SERIES-ALUMINIUM HOUSED RESISTORS

2 FOR A SPECIFIC PN FOR A RESISTANCE VALUE AND TOLERANCE, PLEASE REFER TO DMF

3 TECHNICAL SPECIFICATION

DISSIPATION AT 25°C : 25 WATTS MOUNTED ON STANDARD HEATSINK

BS OHMIC RANGE : R051 TO 27K

STABILITY : ΔR < =1% PER 1000hrs

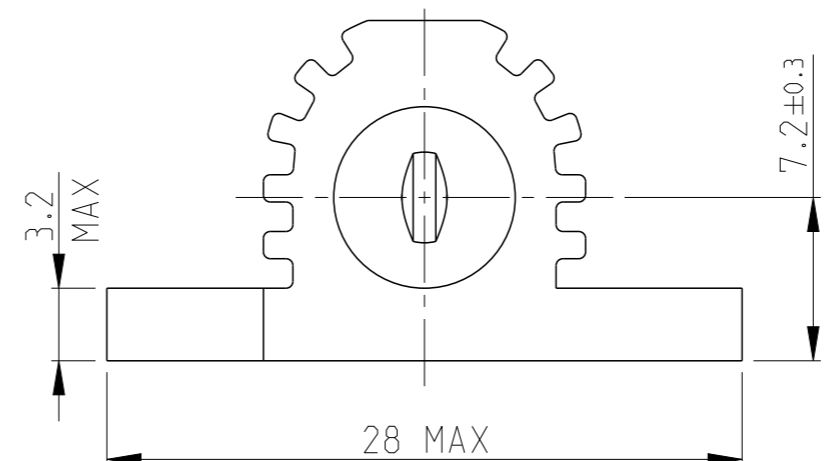
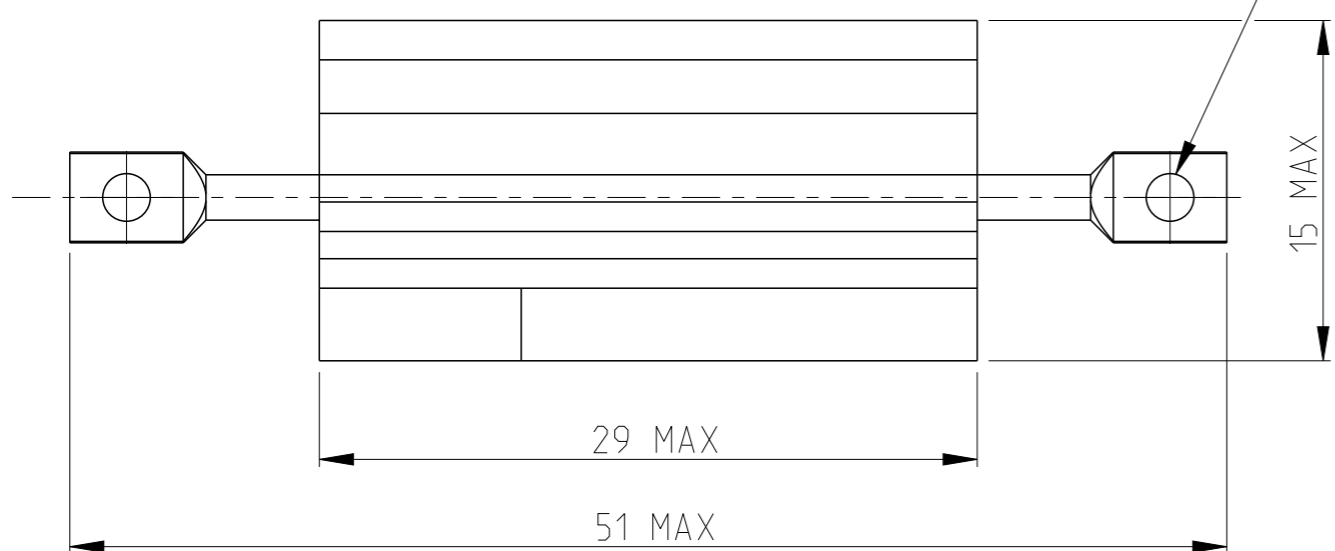
ISOLATION VOLTAGE : 2500V DC/AC pk

MAX WORKING VOLTAGE : 500V DC/AC rms

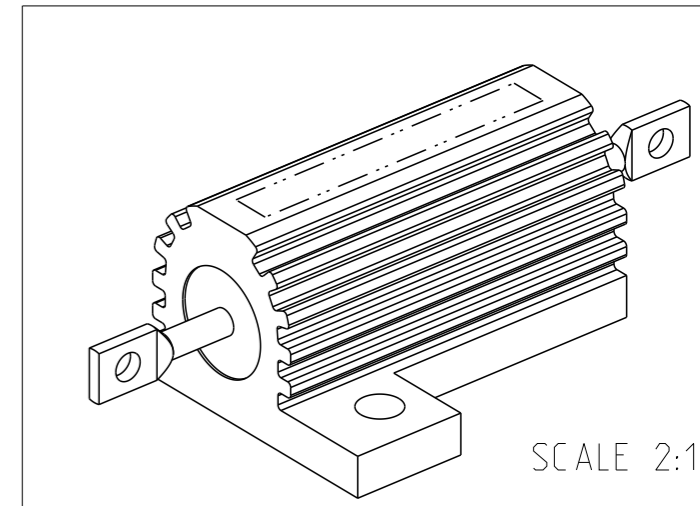
TEMP COEFFICIENT : > 1R0 50ppm
> 100R 25ppm

CLIMATIC CATEGORY : 55/200/56

TAG HOLES Ø2/2.2



RoHS Compliant



THIS DRAWING IS A CONTROLLED DOCUMENT.

DIMENSIONS:	TOLERANCES UNLESS OTHERWISE SPECIFIED:
mm	
	0 PLC ±0.5
	1 PLC ±0.2
	2 PLC ±0.1
	3 PLC ±
	4 PLC ±
	ANGLES ±5°
MATERIAL	FINISH
-	-

DWN	29.SEP.05
DAVE KENNEDY	
CHK	30.SEP.05
J CATCHPOLE	
APVD	30.SEP.05
J CATCHPOLE	
PRODUCT SPEC	
APPLICATION SPEC	
WEIGHT	-
CUSTOMER DRAWING	

		TE Connectivity	
NAME			
HSA25 METAL CLAD RESISTOR			
SIZE	CAGE CODE	DRAWING NO	RESTRICTED TO
A3	00779	C=1625971	-
SCALE		SHEET	REV
3:1		1 OF 1	N

X-ON Electronics

Largest Supplier of Electrical and Electronic Components

Click to view similar products for [Wirewound Resistors - Chassis Mount](#) category:

Click to view products by [TE Connectivity](#) manufacturer:

Other Similar products are found below :

[HD300HLR71J](#) [RER50F18R7RC02](#) [RER50F7R50RC02](#) [RER75F4991MC02](#) [RH0055R000FC02W09](#) [2-1623821-6](#) [FVT200-500](#)
[RDSF010015R00JDBNI](#) [RER60F34R8RC02](#) [RER60F51R1MC0230](#) [RER65F1R50PC02](#) [RER70F62R5PC02](#) [VK100NA-200](#) [VK100NA-50](#)
[VK100NA-750](#) [40/70MJ2K00BE](#) [VP10FA-3K](#) [VP50KA-20K](#) [VPR10F1](#) [VPR10F-13.5K](#) [VPR10F-4500](#) [VPR10F-4.5K](#) [VPR10F-4K](#)
[VPR10F-700](#) [VPR10F-7.5K](#) [VPR20H150](#) [VPR5F-22.5K](#) [L75J1K0E](#) [VRH320 3K3 K](#) [RER65F2940PC02](#) [RER75F1R00RC02](#)
[RER70F27R4P](#) [VPR5F-600](#) [VPR5F250](#) [VPR10F-8K](#) [VPR10F-6K](#) [VPR10F225](#) [VPR10F-1.75K](#) [VPR10F-1.25K](#) [VPR10F-125](#) [VPR10F10](#)
[VP50KA-12K](#) [VP50KA-100K](#) [VP25KA-5000](#) [VK100NA250](#) [VK100NA-15](#) [620-5R00-FBW](#) [L100J150E-MT1](#) [L50J500E-MT1](#) [VPR10F-](#)
[8.5K](#)