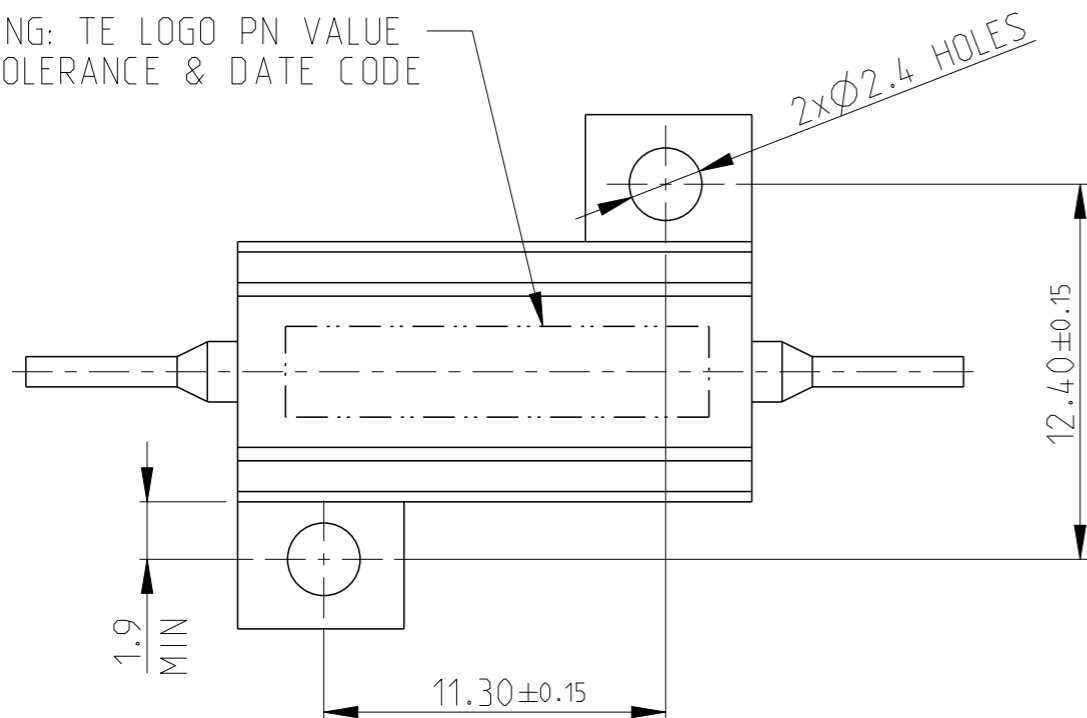


REVISIONS

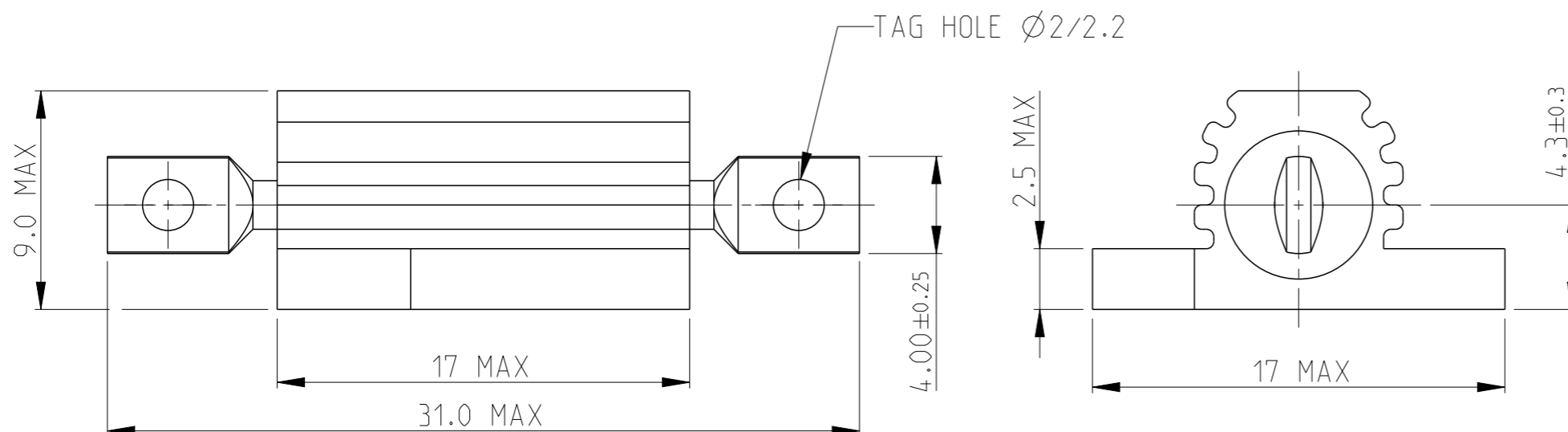
P	LTR	DESCRIPTION	DATE	DWN	APVD
	B2	Released as per ECR-09-006012	16-MAR-09	SP	JC
	B3	ECR-13-007945	14MAY2013	KR	TN
	V	ECR-16-003725	14MAR2016	KR	TN

LASER MARKING: TE LOGO PN VALUE TOLERANCE & DATE CODE

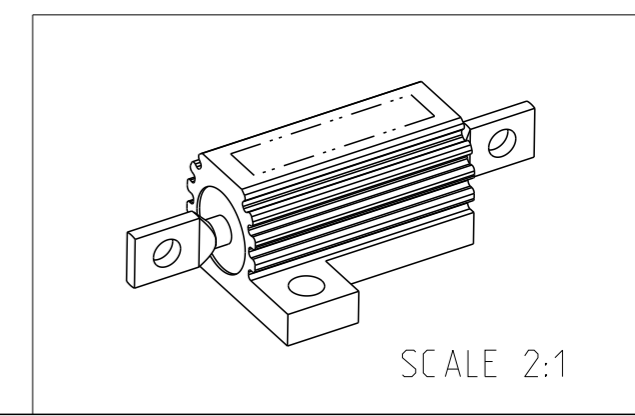




- FOR FURTHER INFORMATION SEE DATA SHEET FOR HS SERIES-ALUMINIUM HOUSED RESISTORS
- FOR A SPECIFIC PN FOR A RESISTANCE VALUE AND TOLERANCE, PLEASE REFER TO DMF
- TECHNICAL SPECIFICATION

DISSIPATION AT 25°C : 10 WATTS MOUNTED ON STD HEATSINK
 BS OHMIC RANGE : R051 TO 7KS
 STABILITY : ΔR < =1% PER 1000Hrs
 ISOLATION VOLTAGE : 1400V DC/AC pk
 MAX WORKING VOLTAGE : 150V DC/AC rms
 TEMP COEFFICIENT : > 1R0 50ppm
 > 100R 25ppm
 CLIMATIC CATEGORY : 55/200/56



RoHS Compliant



THIS DRAWING IS A CONTROLLED DOCUMENT.		DWN D KENNEDY 07.NOV.05	 TE Connectivity		
DIMENSIONS: mm		CHK J CATCHPOLE 07.NOV.05			
		APVD J CATCHPOLE 07.NOV.05	NAME HSA 5 METAL CLAD RESISTOR		
TOLERANCES UNLESS OTHERWISE SPECIFIED:		PRODUCT SPEC	-		
0 PLC ±0.5		APPLICATION SPEC	-		
1 PLC ±0.2		WEIGHT	-		
2 PLC ±0.1		CUSTOMER DRAWING	SIZE A3	CAGE CODE 00779	DRAWING NO C=1625963
3 PLC ±		SCALE	4:1		
4 PLC ±		SHEET	1 OF 1		
ANGLES ±5°		REV	V		
MATERIAL material_2		FINISH finish_spec_2	RESTRICTED TO -		

X-ON Electronics

Largest Supplier of Electrical and Electronic Components

Click to view similar products for [Wirewound Resistors - Chassis Mount](#) category:

Click to view products by [TE Connectivity](#) manufacturer:

Other Similar products are found below :

[HD300HLR71J](#) [RER50F18R7RC02](#) [RER50F7R50RC02](#) [RER75F4991MC02](#) [RH0055R000FC02W09](#) [2-1623821-6](#) [FVT200-500](#)
[RDSF010015R00JDBNI](#) [RER60F34R8RC02](#) [RER60F51R1MC0230](#) [RER65F1R50PC02](#) [RER70F62R5PC02](#) [VK100NA-200](#) [VK100NA-50](#)
[VK100NA-750](#) [40/70MJ2K00BE](#) [VP10FA-3K](#) [VP50KA-20K](#) [VPR10F1](#) [VPR10F-13.5K](#) [VPR10F-4500](#) [VPR10F-4.5K](#) [VPR10F-4K](#)
[VPR10F-700](#) [VPR10F-7.5K](#) [VPR20H150](#) [VPR5F-22.5K](#) [L75J1K0E](#) [VRH320 3K3 K](#) [RER65F2940PC02](#) [RER65F4R99RC02](#)
[RER75F1R00RC02](#) [RER65FR100RC02](#) [VPR5F-600](#) [VPR5F250](#) [VPR10F-8K](#) [VPR10F-6K](#) [VPR10F225](#) [VPR10F-1.75K](#) [VPR10F-1.25K](#)
[VPR10F-125](#) [VPR10F10](#) [VP50KA-12K](#) [VP50KA-100K](#) [VP25KA-5000](#) [VK100NA250](#) [VK100NA-15](#) [850J5R0E-B](#) [L100J150E-MT1](#)
[L50J500E-MT1](#)