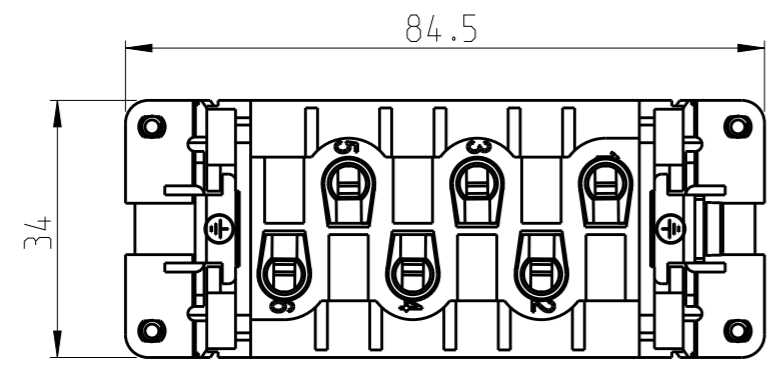
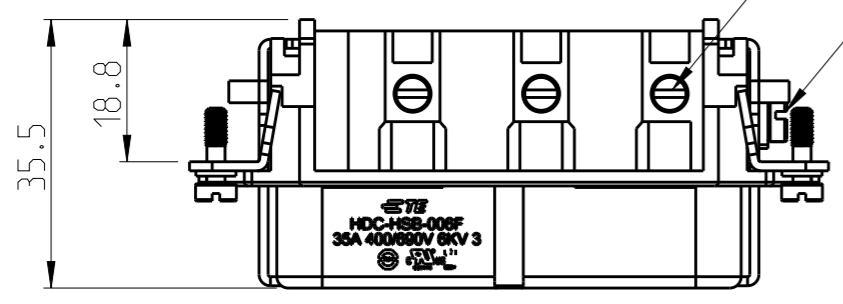


THIS DRAWING IS UNPUBLISHED. RELEASED FOR PUBLICATION 20
 © COPYRIGHT 20 BY - ALL RIGHTS RESERVED.

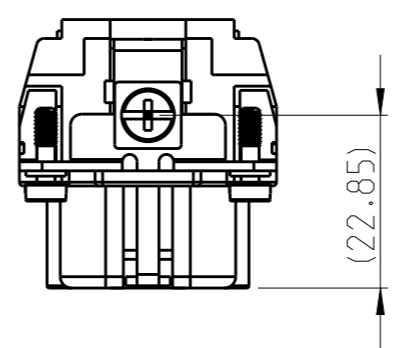
REVISIONS					
P	LTR	DESCRIPTION	DATE	DWN	APVD
A		INITIAL	25FEB2015	GY	CW
B		ECR-15-017607	03DEC2015	GY	CW



6 X M4 thread, recommended tightening torque 1.2Nm

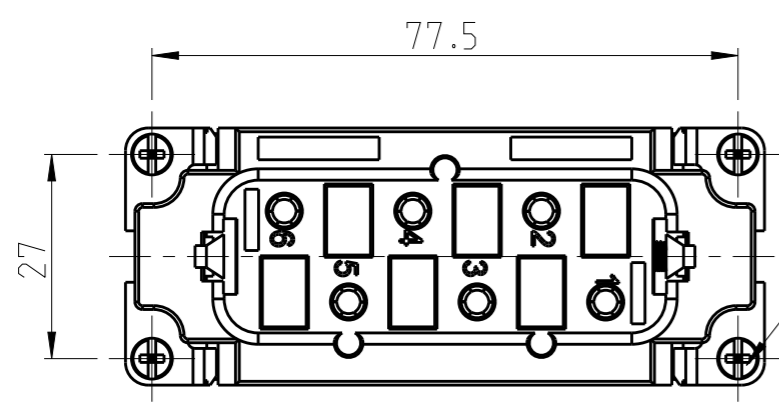


M4 thread, recommended tightening torque 1.2Nm



NOTES:

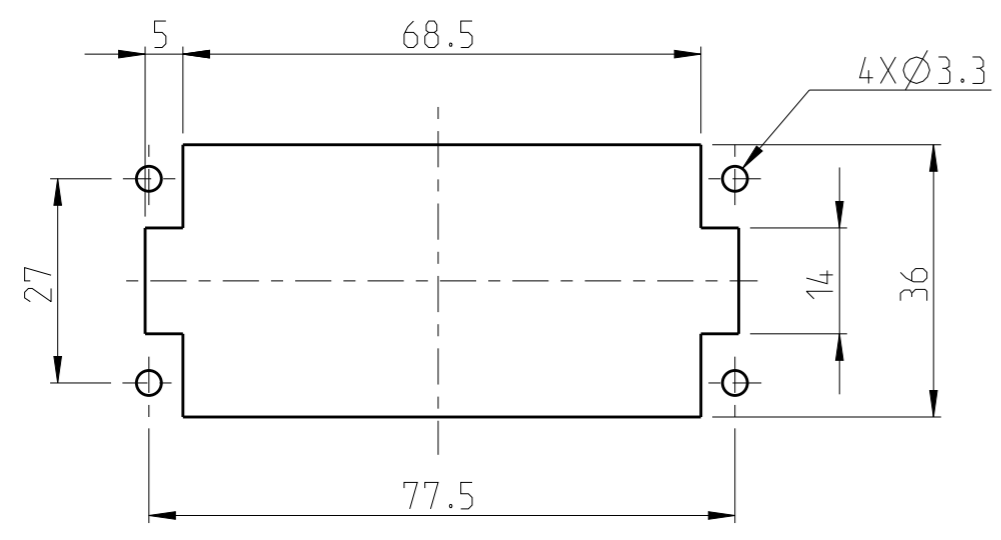
- TECHNICAL CHARACTERISTICS:
 INSULATION MATERIAL: PC(Gray)
 RATED VOLTAGE: CONDUCTOR-GROUND: 400V
 CONDUCTOR-CONDUCTOR: 690V
 RATED CURRENT: 35A
 INSULATION RESISTANCE: >=400MΩ
 RATED IMPULSE VOLTAGE: 6KV
 POLLUTION DEGREE: 3
 CONTACT RESISTANCE: <=5mΩ
 FLAMMABILITY: UL94V-0
 MATING CYCLES: 500
 OPERATION TEMPERATURE: -40°C~+125°C
 WIRE RANGE: 1.5mm²~6.0mm² (AWG16-AWG10)
 CONTACT FINISH: SILVER PLATED
 CONTACT TYPE: SCREW CLAMP (M4)



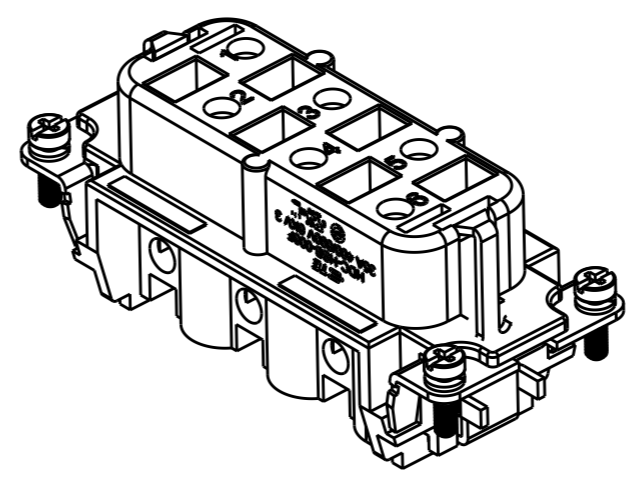
4 X M3 thread, recommended tightening torque 0.5Nm

注释:


- 技术参数:
 绝缘材料: PC(Gray)
 额定电压: 导体-地: 400V
 导体-导体: 690V
 额定电流: 35A
 绝缘电阻: >=400MΩ
 脉冲电压: 6KV
 污染等级: 3
 接触电阻: <=5 mΩ
 阻燃等级: UL94V-0
 插拔次数: 500
 工作温度: -40°C~+125°C
 接线范围: 1.5mm²~6.0mm² (AWG16-AWG10)
 端子表面处理: 镀银
 接线类型: 螺丝压接 (M4)



Panel cut out for inserts for using without hoods/housings



HSB-006-F	T20600062201-000
DESCRIPTION	PART NUMBER

THIS DRAWING IS A CONTROLLED DOCUMENT.		DWN Gino.Yao 10Dec2014	 TE Connectivity			
DIMENSIONS: mm		CHK Chris.Wang 10Dec2014				
TOLERANCES UNLESS OTHERWISE SPECIFIED:		APVD Xiang.Xu 10Dec2014				
0 PLC ± 1 PLC ± 2 PLC ± 3 PLC ± 4 PLC ± ANGLES ±		NAME HSB-006-F				
MATERIAL -		PRODUCT SPEC 108-137052	SIZE A3	CAGE CODE -	DRAWING NO. ©T20600062201000	RESTRICTED TO -
FINISH -		APPLICATION SPEC 114-137052	SCALE 1:1		SHEET 1 OF 1	REV B
Customer Drawing		WEIGHT -				

X-ON Electronics

Largest Supplier of Electrical and Electronic Components

Click to view similar products for [Headers & Wire Housings](#) category:

Click to view products by [TE Connectivity](#) manufacturer:

Other Similar products are found below :

[95000-104TRLF](#) [10135584-644402LF](#) [DF62W-EP2022PCA](#) [95000-106TRLF](#) [DF62W-2022SCA](#) [48050-002LF](#) [DF62W-EP2022PC](#) [2203348](#)
[DF62W-2022SC](#) [1084018](#) [1029039](#) [1084017](#) [802-10-012-10-002000](#) [1112640](#) [1112639](#) [891-007-9SS-BST1T](#) [000-34000](#) [0008550134](#)
[0009482033](#) [0009507031](#) [0009524054](#) [57102-F02-18ULF](#) [57102-S06-03LF](#) [57202-S52-04LF](#) [PCN6-15S-2.5E](#) [0039019024](#) [58102-G61-](#)
[06LF](#) [582553-1](#) [0009485154](#) [0009508121](#) [0022285053](#) [0050291907](#) [018731A](#) [LY20-4P-DT1-P1E-BR](#) [02.125.8002.8](#) [60101931](#) [60598-1](#)
[\(Cut Strip\)](#) [M1625-3R/100](#) [61062-3](#) [61082-181009](#) [632209-000](#) [636-1427](#) [638009-1](#) [641938-9](#) [641991-4](#) [644168-1](#) [644827-2](#) [647662-1](#)
[65039-019ELF](#) [65692-001LF](#)