

THIS DRAWING IS UNPUBLISHED.

RELEASED FOR PUBLICATION

OCT. 2005

© COPYRIGHT 2005 BY -

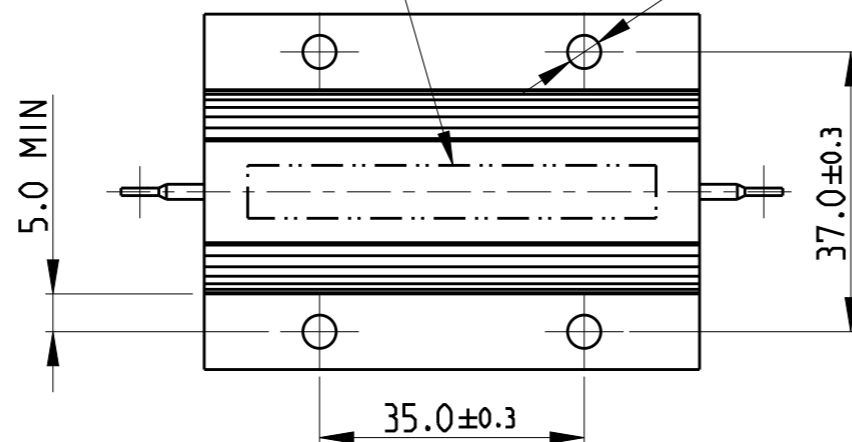
ALL RIGHTS RESERVED.

REVISIONS

P	LTR	DESCRIPTION	DATE	DWN	APVD
A1		Released as per ECR-08-022292	4-Sep-08	SP	JC
AH		ECR-16-003725	12MAR2016	KR	TN
AH1		ECR-18-019547	14DEC2018	SR	AP
AH2		ECR-19-004212	15MAR2019	SR	CB

LASER MARKING: TE LOGO PN VALUE TOLERANCE & DATE CODE

4 HOLES OF Ø4.4



1 FOR FURTHER INFORMATION SEE DATA SHEET FOR HS SERIES-ALUMINIUM HOUSED RESISTORS

2 FOR A SPECIFIC PN FOR A RESISTANCE VALUE AND TOLERANCE, PLEASE REFER TO DMF

3 TECHNICAL SPECIFICATION

DISSIPATION AT 25°C : 100 WATTS MOUNTED ON STD HEATSINK

OHMIC RANGE : R10 TO 75K

STABILITY : ΔR < =2% PER 1000Hrs

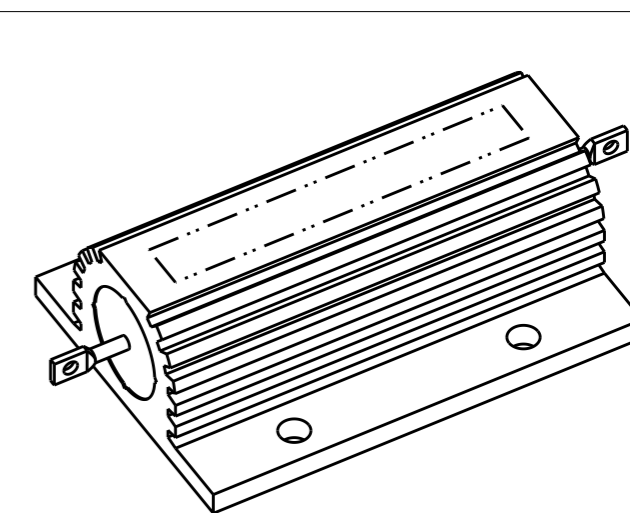
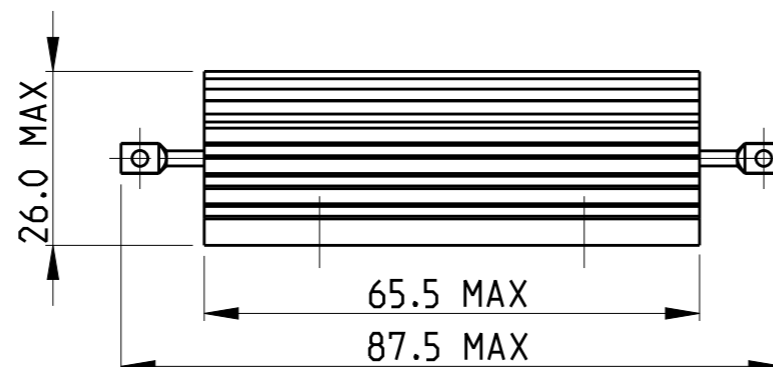
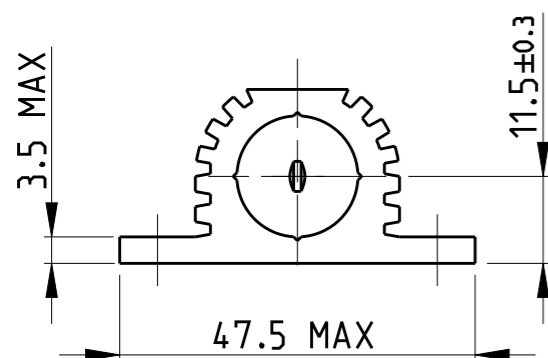
ISOLATION VOLTAGE : 3500VAC rms

MAX WORKING VOLTAGE : 1900V DC/AC rms

TEMP COEFFICIENT : > 1R0 50ppm
> 100R 25ppm

CLIMATIC CATEGORY : 55/200/56

RoHS Compliant



THIS DRAWING IS A CONTROLLED DOCUMENT.

DWN 27.SEP.05 DAVE KENNEDY

CHK 28.SEP.05 J CATCHPOLE

APVD 28.SEP.05 J CATCHPOLE

PRODUCT SPEC

APPLICATION SPEC

WEIGHT

CUSTOMER DRAWING



TE Connectivity

NAME HSC100 METAL HOUSED POWER RESISTOR

SIZE CAGE CODE DRAWING NO RESTRICTED TO

A3 00779 C-1625999

SCALE 1:1 SHEET 1 OF 1 REX AH2

DIMENSIONS:

mm



TOLERANCES UNLESS OTHERWISE SPECIFIED:

0 PLC ±0.5
 1 PLC ±0.2
 2 PLC ±0.1
 3 PLC ±
 4 PLC ±
 ANGLES 5°

MATERIAL

FINISH

X-ON Electronics

Largest Supplier of Electrical and Electronic Components

Click to view similar products for [Wirewound Resistors - Chassis Mount](#) category:

Click to view products by [TE Connectivity](#) manufacturer:

Other Similar products are found below :

[CS6600552K000B8768](#) [RER50F7R50RC02](#) [RER70F9R80RC02](#) [RER75F4991MC02](#) [RH0055R000FC02W09](#) [2-1623821-6](#)
[RBSA20008R800KGBLT](#) [RER65F1R50PC02](#) [RER70F62R5PC02](#) [VK100NA-200](#) [VK100NA-50](#) [VK100NA-750](#) [40/70MJ2K00BE](#)
[VP10FA-3K](#) [VP50KA-20K](#) [VPR10F-13.5K](#) [VPR10F-4.5K](#) [VPR10F-700](#) [VPR10F-7.5K](#) [VPR20H150](#) [VPR5F-22.5K](#) [VRH320](#) [3K3](#) [K](#)
[RER75F1R00RC02](#) [RER70F27R4P](#) [VPR5F-600](#) [VPR5F250](#) [VPR10F-8K](#) [VPR10F-6K](#) [VPR10F225](#) [VPR10F-1.75K](#) [VPR10F-1.25K](#)
[VPR10F-125](#) [VPR10F10](#) [VP50KA-12K](#) [VP50KA-100K](#) [VP25KA-5000](#) [VK100NA250](#) [VK100NA-15](#) [620-5R00-FBW](#) [850J5R0E-B](#)
[L100J150E-MT1](#) [L50J500E-MT1](#) [VPR10F-8.5K](#) [VPR10F-0.4](#) [SL130J100K-12](#) [VPR10F-12.5K](#) [F30J20R](#) [HSC1008R0F](#) [CL65J10R](#)
[L12NJ20R](#)