

REVISIONS

P	LTR	DESCRIPTION	DATE	DWN	APVD
	B2	REVISED PER ECO-11-005150	29MAR2011	RK	HMR
	W	ECR-16-003733	12MAR2016	KR	TN

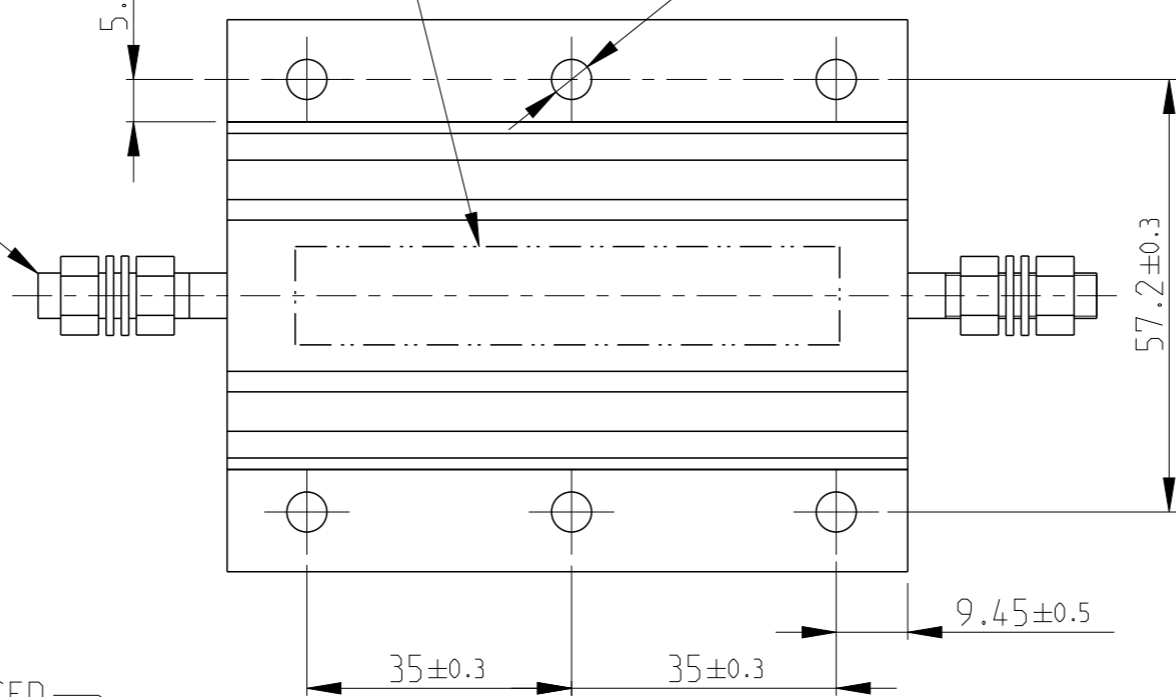
LASER MARKING: TE LOGO PN VALUE TOLERANCE & DATE CODE

M6 ST/STEEL TERMINAL STUDS. EACH SUPPLIED WITH:-
2 OFF M6 ST/STEEL FULL NUTS
2 OFF M6/STEEL PLAN WASHERS

5.6 MIN

6 HOLES Ø5.3

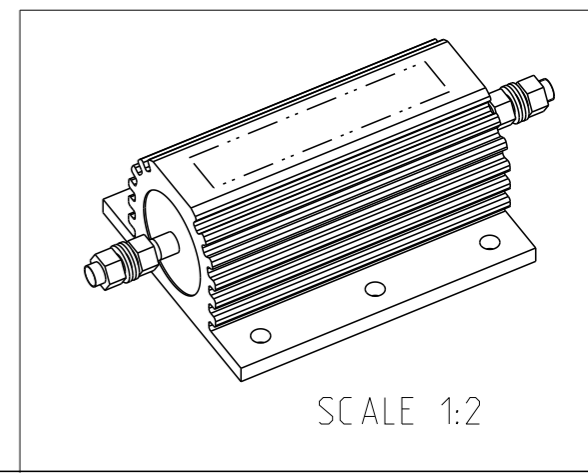
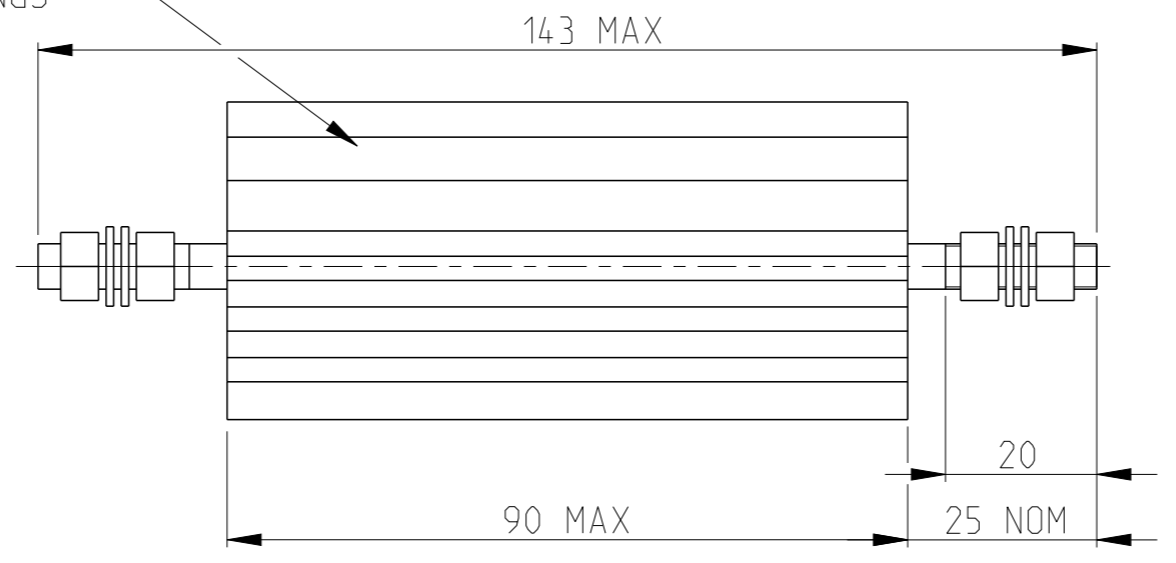
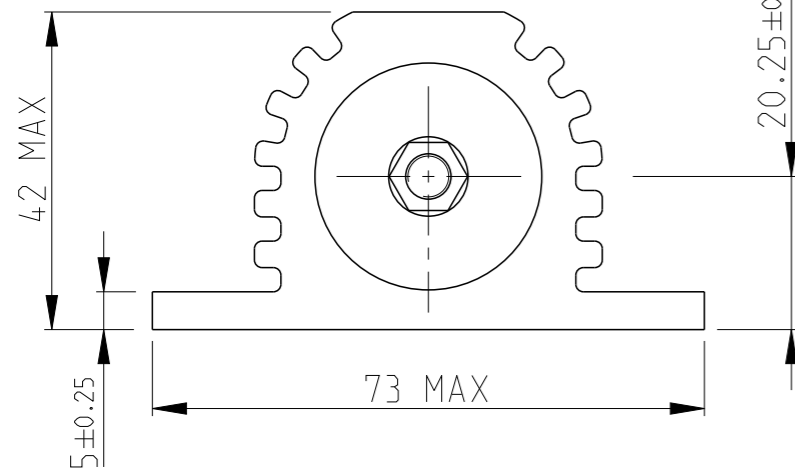
- 1 FOR FURTHER INFORMATION SEE DATA SHEET FOR HS SERIES-ALUMINIUM HOUSED RESISTORS
- 2 FOR A SPECIFIC PN FOR A RESISTANCE VALUE AND TOLERANCE, PLEASE REFER TO DMF



GOLD ANODISED ALUMINIUM HOUSINGS

HSC200 ALUMINIUM HOUSED POWER RESISTOR

RoHS Compliant



THIS DRAWING IS A CONTROLLED DOCUMENT.		DWN	L LUONG	10.MAR.03
DIMENSIONS: mm		CHK	J CATCHPOLE	10.MAR.03
TOLERANCES UNLESS OTHERWISE SPECIFIED:		APVD	J CATCHPOLE	10.MAR.03
0 PLC	±0.5	PRODUCT SPEC		
1 PLC	±0.2	APPLICATION SPEC		
2 PLC	±0.1	WEIGHT		
3 PLC	±	CUSTOMER DRAWING		
4 PLC	±	SCALE 1:1		
ANGLES	±5°	SHEET 1 OF 1		
MATERIAL	material_2	REV W		
FINISH	finish_spec_2			

STE TE Connectivity

NAME: HSC200 ALUMINIUM HOUSED POWER RESISTOR

SIZE: A3 CAGE CODE: 00779 DRAWING NO: C-1630019 RESTRICTED TO: -

X-ON Electronics

Largest Supplier of Electrical and Electronic Components

Click to view similar products for [Wirewound Resistors - Chassis Mount](#) category:

Click to view products by [TE Connectivity](#) manufacturer:

Other Similar products are found below :

[HD300HLR71J](#) [RER50F18R7RC02](#) [RER50F7R50RC02](#) [RER75F4991MC02](#) [RH0055R000FC02W09](#) [2-1623821-6](#) [FVT200-500](#)
[RDSF010015R00JDBNI](#) [RER60F34R8RC02](#) [RER60F51R1MC0230](#) [RER65F1R50PC02](#) [RER70F62R5PC02](#) [VK100NA-200](#) [VK100NA-50](#)
[VK100NA-750](#) [40/70MJ2K00BE](#) [VP10FA-3K](#) [VP50KA-20K](#) [VPR10F1](#) [VPR10F-13.5K](#) [VPR10F-4500](#) [VPR10F-4.5K](#) [VPR10F-4K](#)
[VPR10F-700](#) [VPR10F-7.5K](#) [VPR20H150](#) [VPR5F-22.5K](#) [L75J1K0E](#) [VRH320 3K3 K](#) [RER65F2940PC02](#) [RER75F1R00RC02](#)
[RER70F27R4P](#) [VPR5F-600](#) [VPR5F250](#) [VPR10F-8K](#) [VPR10F-6K](#) [VPR10F225](#) [VPR10F-1.75K](#) [VPR10F-1.25K](#) [VPR10F-125](#) [VPR10F10](#)
[VP50KA-12K](#) [VP50KA-100K](#) [VP25KA-5000](#) [VK100NA250](#) [VK100NA-15](#) [620-5R00-FBW](#) [L100J150E-MT1](#) [L50J500E-MT1](#) [VPR10F-8.5K](#)